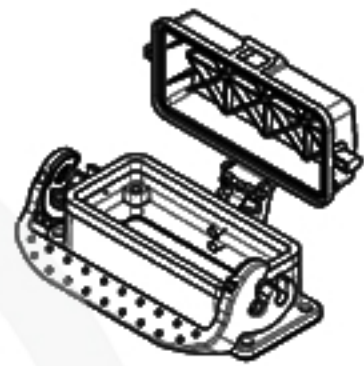
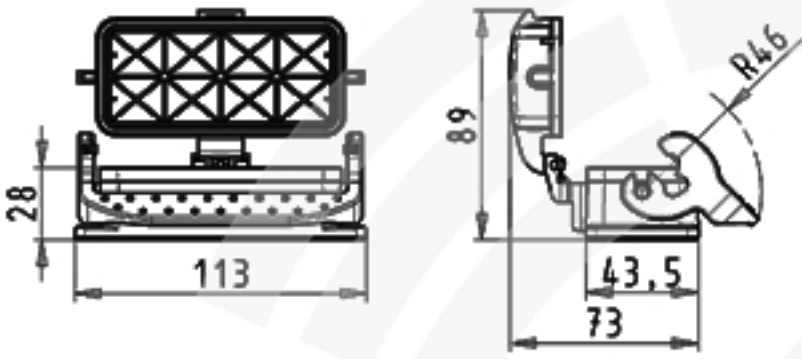


These dimensions will be regularly checked at delivery  
 Any negative tolerance

These data written for standard dimensions apply  
 Ausgabedaten für Standard

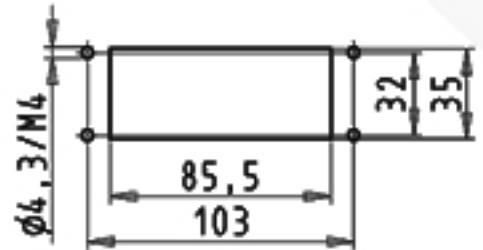


All rights reserved. No part of this publication may be reproduced, stored in a retrieval system, or transmitted, in any form or by any means, electronic, mechanical, photocopying, recording, or by any information storage and retrieval system, without the prior written permission of the publisher.

71.325.1628.0	BAS GUT GP 16	A
Bestellnummer /Order number	Typ /Type	

Weitere Daten siehe KATALOG oder eCatalog. [www.wieland-electric.com](http://www.wieland-electric.com)  
 Additional data see CATALOG or eCatalog. [eshop.wieland-electric.com](http://eshop.wieland-electric.com)

**Bohrbild  
/Cut out**



Fertigerlegung Size ISO 15025/Tolerance system Size ISO 15025 (This ISO-standard describes the envelope principle. According to the envelope principle the deviations of form and parallelism are limited by the size tolerances.)		pages 08 Stahlverbote- und Bleihaltverbot nach ISO 100-05/01 ist anzuwenden. Conformity with Wieland document 00-100-05/01 List of prohibited / delectable hazardous substances to be declared	
Präzision nach General tolerance	CO - Zeichnung, keine massiven Änderungen CO - drawing, no mass modifications allowed	Verwendung: First Use:	Blatt: 1 von 1 Sheet: 1 of 1
Werkstoff/Material	2013 TopDate Name 27.08. Revision	Zeichnung Nr./Drawing No. <b>71.325.1628.0 13K</b>	
Maßstab 1:2	Vol.	Maß in millimetern are in mm	
Ersatz für/Replacement for:	Type <b>rev05</b> BASIC	<b>GEHAUSEUNTERTEIL</b> Baugröße 16 offen Housing size 16 open	
Änderung/Revision	<b>wieland</b> Elektrische Verbindungen		

Tel: +98 21 88505119  
 www.shairad-sanat.com

Fax: +98 21 88505102  
 info@shairad-sanat.com