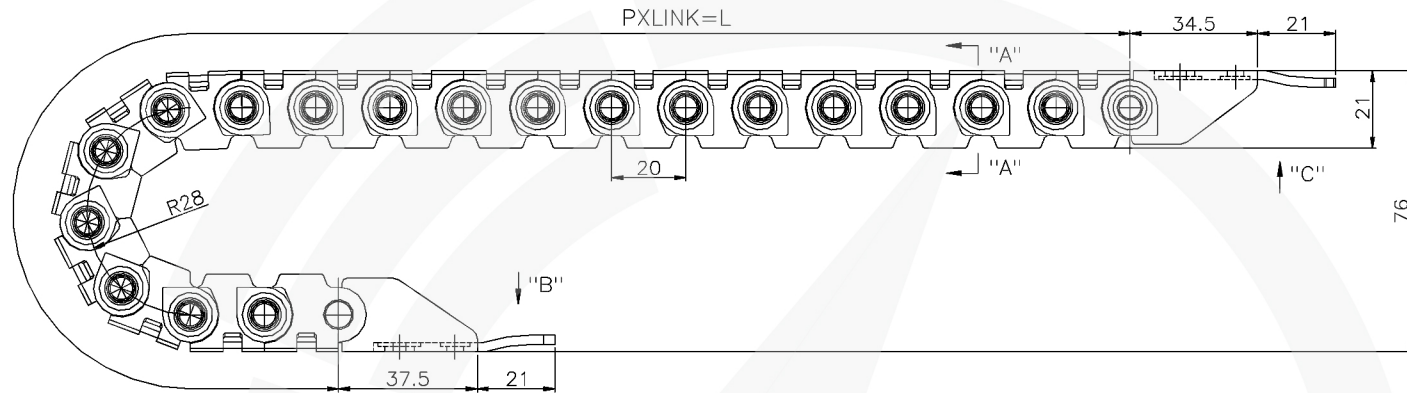
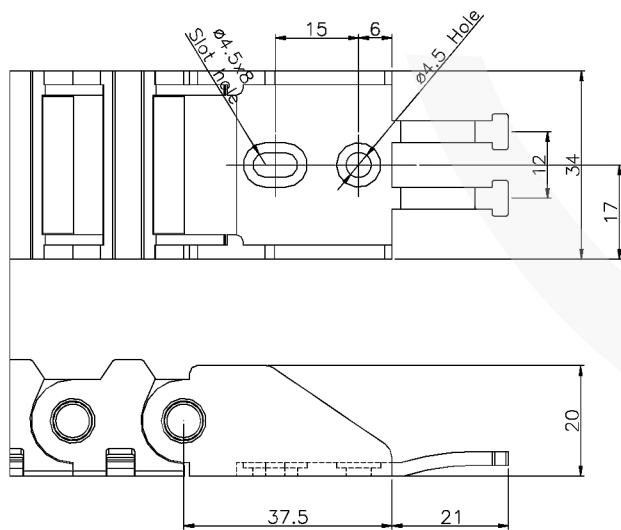


KDP20 W25 R28

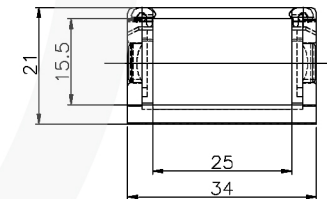
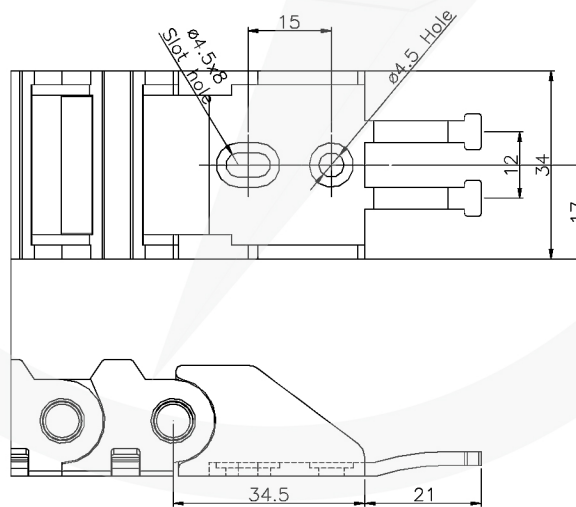
MARK	DATE	REVISION	REASON	SIGNATURE
1				
2				



VIEW-B
FIXED BRACKET(S=1.5:1)



VIEW-C
MOVING BRACKET(S=1.5:1)



SECTION A-A (S=1.5:1)

NAME	PROJECT CABLE VEYOR			
	TITLE KDP20 W25 R28		DATE 2010.09.09	
D.W.G	D.S.G.N	SCALE	DWG NO.	SHEET NO.
Y.G.NOH		1/2	KD-1009-09-006	06 / 16
G.H.K	APP.D S.K.LEE			
KODUCT CO.,Ltd				