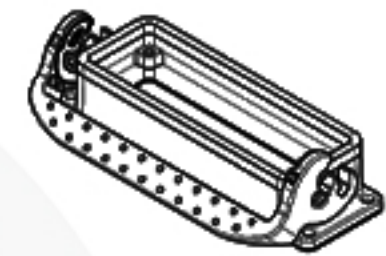
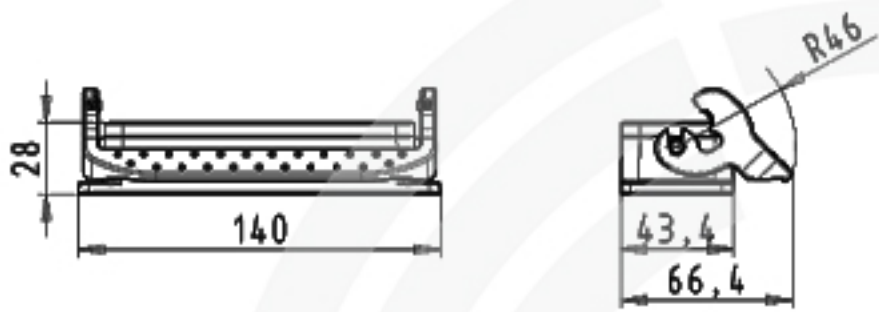


These dimensions will be especially checked at delivery  
 Bitte besonders überprüfen  
 Diese Maße werden bei Lieferung besonders geprüft

These dimensions will be especially checked at delivery  
 Bitte besonders überprüfen  
 Diese Maße werden bei Lieferung besonders geprüft

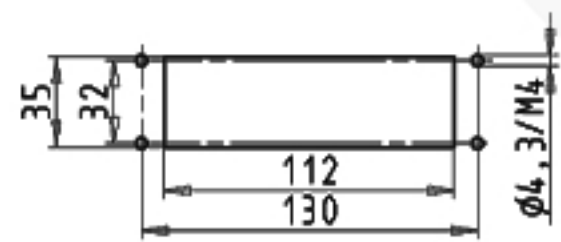


Zeichnung nach: **Wieland Electric**, **Germany**, **Germany**, **Germany**  
 Drawing according to: **Wieland Electric**, **Germany**, **Germany**, **Germany**  
 The drawing is subject to change without notice. The manufacturer is not liable for any damage caused by the use of the drawing.

71.320.2428.0	BAS GJT GK 24 A
Bestellnummer / Order number	Typ / Type

Weitere Daten siehe KATALOG oder eKatalog. [www.wieland-electric.com](http://www.wieland-electric.com)  
 Additional data see CATALOG or eCatalog. [eshop.wieland-electric.com](http://eshop.wieland-electric.com)

Bohrbild / Cut out



Zeichnung Size 150 (A4) / Drawing Size 150 (A4) (This ISO-standard describes the envelope principle. According to the envelope principle the deviations of form and parallelism are limited by the size tolerances).		je/yes 00 (Drill/bores- and Bore/functional size) nach UP-TM-05/03 ist einzuhalten. Conformity with Wieland document 00-TM-05/03 (list of prohibited / declarable bore/bores) is to be declared!																	
Fixtoleranz nach General tolerance OD - Zeichnung, keine manuellen Änderungen OD - drawing, no manual modifications allowed	E-System/eng: - First last: -	Blatt 1 von 1 Zeichnung Nr./Drawing No. 71.320.2428.0 13K Note to modifications: see in m																	
<table border="1"> <tr> <th>Material/Material</th> <th>2013</th> <th>Tag/Date</th> <th>Base</th> </tr> <tr> <td>Aluminium</td> <td>28.06.</td> <td>Overlock</td> <td></td> </tr> <tr> <td>beschichtet/coated</td> <td>-</td> <td>-</td> <td></td> </tr> <tr> <td>grün/gray</td> <td>-</td> <td>-</td> <td></td> </tr> </table>	Material/Material	2013	Tag/Date	Base	Aluminium	28.06.	Overlock		beschichtet/coated	-	-		grün/gray	-	-		Note to modifications: see in m		
Material/Material	2013	Tag/Date	Base																
Aluminium	28.06.	Overlock																	
beschichtet/coated	-	-																	
grün/gray	-	-																	
wieland <b>revoS</b> BASIC GEHÄUSEUNTERTEIL Größe 24 offen Open housing size 24																			

Tel: +98 21 88505119  
 www.shairad-sanat.com

Fax: +98 21 88505102  
 info@shairad-sanat.com