

# Product data sheet

## Miniature connectors

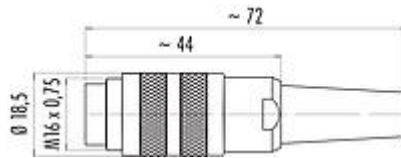


|                     |   |
|---------------------|---|
| Product description | M16 IP40 Male cable connector, Contacts: 24, 6.0 - 8.0 mm, shieldable, solder, IP40 |
| Area                | M16 IP40 series 581   |
| Part no.            | 99 2045 02 24   |

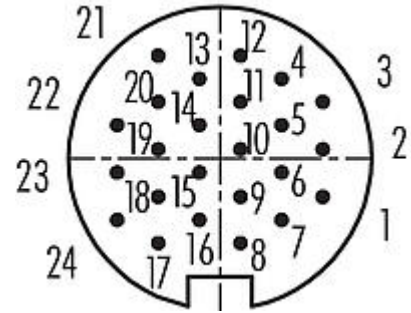
### Illustration



### Scale drawing



### Contact arrangement (Plug-in side)



You can find the assembly instructions on the next page.

### Technical data

#### General features

|                                  |                               |
|----------------------------------|-------------------------------|
| Part no.                         | 99 2045 02 24                 |
| Connector design                 | Male cable connector          |
| Version                          | male straight                 |
| Connector locking system         | screw                         |
| Termination                      | solder                        |
| Degree of protection             | IP40                          |
| Cross-sectional area             | 0.14 mm <sup>2</sup> / AWG 26 |
| Cable outlet                     | 6.0 - 8.0 mm                  |
| Temperature range from/to        | -40 °C / 85 °C                |
| Tightening torque pressing screw | 0.6-0.8 Nm                    |
| Mechanical operation             | > 500 Mating cycles           |
| Weight (g)                       | 24.96                         |
| Customs tariff number            | 85369010                      |

#### Electrical parameters

|                           |                      |
|---------------------------|----------------------|
| Rated voltage             | 60 V                 |
| Rated impulse voltage     | 500 V                |
| Rated current (40 °C)     | 1,0 A                |
| Insulation resistance     | ≥ 10 <sup>10</sup> Ω |
| Pollution degree          | 1                    |
| Overvoltage category      | I                    |
| Insulating material group | III                  |
| EMC compliance            | shieldable           |
| Shield connection         | Soldering lug        |

# Product data sheet

## Miniature connectors



|                     |   |
|---------------------|---|
| Product description | M16 IP40 Male cable connector, Contacts: 24, 6.0 - 8.0 mm, shieldable, solder, IP40 |
| Area                | M16 IP40 series 581   |
| Part no.            | 99 2045 02 24   |

### Material

|                       |                           |
|-----------------------|---------------------------|
| Contact body material | PBT (UL94 V-0)            |
| Contact material      | CuZn (brass)              |
| Contact plating       | Au (gold)                 |
| REACH SVHC            | CAS 7439-92-1 (Lead)      |
| SCIP number           | SCIP-number not available |

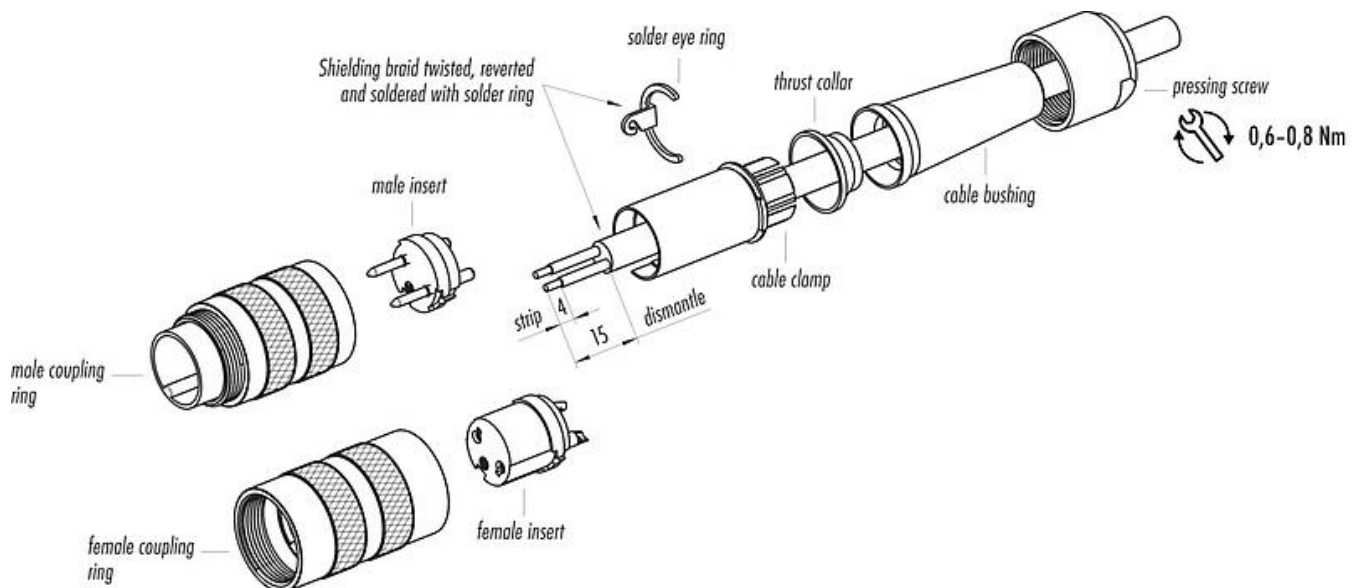
### Classifications

|             |             |
|-------------|-------------|
| eCl@ss 11.1 | 27-44-01-02 |
| ETIM 7.0    | EC002635    |

### Declarations of conformity

|                       |  |
|-----------------------|--|
| Low Voltage Directive | 2014/35/EU (EN 60204-1:2018;EN 60529:1991) |
|-----------------------|--|

### Assembly instructions



# Product data sheet

## Miniature connectors



|                     |  |
|---------------------|--|
| Product description | <b>M16 IP40 Male cable connector, Contacts: 24, 6.0 - 8.0 mm, shieldable, solder, IP40</b> |
| Area                | <b>M16 IP40 series 581</b>   |
| Part no.            | <b>99 2045 02 24</b>   |

### Security notices

The connectors have been developed for applications in plant engineering, control and electrical equipment construction. The user is responsible for checking whether the connectors can also be used in other areas of application.

To lock the cable connector with the device connector, the threaded ring is tightened "hand-tight" (approx. 50 cNm).