

# Product data sheet

## Miniature connectors

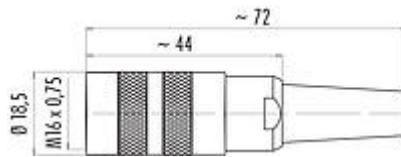


Product description	M16 IP40 Female cable connector, Contacts: 5 (stereo), 4.0 - 6.0 mm, shieldable, solder, IP40
Area	M16 IP40 series 581
Part no.	99 2018 00 05

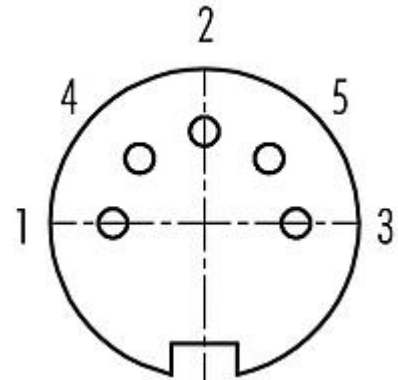
### Illustration



### Scale drawing



### Contact arrangement (Plug-in side)



You can find the assembly instructions on the next page.

## Technical data

### General features

Part no.	99 2018 00 05
Connector design	Female cable connector
Version	female straight
Connector locking system	screw
Termination	solder
Degree of protection	IP40
Cross-sectional area	max. 0.75 mm <sup>2</sup> / AWG 18
Cable outlet	4.0 - 6.0 mm
Temperature range from/to	-40 °C / 85 °C
Tightening torque pressing screw	0.6-0.8 Nm
Mechanical operation	> 500 Mating cycles
Weight (g)	28.26
Customs tariff number	85369010

### Electrical parameters

Rated voltage	60 V
Rated impulse voltage	500 V
Rated current (40 °C)	6,0 A
Insulation resistance	≥ 10 <sup>10</sup> Ω
Pollution degree	1
Overvoltage category	I
Insulating material group	III

# Product data sheet

## Miniature connectors



Product description	M16 IP40 Female cable connector, Contacts: 5 (stereo), 4.0 - 6.0 mm, shieldable, solder, IP40
Area	M16 IP40 series 581
Part no.	99 2018 00 05

EMC compliance	shieldable
Shield connection	Soldering lug

### Material

Contact body material	PBT (UL94 V-0)
Contact material	CuSn (bronze)
Contact plating	Ag (silver)
REACH SVHC	CAS 7439-92-1 (Lead)
SCIP number	a5f683e9-5033-410e-aa77-6483927509a1

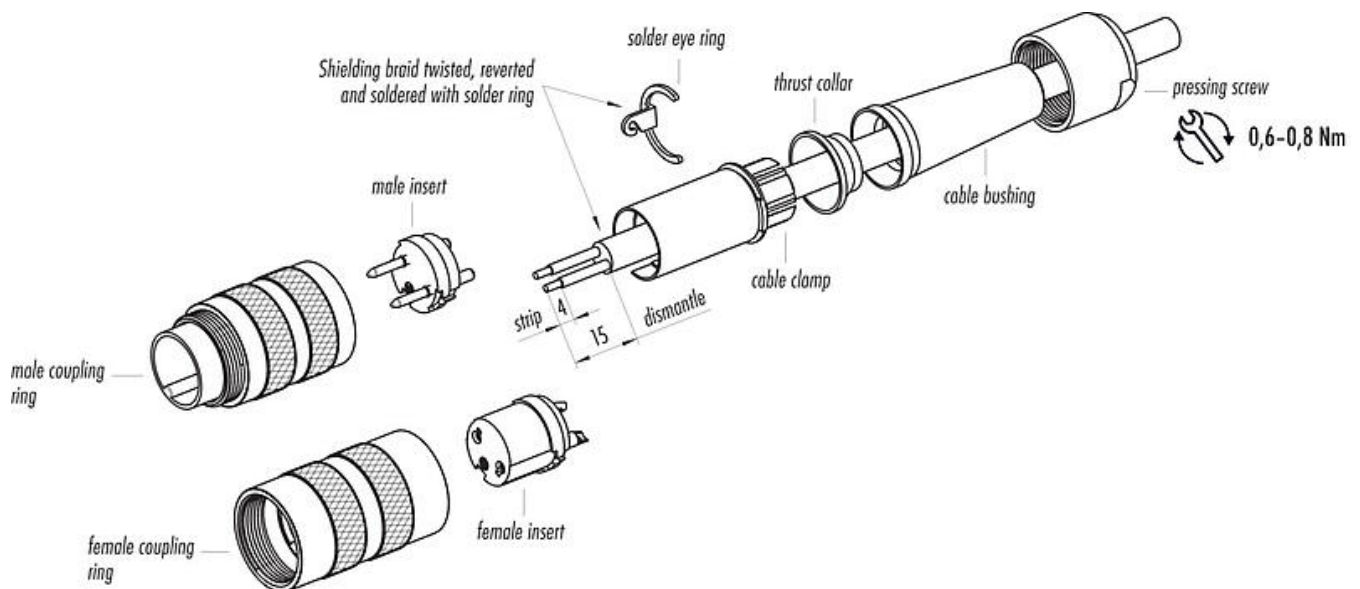
### Classifications

eCl@ss 11.1	27-44-01-02
ETIM 7.0	EC002635

### Declarations of conformity

Low Voltage Directive	2014/35/EU (EN 60204-1:2018;EN 60529:1991)
-----------------------	--

### Assembly instructions



# Product data sheet

## Miniature connectors



Product description	M16 IP40 Female cable connector, Contacts: 5 (stereo), 4.0 - 6.0 mm, shieldable, solder, IP40
Area	M16 IP40 series 581
Part no.	99 2018 00 05

### Security notices

The connectors have been developed for applications in plant engineering, control and electrical equipment construction. The user is responsible for checking whether the connectors can also be used in other areas of application.

To lock the cable connector with the device connector, the threaded ring is tightened "hand-tight" (approx. 50 cNm).