

# Product data sheet

## Miniature connectors

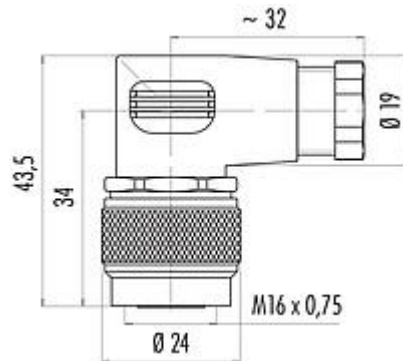


Product description	M16 IP67 female angled connector, Contacts: 8 DIN, 6.0 - 8.0 mm, unshielded, solder, IP67
Area	M16 IP67 series 723
Part no.	99 0172 75 08

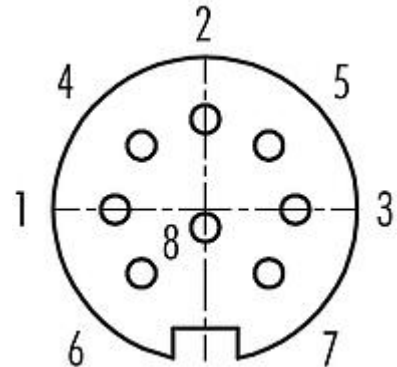
### Illustration



### Scale drawing



### Contact arrangement (Plug-in side)



You can find the assembly instructions on the next page.

### Technical data

#### General features

Part no.	99 0172 75 08
Connector design	female angled connector
Version	female angled
Connector locking system	screw
Termination	solder
Degree of protection	IP67
Cross-sectional area	max. 0.75 mm <sup>2</sup> / AWG 18
Cable outlet	6.0 - 8.0 mm
Twistability	90° (4 coding options)
Temperature range from/to	-40 °C / 95 °C
Tightening torque locking	0,4 - 0,5 Nm
Tightening torque pressing screw	0.7 - 0.9 Nm
Mechanical operation	> 500 Mating cycles
Weight (g)	39.97
Customs tariff number	85369010

#### Electrical parameters

Rated voltage	60 V
Rated impulse voltage	500 V
Rated current (40 °C)	5,0 A
Insulation resistance	≥ 10 <sup>10</sup> Ω
Pollution degree	1

# Product data sheet

## Miniature connectors



Product description **M16 IP67 female angled connector, Contacts: 8 DIN, 6.0 - 8.0 mm, unshielded, solder, IP67**

Area **M16 IP67 series 723**  
Part no. **99 0172 75 08**

Overvoltage category I  
Insulating material group III  
EMC compliance unshielded

### Material

Housing material PA  
Contact body material PBT (UL94 V-0)  
Contact material CuSn (bronze)  
Contact plating Ag (silver)  
REACH SVHC CAS 96-45-7 (Imidazolidine-2-thione)  
CAS 7439-92-1 (Lead)  
SCIP number 051bd3fd-356b-4ef4-9788-396475655153

### Classifications

eCl@ss 11.1 27-44-01-02  
ETIM 7.0 EC002635

### Declarations of conformity

Low Voltage Directive 2014/35/EU (EN 60204-1:2018;EN 60529:1991)

# Product data sheet

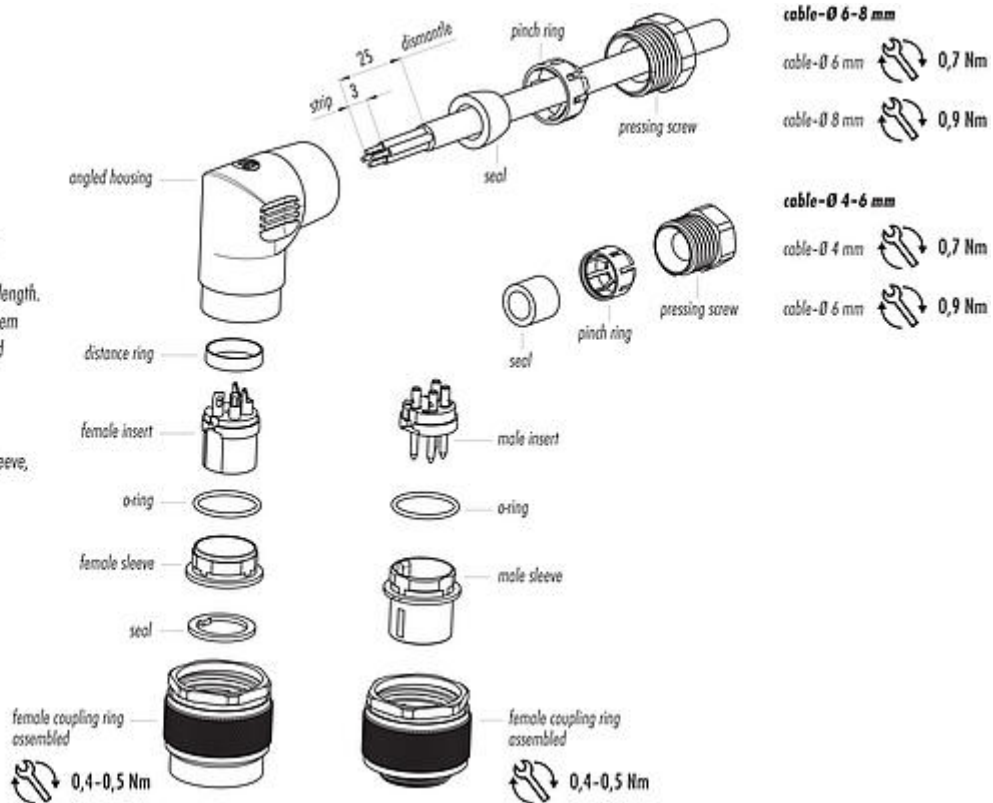
## Miniature connectors

Product description M16 IP67 female angled connector, Contacts: 8 DIN, 6.0 - 8.0 mm, unshielded, solder, IP67

Area M16 IP67 series 723  
Part no. 99 0172 75 08

### Assembly instructions

1. Bead pressing screw, pinch ring and seal to cable.
2. Dismantle cable to 25 mm length.
3. Strip single wires, thread them through angled housing and solder single wires.
4. Tighten pressing screw.
5. Fit o-ring onto sleeve.
6. Mount contact insert and sleeve, tighten coupling ring.



Product description	<b>M16 IP67 female angled connector, Contacts: 8 DIN, 6.0 - 8.0 mm, unshielded, solder, IP67</b>
Area	<b>M16 IP67 series 723</b>
Part no.	<b>99 0172 75 08</b>

### **Security notices**

The connectors have been developed for applications in plant engineering, control and electrical equipment construction. The user is responsible for checking whether the connectors can also be used in other areas of application.

Plug connectors with enclosure protection IP 67 and IP 68 are not suitable for use under water. When used outdoors, the plug connectors must be protected separately against corrosion. For further information on the IP protection classes, please refer to the "Technical Information" download centre.

To lock the cable connector with the device connector, the threaded ring is tightened "hand-tight" (approx. 50 cNm).