

# Product data sheet

## Miniature connectors

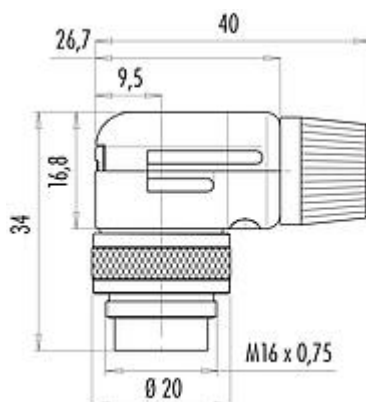


Product description	M16 IP40 Male angled connector, Contacts: 5, 6.0 - 8.0 mm, shieldable, solder, IP40
Area	M16 IP40 series 682
Part no.	99 0139 12 05

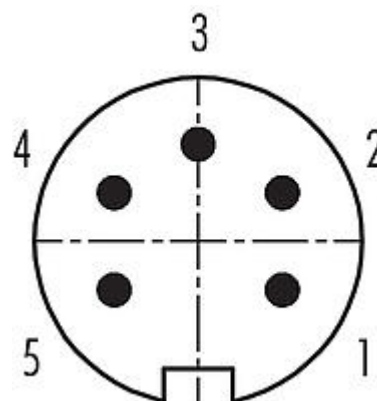
### Illustration



### Scale drawing



### Contact arrangement (Plug-in side)



You can find the assembly instructions on the next page.

## Technical data

### General features

Part no.	99 0139 12 05
Connector design	Male angled connector
Version	male angled
Connector locking system	screw
Termination	solder
Degree of protection	IP40
Cross-sectional area	max. 0.75 mm <sup>2</sup> / AWG 18
Cable outlet	6.0 - 8.0 mm
Twistability	90 ° (4 coding options)
Temperature range from/to	-40 °C / 85 °C
Tightening torque pressing screw	0.4 Nm
Mechanical operation	> 1000 Mating cycles
Weight (g)	34.96
Customs tariff number	85369010

### Electrical parameters

Rated voltage	250 V
Rated impulse voltage	1500 V
Rated current (40 °C)	6,0 A
Insulation resistance	≥ 10 <sup>10</sup> Ω
Pollution degree	1
Overvoltage category	I

# Product data sheet

## Miniature connectors



Product description **M16 IP40 Male angled connector, Contacts: 5, 6.0 - 8.0 mm, shieldable, solder, IP40**

Area **M16 IP40 series 682**  
Part no. **99 0139 12 05**

Insulating material group **III**  
EMC compliance **shieldable**  
Shield connection **cable clamp**

### Material

Housing material **Zinc die-cast nickel-plated**  
Contact body material **PBT (UL94 V-0)**  
Contact material **CuZn (brass)**  
Contact plating **Ag (silver)**  
REACH SVHC **CAS 7439-92-1 (Lead)**  
SCIP number **SCIP-number not available**

### Classifications

eCl@ss 11.1 **27-44-01-02**  
ETIM 7.0 **EC002635**

### Declarations of conformity

Low Voltage Directive **2014/35/EU (EN 60204-1:2018;EN 60529:1991)**

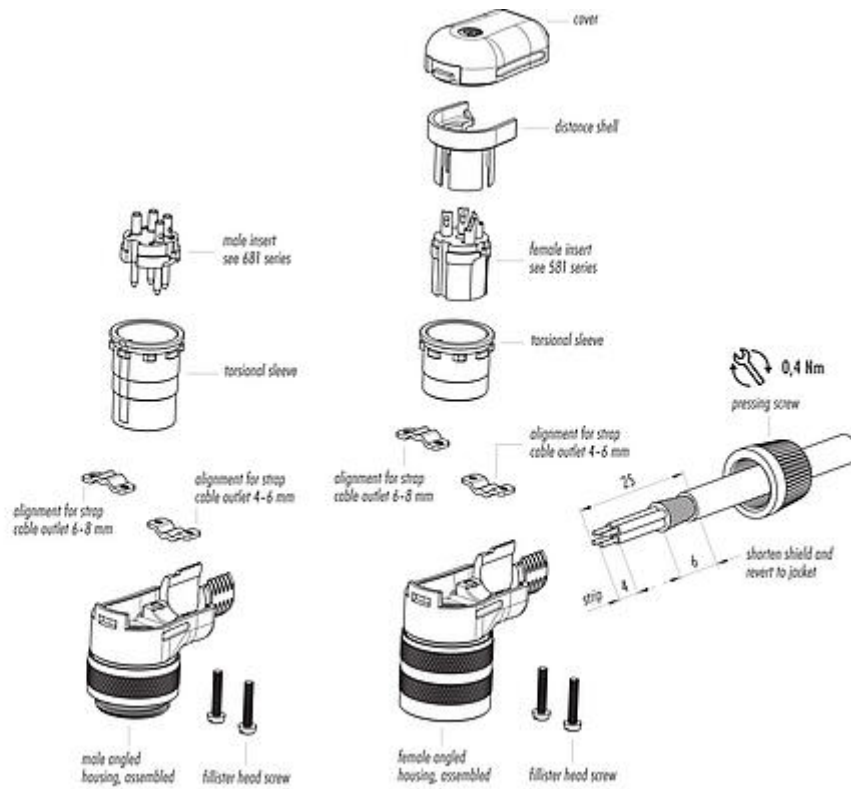
# Product data sheet

## Miniature connectors

Product description	M16 IP40 Male angled connector, Contacts: 5, 6.0 - 8.0 mm, shieldable, solder, IP40
Area	M16 IP40 series 682
Part no.	99 0139 12 05

### Assembly instructions

1. Bead pressing screw to cable.
2. Dismantle cable to 25 mm length.
3. Strip single wires, shorten shield and fold over jacket.
4. Solder single wires.
5. Mount torsional sleeve, contact insert and distance shell.
6. Fold cable over and mount strap (with cable outlet 6-8 mm rotated by 180°).
7. Mount cover and tighten pressing screw.



Product description	<b>M16 IP40 Male angled connector, Contacts: 5, 6.0 - 8.0 mm, shieldable, solder, IP40</b>
Area	<b>M16 IP40 series 682</b>
Part no.	<b>99 0139 12 05</b>

## Security notices

The connector must not be plugged or unplugged under load. Non-observance and improper use can result in personal injury.

The connectors have been developed for applications in plant engineering, control and electrical equipment construction. The user is responsible for checking whether the connectors can also be used in other areas of application.

To protect against unintentional opening of the connector, the thread between the housing and the connector head must be secured with a suitable cyanoacrylate adhesive when used in circuits with voltages dangerous to the touch. This does not apply to connectors used in SELV and PELV circuits according to IEC 61140 (EN 61140, VDE 0140-1).

Connectors which are used in circuits with voltages dangerous to the touch may only be installed and used by, or under the supervision of, persons with electrical engineering training, taking into account the applicable regulations and standards.

The plug connector is not suitable for mains voltages. Please observe the pollution degree and the overvoltage category. For further information, please refer to the download center "Technical Information".

To lock the cable connector with the device connector, the threaded ring is tightened "hand-tight" (approx. 50 cNm).