

# Product data sheet

## Miniature connectors

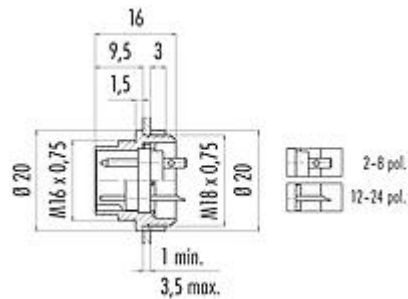


Product description	M16 IP40 Male panel mount connector, Contacts: 7 DIN, unshielded, solder, IP40
Area	M16 IP40 series 680
Part no.	09 1583 00 07

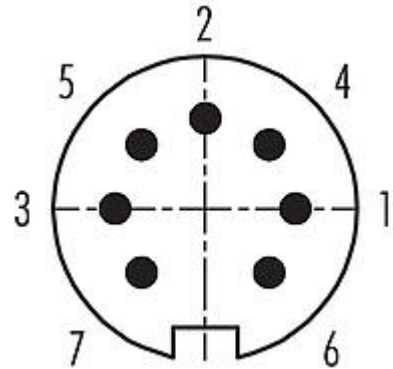
### Illustration



### Scale drawing



### Contact arrangement (Plug-in side)



You can find the assembly instructions on the next page.

### Technical data

#### General features

Part no.	09 1583 00 07
Connector design	Male panel mount connector
Version	male straight
Connector locking system	screw
Termination	solder
Degree of protection	IP40
Cross-sectional area	0.75 mm <sup>2</sup> / AWG 18
Temperature range from/to	-40 °C / 85 °C
Tightening torque screw nut	0.5-1 Nm
Mechanical operation	> 500 Mating cycles
Weight (g)	11.45
Customs tariff number	85369010

#### Electrical parameters

Rated voltage	60 V
Rated impulse voltage	500 V
Rated current (40 °C)	5,0 A
Insulation resistance	≥ 10 <sup>10</sup> Ω
Pollution degree	1
Overvoltage category	I
Insulating material group	III
EMC compliance	unshielded

# Product data sheet

## Miniature connectors



Product description	M16 IP40 Male panel mount connector, Contacts: 7 DIN, unshielded, solder, IP40
Area	M16 IP40 series 680
Part no.	09 1583 00 07

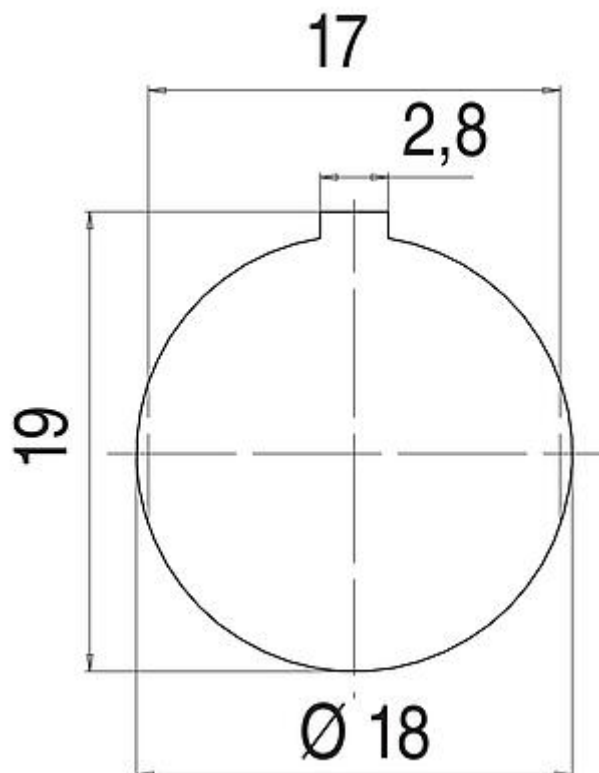
### Material

Housing material	Zinc die-cast nickel-plated
Contact body material	PBT (UL94 V-0)
Contact material	CuZn (brass)
Contact plating	Ag (silver)
REACH SVHC	CAS 7439-92-1 (Lead)
SCIP number	SCIP-number not available

### Classifications

eCl@ss 11.1	27-44-01-09
ETIM 7.0	EC003569

### Assembly instructions / Panel cut-out



# Product data sheet

## Miniature connectors



Product description	M16 IP40 Male panel mount connector, Contacts: 7 DIN, unshielded, solder, IP40
Area	M16 IP40 series 680
Part no.	09 1583 00 07

### Security notices

The connectors have been developed for applications in plant engineering, control and electrical equipment construction. The user is responsible for checking whether the connectors can also be used in other areas of application.