

Product data sheet

Miniature connectors

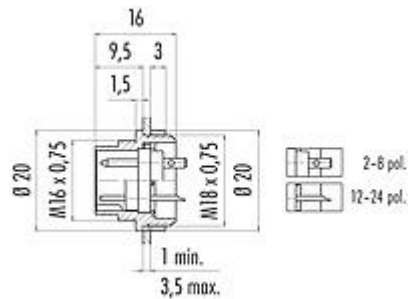


Product description	M16 IP40 Male panel mount connector, Contacts: 8 DIN, unshielded, solder, IP40
Area	M16 IP40 series 680
Part no.	09 0473 00 08

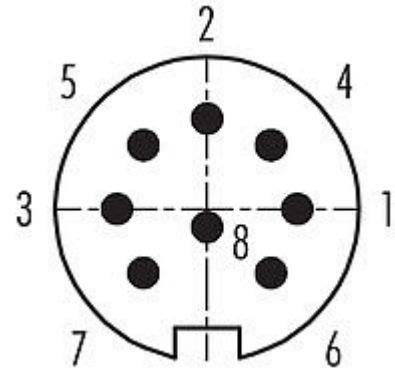
Illustration



Scale drawing



Contact arrangement (Plug-in side)



You can find the component part drawing and assembly instructions on the next page.

Technical data

General features

Part no.	09 0473 00 08
Connector design	Male panel mount connector
Version	male straight
Connector locking system	screw
Termination	solder
Degree of protection	IP40
Cross-sectional area	0.75 mm ² / AWG 18
Temperature range from/to	-40 °C / 85 °C
Tightening torque screw nut	1.0 Nm
Mechanical operation	> 500 Mating cycles
Weight (g)	11.68
Customs tariff number	85369010

Electrical parameters

Rated voltage	60 V
Rated impulse voltage	500 V
Rated current (40 °C)	5,0 A
Insulation resistance	≥ 10 ¹⁰ Ω
Pollution degree	1
Overvoltage category	I
Insulating material group	III
EMC compliance	unshielded

Product data sheet

Miniature connectors

Product description **M16 IP40 Male panel mount connector, Contacts: 8 DIN, unshielded, solder, IP40**

Area **M16 IP40 series 680**
Part no. **09 0473 00 08**

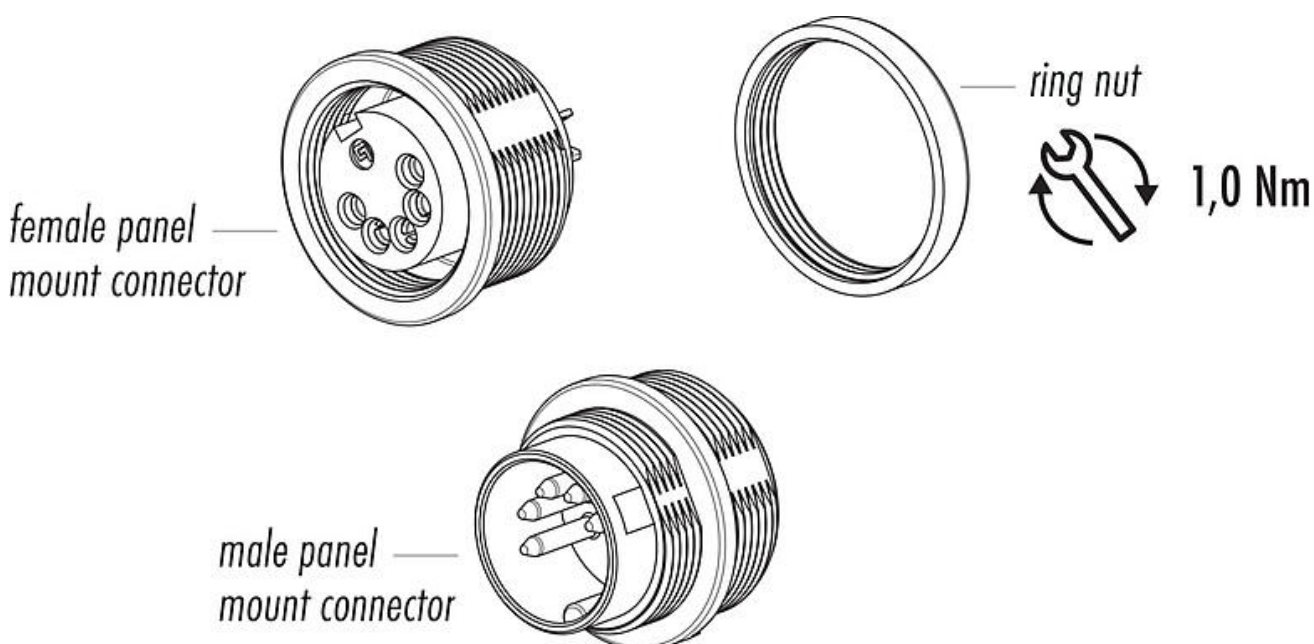
Material

Housing material	Zinc die-cast nickel-plated
Contact body material	PBT (UL94 V-0)
Contact material	CuZn (brass)
Contact plating	Ag (silver)
REACH SVHC	CAS 7439-92-1 (Lead)
SCIP number	SCIP-number not available

Classifications

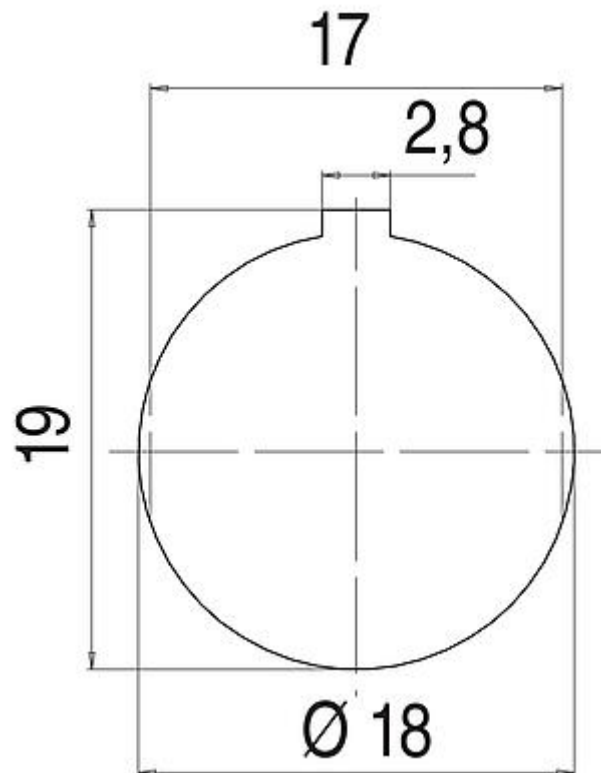
eCl@ss 11.1	27-44-01-09
ETIM 7.0	EC003569

Component part drawing



Product description	M16 IP40 Male panel mount connector, Contacts: 8 DIN, unshielded, solder, IP40
Area	M16 IP40 series 680
Part no.	09 0473 00 08

Assembly instructions / Panel cut-out



Product data sheet

Miniature connectors



Product description	M16 IP40 Male panel mount connector, Contacts: 8 DIN, unshielded, solder, IP40
Area	M16 IP40 series 680
Part no.	09 0473 00 08

Security notices

The connectors have been developed for applications in plant engineering, control and electrical equipment construction. The user is responsible for checking whether the connectors can also be used in other areas of application.