

Product data sheet

Miniature connectors

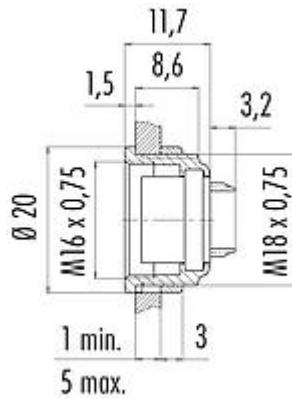


Product description	M16 IP40 Female panel mount connector, Contacts: 16, unshielded, solder, IP40
Area	M16 IP40 series 680
Part no.	09 0340 00 16

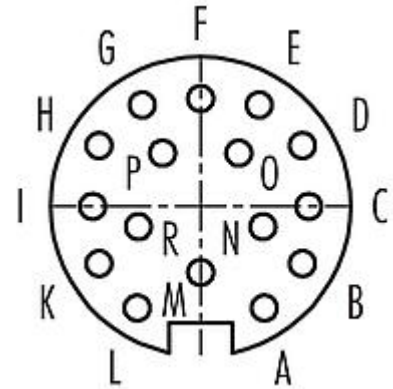
Illustration



Scale drawing



Contact arrangement (Plug-in side)



You can find the component part drawing and assembly instructions on the next page.

Technical data

General features

Part no.	09 0340 00 16
Connector design	Female panel mount connector
Version	female straight
Connector locking system	screw
Termination	solder
Degree of protection	IP40
Cross-sectional area	0.25 mm ² / AWG 24
Temperature range from/to	-40 °C / 85 °C
Tightening torque screw nut	1.0 Nm
Mechanical operation	> 500 Mating cycles
Weight (g)	9.38
Customs tariff number	85369010

Electrical parameters

Rated voltage	60 V
Rated impulse voltage	500 V
Rated current (40 °C)	3,0 A
Insulation resistance	≥ 10 ¹⁰ Ω
Pollution degree	1
Overvoltage category	I
Insulating material group	III
EMC compliance	unshielded

Product data sheet

Miniature connectors

Product description	M16 IP40 Female panel mount connector, Contacts: 16, unshielded, solder, IP40
Area	M16 IP40 series 680
Part no.	09 0340 00 16

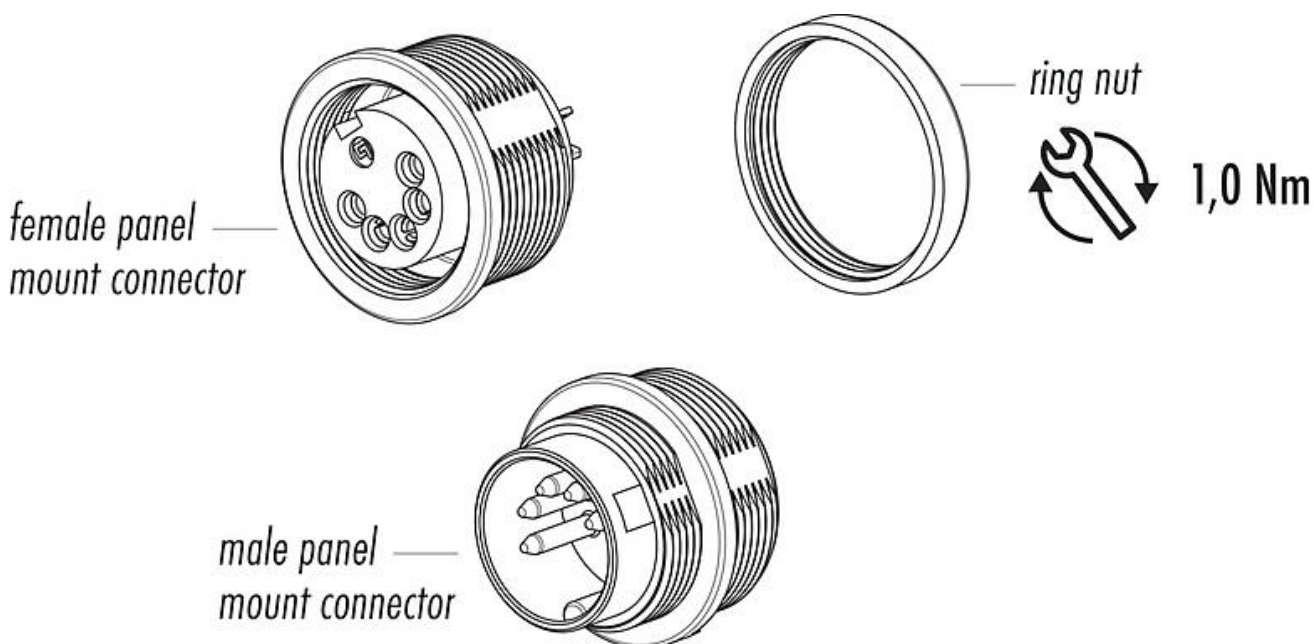
Material

Housing material	Zinc die-cast nickel-plated
Contact body material	PBT (UL94 V-0)
Contact material	CuSn (bronze)
Contact plating	Au (gold)
REACH SVHC	CAS 7439-92-1 (Lead)
SCIP number	SCIP-number not available

Classifications

eCl@ss 11.1	27-44-01-09
ETIM 7.0	EC003569

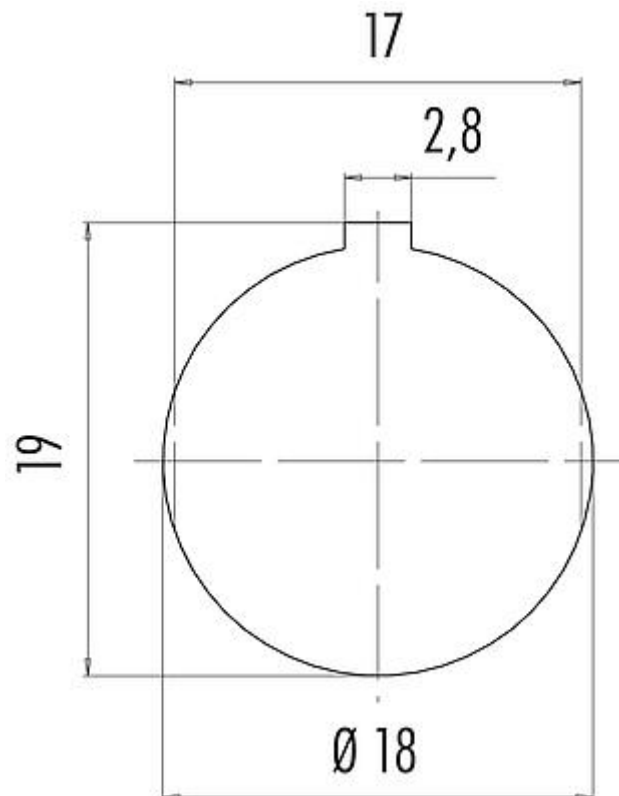
Component part drawing



Product data sheet
Miniature connectors

Product description	M16 IP40 Female panel mount connector, Contacts: 16, unshielded, solder, IP40
Area	M16 IP40 series 680
Part no.	09 0340 00 16

Assembly instructions / Panel cut-out



Product data sheet

Miniature connectors



Product description	M16 IP40 Female panel mount connector, Contacts: 16, unshielded, solder, IP40
Area	M16 IP40 series 680
Part no.	09 0340 00 16

Security notices

The connectors have been developed for applications in plant engineering, control and electrical equipment construction. The user is responsible for checking whether the connectors can also be used in other areas of application.