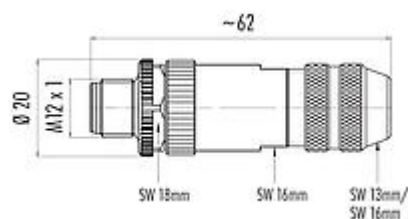


Product description	M12-A male cable connector, Contacts: 5, 4.0 - 6.0 mm, shieldable, screw clamp, IP67, UL
Area	M12-A series 713
Part no.	99 1437 814 05

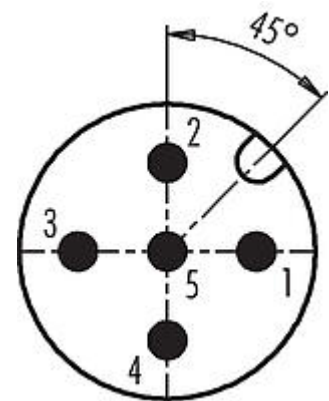
## Illustration



## Scale drawing



## Contact arrangement (Plug-in side)



You can find the component part drawing and assembly instructions on the next page.

## Technical data

### General features

Part no.	99 1437 814 05
Connector design	male cable connector
Version	male straight
Connector locking system	screw
Termination	screw clamp
Degree of protection	IP67
Cross-sectional area	max. 0.75 mm <sup>2</sup> / AWG 18
Cable outlet	4.0 - 6.0 mm
Temperature range from/to	-40 °C / 85 °C
Mechanical operation	> 100 Mating cycles
Weight (g)	47.34
Customs tariff number	85369010

### Electrical parameters

Rated voltage	60 V
Rated impulse voltage	1500 V
Rated current (40 °C)	4 A (3 A UL)
Insulation resistance	> 10 <sup>8</sup> Ω
Pollution degree	3
Overvoltage category	II

# Product data sheet

## Automation technology - sensors and actuators

Product description	M12-A male cable connector, Contacts: 5, 4.0 - 6.0 mm, shieldable, screw clamp, IP67, UL
Area	M12-A series 713
Part no.	99 1437 814 05

Insulating material group	III
EMC compliance	shieldable
Shield connection	shielding ring

### Material

Housing material	Zinc die-cast nickel-plated
Contact body material	PA
Contact material	CuZn (brass)
Contact plating	Au (gold)
Locking material	Zinc die-cast nickel-plated
REACH SVHC	CAS 96-45-7 (Imidazolidine-2-thione) CAS 7439-92-1 (Lead)
SCIP number	9a8e34c6-c009-4373-922c-ce68baa8023a

### Authorization/approvals

Approvals	UL
-----------	----

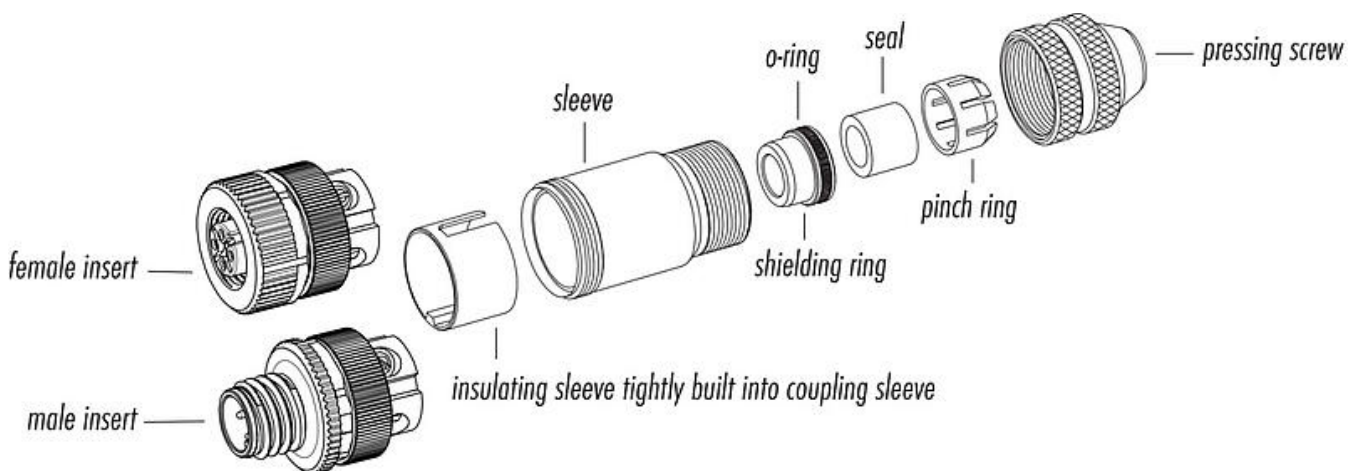
### Classifications

eCl@ss 11.1	27-44-01-02
ETIM 7.0	EC002635

### Declarations of conformity

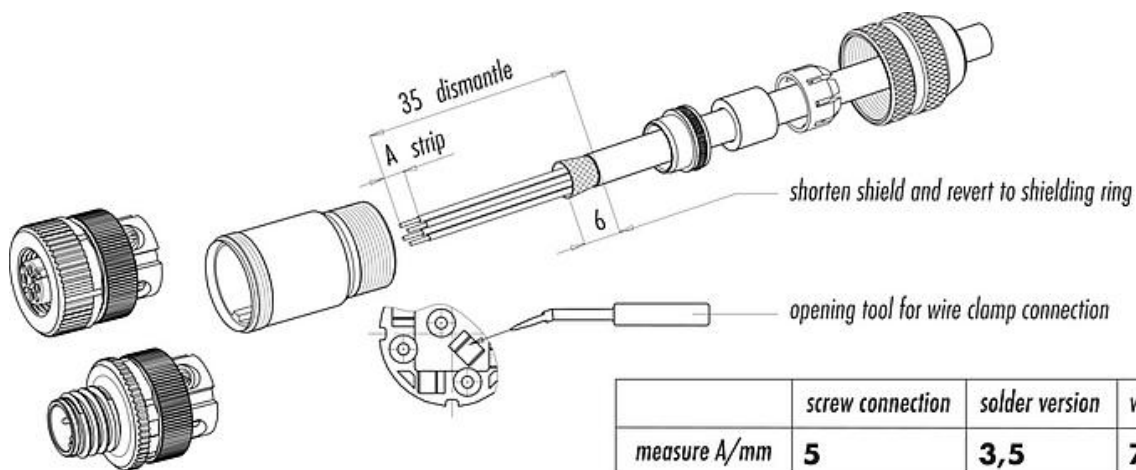
Low Voltage Directive	2014/35/EU (EN 60204-1:2018;EN 60529:1991)
-----------------------	--------------------------------------------

### Component part drawing



Product description	M12-A male cable connector, Contacts: 5, 4.0 - 6.0 mm, shieldable, screw clamp, IP67, UL
Area	M12-A series 713
Part no.	99 1437 814 05

### Assembly instructions



Product description	<b>M12-A male cable connector, Contacts: 5, 4.0 - 6.0 mm, shieldable, screw clamp, IP67, UL</b>
Area	<b>M12-A series 713</b>
Part no.	<b>99 1437 814 05</b>

### **Security notices**

The connectors have been developed for applications in plant engineering, control and electrical equipment construction. The user is responsible for checking whether the connectors can also be used in other areas of application.

Plug connectors with enclosure protection IP 67 and IP 68 are not suitable for use under water. When used outdoors, the plug connectors must be protected separately against corrosion. For further information on the IP protection classes, please refer to the "Technical Information" download centre.

To lock the cable connector with the device connector, the threaded ring is tightened "hand-tight" (approx. 60 cNm).