

# Product data sheet

## Miniature connectors

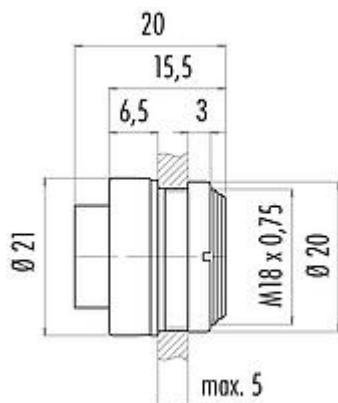


Product description	Bayonet male panel mount connector, Contacts: 8 DIN, unshielded, solder, IP40
Area	Bayonet series 678
Part no.	99 0647 00 08

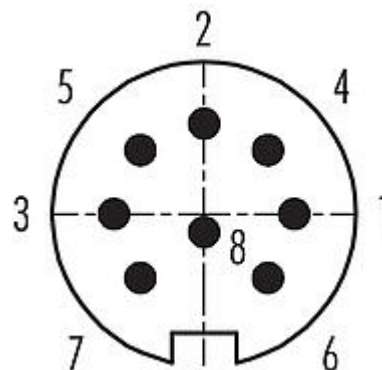
### Illustration



### Scale drawing



### Contact arrangement (Plug-in side)



You can find the component part drawing and assembly instructions on the next page.

## Technical data

### General features

Part no.	<b>99 0647 00 08</b>
Connector design	male panel mount connector
Version	male straight
Connector locking system	Bayonet
Termination	solder
Degree of protection	IP40
Cross-sectional area	max. 0.75 mm <sup>2</sup> / AWG 18
Temperature range from/to	-40 °C / 85 °C
Tightening torque screw nut	1.0 Nm
Mechanical operation	> 500 Mating cycles
Weight (g)	7.06
Customs tariff number	85369010

### Electrical parameters

Rated voltage	60 V
Rated impulse voltage	500 V
Rated current (40 °C)	5,0 A
Insulation resistance	≥ 10 <sup>10</sup> Ω
Pollution degree	1
Overvoltage category	I
Insulating material group	III
EMC compliance	unshielded

# Product data sheet

## Miniature connectors

Product description	Bayonet male panel mount connector, Contacts: 8 DIN, unshielded, solder, IP40
Area	Bayonet series 678
Part no.	99 0647 00 08

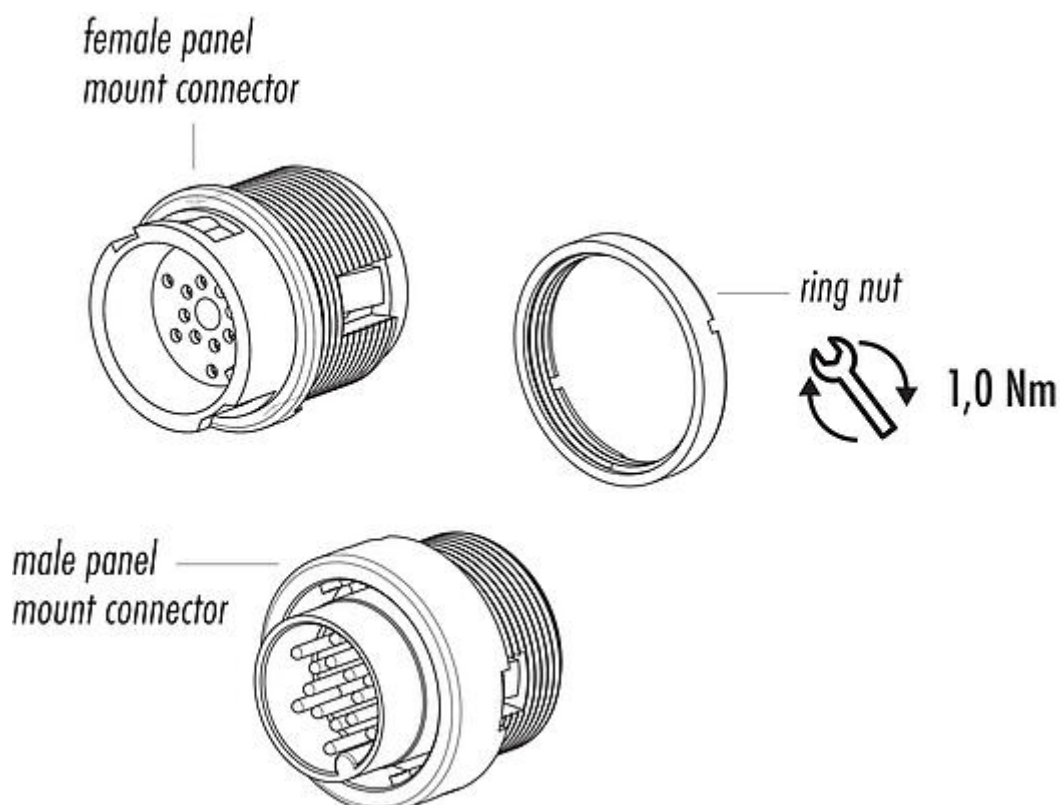
### Material

Housing material	PA
Contact body material	PBT (UL94 V-0)
Contact material	CuZn (brass)
Contact plating	Ag (silver)
REACH SVHC	CAS 7439-92-1 (Lead)
SCIP number	SCIP-number not available

### Classifications

eCl@ss 11.1	27-44-01-02
ETIM 7.0	EC002635

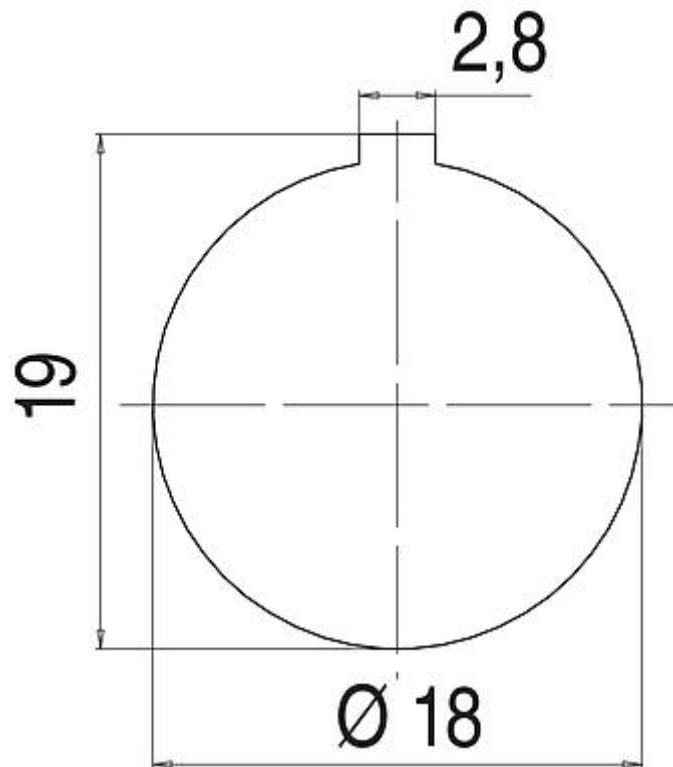
### Component part drawing



Product description Bayonet male panel mount connector, Contacts: 8 DIN, unshielded, solder, IP40

Area Bayonet series 678  
Part no. 99 0647 00 08

### Assembly instructions / Panel cut-out



# Product data sheet

## Miniature connectors



Product description	<b>Bayonet male panel mount connector, Contacts: 8 DIN, unshielded, solder, IP40</b>
Area	<b>Bayonet series 678</b>
Part no.	<b>99 0647 00 08</b>

### Security notices

The connectors have been developed for applications in plant engineering, control and electrical equipment construction. The user is responsible for checking whether the connectors can also be used in other areas of application.