

Product data sheet

Miniature connectors

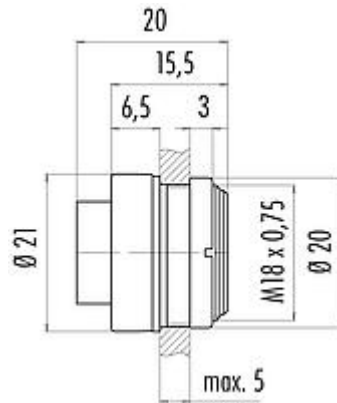


Product description	Bayonet male panel mount connector, Contacts: 6 DIN, unshielded, solder, IP40
Area	Bayonet series 678
Part no.	99 0619 00 06

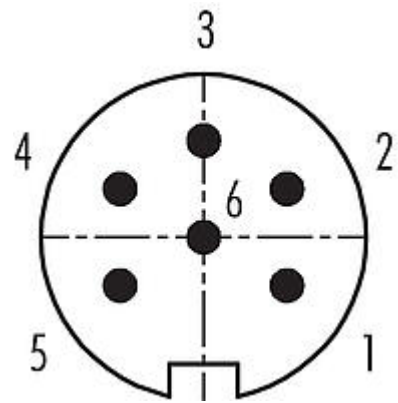
Illustration



Scale drawing



Contact arrangement (Plug-in side)



You can find the component part drawing and assembly instructions on the next page.

Technical data

General features

Part no.	99 0619 00 06
Connector design	male panel mount connector
Version	male straight
Connector locking system	Bayonet
Termination	solder
Degree of protection	IP40
Cross-sectional area	max. 0.75 mm ² / AWG 18
Temperature range from/to	-40 °C / 85 °C
Tightening torque screw nut	1.0 Nm
Mechanical operation	> 500 Mating cycles
Weight (g)	6.62
Customs tariff number	85369010

Electrical parameters

Rated voltage	250 V
Rated impulse voltage	1500 V
Rated current (40 °C)	6,0 A
Insulation resistance	≥ 10 ¹⁰ Ω
Pollution degree	1
Overvoltage category	I
Insulating material group	III
EMC compliance	unshielded

Product data sheet

Miniature connectors

Product description **Bayonet male panel mount connector, Contacts: 6 DIN, unshielded, solder, IP40**

Area **Bayonet series 678**
Part no. **99 0619 00 06**

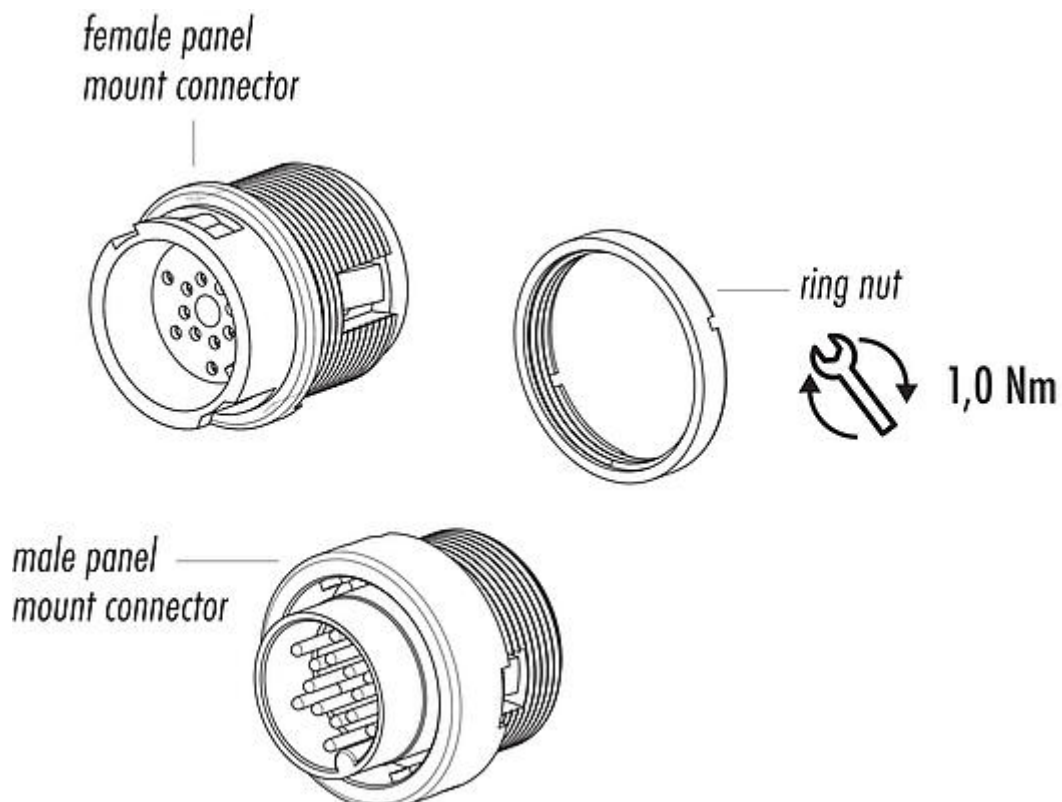
Material

Housing material	PA
Contact body material	PBT (UL94 V-0)
Contact material	CuZn (brass)
Contact plating	Ag (silver)
REACH SVHC	CAS 7439-92-1 (Lead)
SCIP number	SCIP-number not available

Classifications

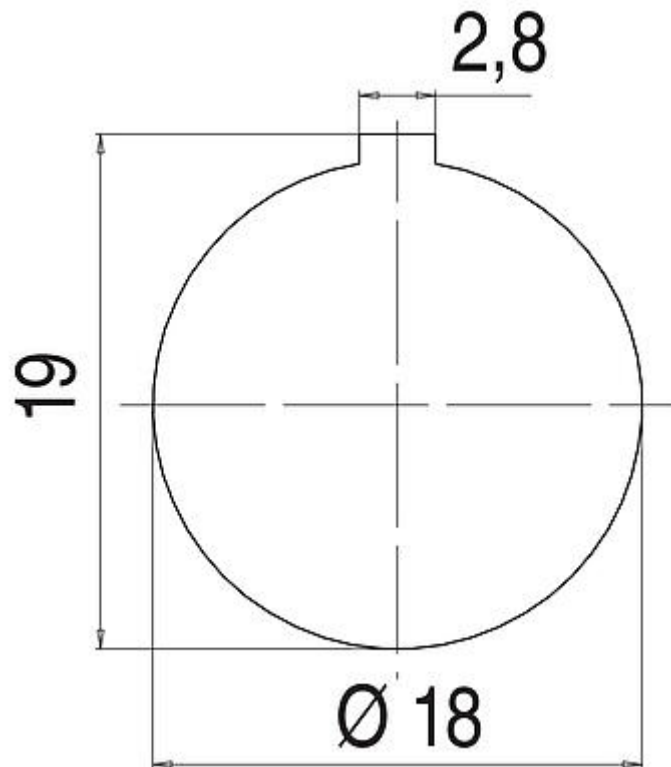
eCl@ss 11.1	27-44-01-02
ETIM 7.0	EC002635

Component part drawing



Product description	Bayonet male panel mount connector, Contacts: 6 DIN, unshielded, solder, IP40
Area	Bayonet series 678
Part no.	99 0619 00 06

Assembly instructions / Panel cut-out



Product data sheet

Miniature connectors



Product description	Bayonet male panel mount connector, Contacts: 6 DIN, unshielded, solder, IP40
Area	Bayonet series 678
Part no.	99 0619 00 06

Security notices

The connector must not be plugged or unplugged under load. Non-observance and improper use can result in personal injury.

The connectors have been developed for applications in plant engineering, control and electrical equipment construction. The user is responsible for checking whether the connectors can also be used in other areas of application.

The plug connector is not suitable for mains voltages. Please observe the pollution degree and the overvoltage category. For further information, please refer to the download center "Technical Information".