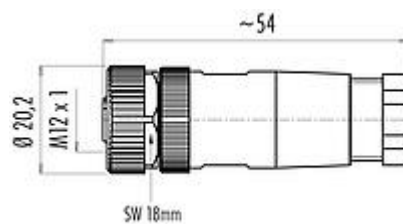


Product description	M12-A female cable connector, Contacts: 12, 6.0 - 8.0 mm, unshielded, solder, IP67, UL
Area	M12-A series 713
Part no.	99 0492 12 12

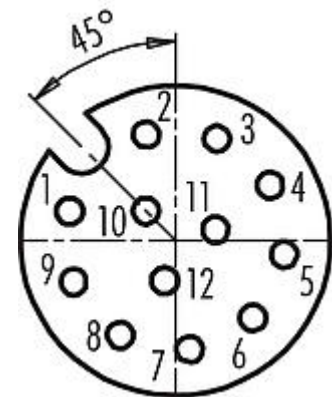
Illustration



Scale drawing



Contact arrangement (Plug-in side)



You can find the component part drawing and assembly instructions on the next page.

Technical data

General features

Part no.	99 0492 12 12
Connector design	female cable connector
Version	female straight
Connector locking system	screw
Termination	solder
Degree of protection	IP67
Cross-sectional area	max. 0.25 mm ² / AWG 24
Cable outlet	6.0 - 8.0 mm
Temperature range from/to	-40 °C / 85 °C
Mechanical operation	> 100 Mating cycles
Weight (g)	22.33
Customs tariff number	85369010

Electrical parameters

Rated voltage	30 V
Rated impulse voltage	500 V
Rated current (40 °C)	1,5 A (2 A UL)
Insulation resistance	> 10 ⁸ Ω
Pollution degree	3
Overvoltage category	II

Product data sheet

Automation technology - sensors and actuators



Product description	M12-A female cable connector, Contacts: 12, 6.0 - 8.0 mm, unshielded, solder, IP67, UL
Area	M12-A series 713
Part no.	99 0492 12 12

Insulating material group	III
EMC compliance	unshielded

Material

Housing material	PA
Contact body material	PA
Contact material	CuSn (bronze)
Contact plating	Au (gold)
Locking material	Zinc die-cast nickel-plated
REACH SVHC	CAS 96-45-7 (Imidazolidine-2-thione) CAS 7439-92-1 (Lead)
SCIP number	a8907315-430d-475b-a503-51d0a15c2746

Authorization/approvals

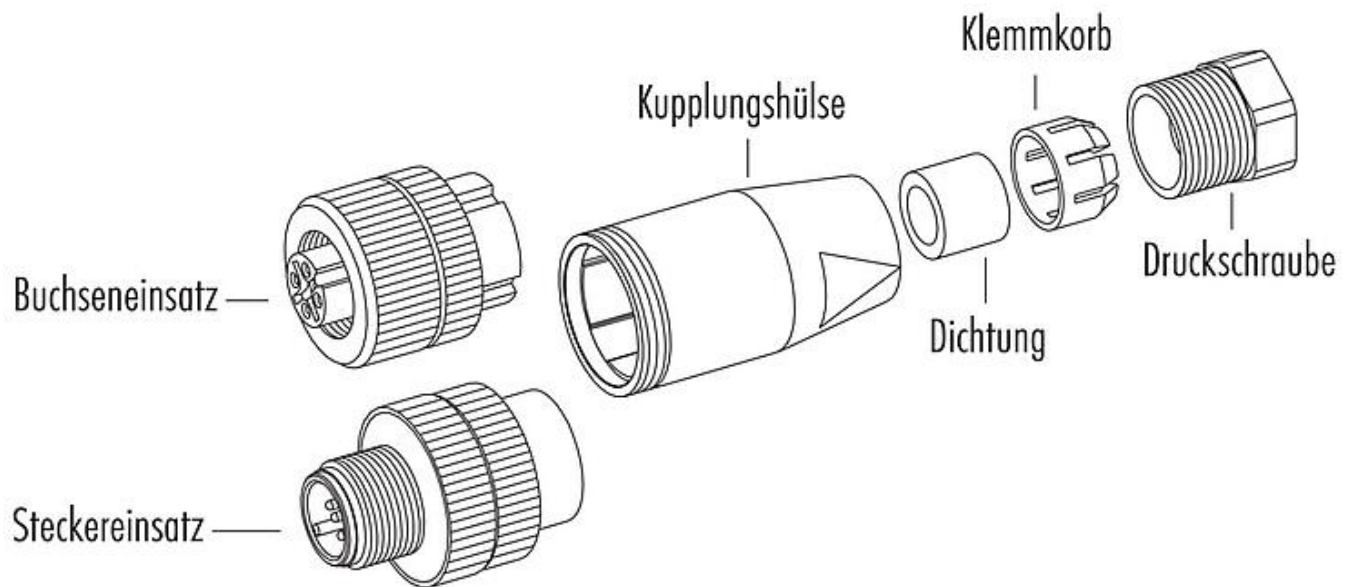
Approvals	UL
-----------	----

Classifications

eCl@ss 11.1	27-44-01-02
ETIM 7.0	EC002635

Product description	M12-A female cable connector, Contacts: 12, 6.0 - 8.0 mm, unshielded, solder, IP67, UL
Area	M12-A series 713
Part no.	99 0492 12 12

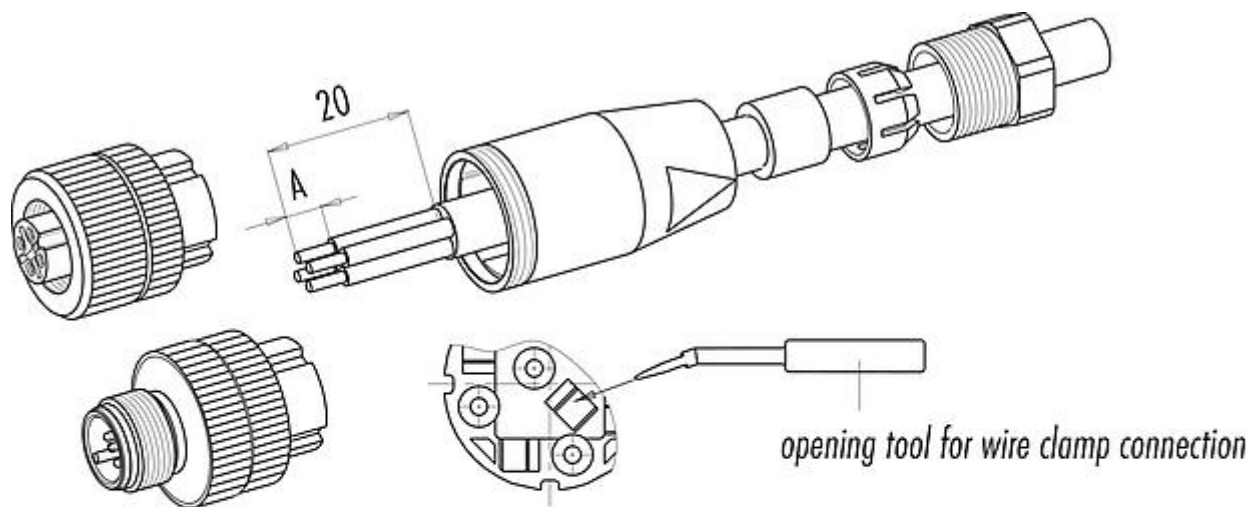
Component part drawing



Material der Gewindinge: Kunststoff, Zink Druckguss, Edelstahl

Product description	M12-A female cable connector, Contacts: 12, 6.0 - 8.0 mm, unshielded, solder, IP67, UL
Area	M12-A series 713
Part no.	99 0492 12 12

Assembly instructions



	<i>screw connection</i>	<i>solder version</i>	<i>wire clamp connection</i>
<i>measure A/mm</i>	5	3,5	7

material of locking rings: plastic, zinc diecast, stainless steel

Product description	M12-A female cable connector, Contacts: 12, 6.0 - 8.0 mm, unshielded, solder, IP67, UL
Area	M12-A series 713
Part no.	99 0492 12 12

Security notices

The connectors have been developed for applications in plant engineering, control and electrical equipment construction. The user is responsible for checking whether the connectors can also be used in other areas of application.

Plug connectors with enclosure protection IP 67 and IP 68 are not suitable for use under water. When used outdoors, the plug connectors must be protected separately against corrosion. For further information on the IP protection classes, please refer to the "Technical Information" download centre.

To lock the cable connector with the device connector, the threaded ring is tightened "hand-tight" (approx. 60 cNm).