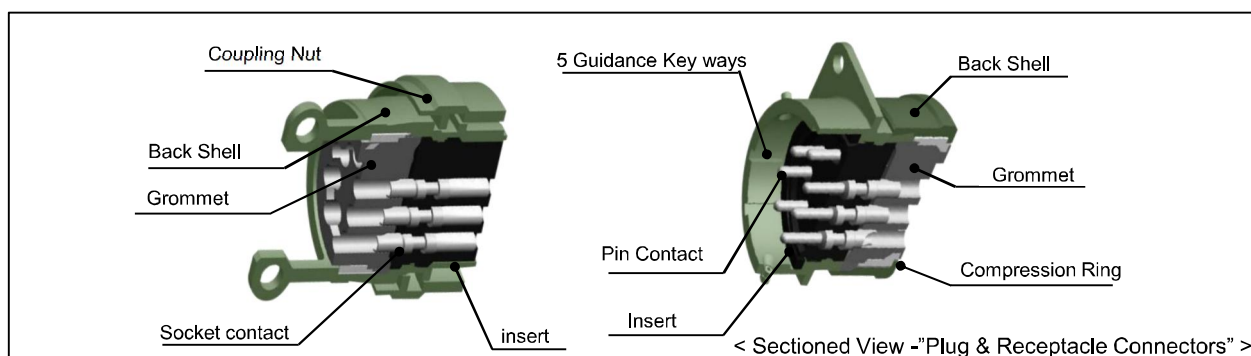


## YongJin 26482 Connectors

### Solder Contact Termination

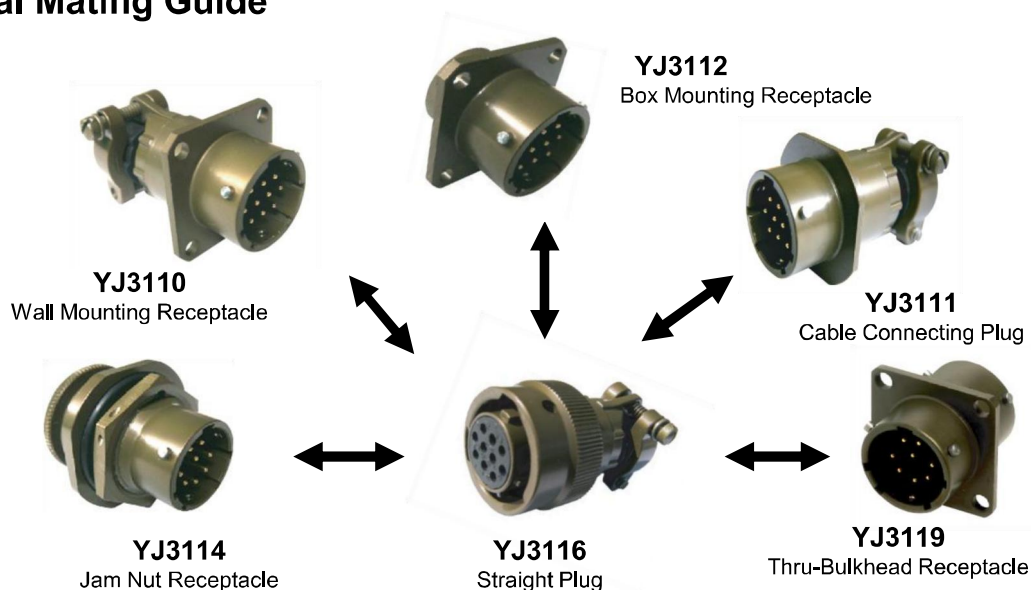
#### Summary

MIL-C-26482 Series connectors are lightweight and compact size miniature circular connectors while ensuring reliable mechanical and electrical connection between mating halves. And the combination of connectors is made by 5 guidance keys and 3 point type Bayonet Coupler. The bayonet mechanism provides fast and easy coupling, especially when the connector is situated in an awkward or hard to reach location. Now they are widely used in the field of military communication equipment, related electric and electronic instrument and general industry (machine tools, automation, measuring equipment ...). This catalog is prepared on the basis of "E" Class of series 1 that is the most general among MIL-C-26482 series has good environment resistance, and is being used widely in all fields.



26482

#### Typical Mating Guide





## Technical Data

### Materials & Finishes

	Materials	Finishes
<b>Shell</b>	Aluminum alloy	Conductive olive drab chromate cadmium or Zinc *Cadmium free surface coating are available
<b>Contact</b>	Copper alloy	Gold plating per MIL-G-45204 type II
<b>Insulation</b>	Polychloroprene	-
<b>Grommet and seal</b>	Polychloroprene	-

### Electrical & Environmental Characteristics

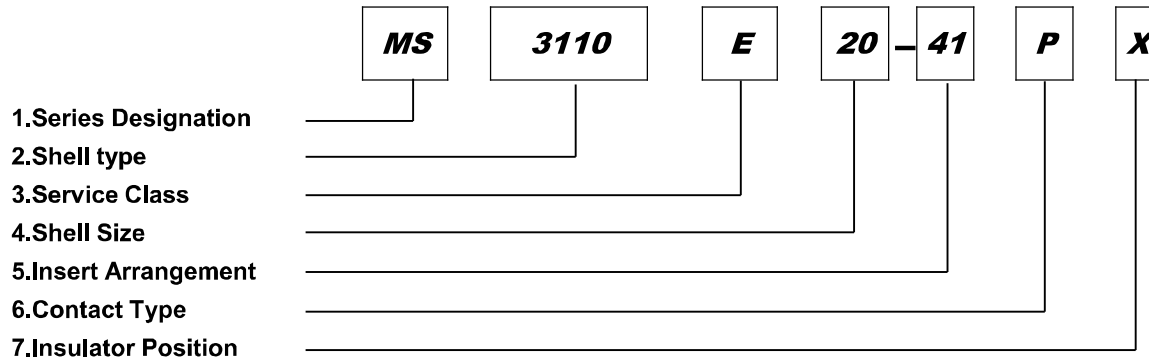
Dielectric withstanding voltage						
Service rating	Operating Voltage		Test Voltage AC(rms),60cps			
	AC	DC	Sea level	50,000(ft)	70,000(ft)	110,000(ft)
I	600	850	1,500	500	375	200
II	1,000	1,275	2,300	750	500	200

Contact Size	AWG Size	Max.Current for test (A) (mated with Insulators)	Potential drop mV at 25°C (Max.)	Dielectric Material O.D Limits (mm)	
				Min.	Max.
#20	#24, 22, 20	7.5	55	1.52	2.11
#16	#20, 18, 16	13.0	49	1.68	2.77
#12	#12, 14	20.0	42	2.46	3.61

<b>Insulation resistance</b>	5,000MΩ, min. (at 25°C)
<b>Temperature range</b>	-55°C to 125°C
<b>Durability</b>	500cycles connection / disconnection

## How to order

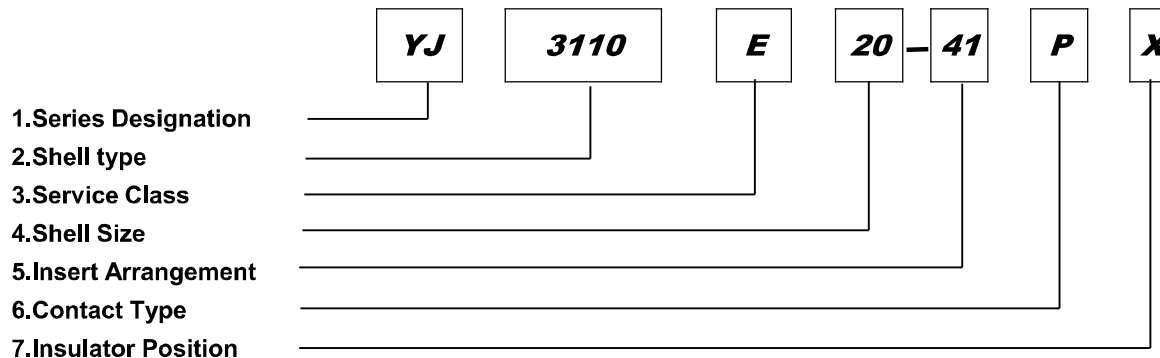
### MIL Part Number System



- |  |   |
|--|---|
| <p>1. Series Designation:<br/>MIL-C-26482 Standard</p> <p>2. Shell type:<br/>MS3110 - Wall mounting receptacle,<br/>MS3111 - Cable connecting plug,<br/>MS3112 - Box mounting receptacle(class E only) ,<br/>MS3114 - Jam Nut Receptacle ,<br/>MS3116 - Straight Plug,<br/>MS3119 - Thru-Bulkhead Receptacle(class E only),</p> <p>3. Service Class:<br/>A: General purpose(solid endbell)-Not MS approved<br/>E: Environmental resisting with grommet seal except on 3112</p> | <p>F: Environmental resisting with grommet seal and strain relief<br/>P: Potted type with potting boot</p> <p>4. Shell size:<br/>8, 10, 12, 14, 16, 18, 20, 22, 24</p> <p>5. Insert arrangement:<br/>according to MIL-STD-1669</p> <p>6. Contact type:<br/>P- Pin contact,<br/>S- Socket contact</p> <p>7. Insulator position:<br/>N(Normal),W,X,Y,Z (MIL-STD-1669)</p> |
|--|---|

26482

### YongJin Part Number System




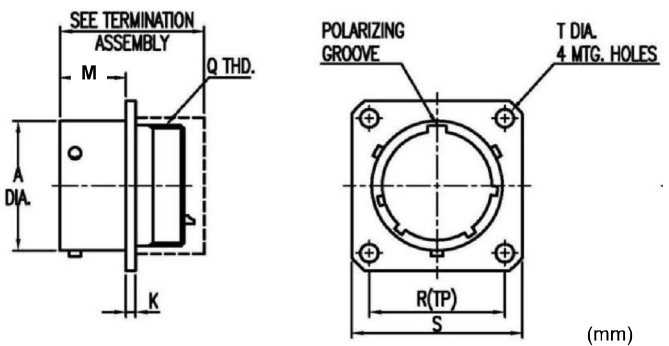
- |   |  |
|---|--|
| <p>1. Series Designation:<br/>YongJin Designation(for any modification)</p> <p>2. Shell type:<br/>YJ3110 - Wall mounting receptacle,<br/>YJ3111 - Cable connecting plug,<br/>YJ3112 - Box mounting receptacle(class E only) ,<br/>YJ3114 - Jam Nut Receptacle ,<br/>YJ3116 - Straight Plug,<br/>YJ3119 - Thru-Bulkhead Receptacle(class E only),</p> <p>3. Service Class:<br/>A: General purpose(solid endbell)-Not MS approved<br/>E: Environmental resisting with grommet seal except on 3112</p> | <p>F: Environmental resisting with grommet seal and strain relief<br/>P: Potted type with potting boot</p> <p>4. Shell size:<br/>8, 10, 12, 14, 16, 18, 20, 22, 24</p> <p>5. Insert arrangement:<br/>see page 32</p> <p>6. Contact type:<br/>P- Pin contact,<br/>S- Socket contact</p> <p>7. Insulator position:<br/>see page 33</p> |
|---|--|



**YJ 26482 Series**  
**Connector Dimensions**  
**Miniature Connectors**

**Receptacle**

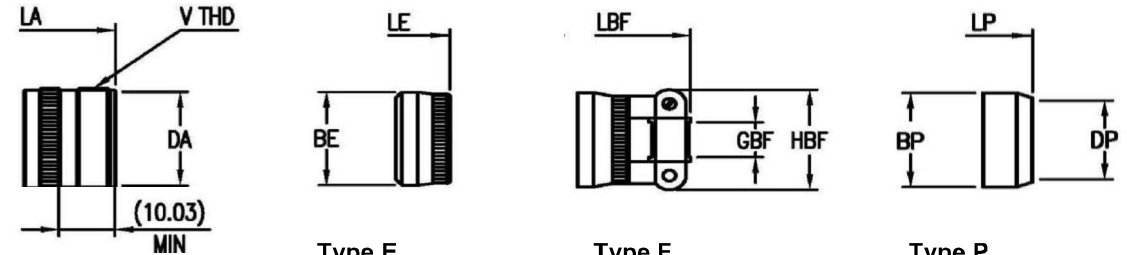
**Wall Mounting Receptacle (MS3110)**  
**YJ3110 (Class A,E,F,P)**

Shell Size	A ±0.08	K ±0.41	M +0.79 -0.00	□R (TP) ±0.10	□S Max.	T ±0.13	Q Thread Class 2A
8	11.96	1.57	10.95	15.09	21.03	3.05	7/16-28UNEF
10	14.96	1.57	10.95	18.26	24.23	3.05	9/16-24UNEF
12	19.00	1.57	10.95	20.62	26.59	3.05	11/16-24UNEF
14	22.17	1.57	10.95	23.01	28.98	3.05	13/16-20UNEF
16	25.35	1.57	10.95	24.61	31.34	3.05	15/16-20UNEF
18	28.52	1.57	10.95	26.97	33.73	3.05	1-1/16-18UNEF
20	31.70	2.39	14.12	29.36	36.91	3.05	1-3/16-18UNEF
22	34.87	2.39	14.12	31.75	40.08	3.05	1-5/16-18UNEF
24	38.05	2.39	14.12	34.92	43.26	3.73	1-7/16-18UNEF

All dimensions are reference only.

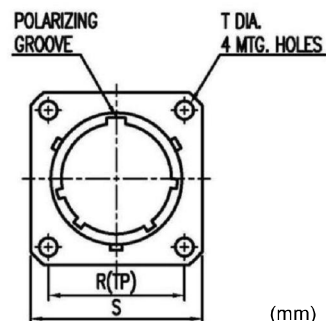
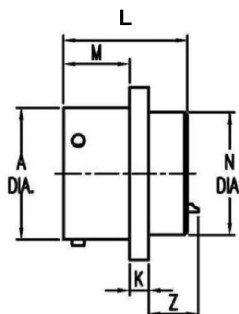
**Termination Assemblies**



Shell Size	TYPE A			TYPE E		TYPE F			TYPE P		
	DA Min.	LA Max.	V Thread class 2A	BE Max.	LE max.	GBF Min.	HBF Max.	LBF Max.	BP Max.	DP min.	LP Max.
8	8.51	36.68	1/2-28UNEF	15.44	33.73	2.92	21.03	48.82	15.44	8.05	36.91
10	11.84	36.68	5/8-24UNEF	18.64	33.73	4.52	22.63	48.82	18.64	11.02	36.91
12	15.01	36.68	3/4-20UNEF	21.79	33.73	7.67	25.81	48.82	21.79	13.92	36.91
14	19.05	36.68	7/8-20UNEF	24.99	33.73	9.27	28.98	48.82	24.99	17.09	36.91
16	21.08	36.68	1-20UNEF	28.19	33.73	12.45	30.56	51.99	28.19	20.27	36.91
18	24.08	36.68	1-3/16-18UNEF	31.34	33.73	15.62	37.31	52.78	31.34	22.83	36.91
20	26.49	43.89	1-3/16-18UNEF	34.54	38.89	15.62	37.31	59.54	34.54	26.01	42.47
22	30.43	43.89	1-7/16-18UNEF	37.69	38.89	18.80	42.06	59.54	37.69	29.18	42.48
24	32.84	44.15	1-7/16-18UNEF	40.89	40.49	20.07	44.45	61.11	40.89	32.36	44.04

## Receptacle

### Box Mounting Receptacle (MS3112) YJ3112 (Class E)

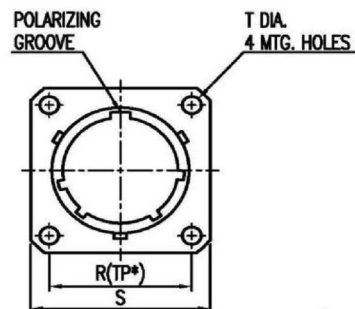
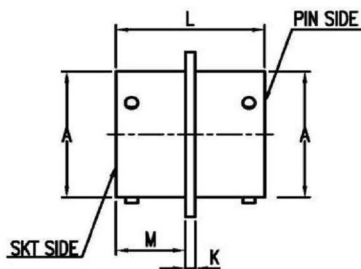


(mm)

Shell Size	A ±0.08	K ±0.41	L Max.	M +0.79 -0.00	N Dia. Max.	R (TP) ±0.10	S Max.	T ±0.13	Z Max.
8	11.96	1.57	21.51	10.95	11.91	15.09	21.03	3.05	8.99
10	14.96	1.57	21.51	10.95	15.06	18.26	24.23	3.05	8.99
12	19.00	1.57	21.51	10.95	18.26	20.62	26.59	3.05	8.99
14	22.17	1.57	21.51	10.95	21.41	23.01	28.98	3.05	8.99
16	25.35	1.57	21.51	10.95	24.61	24.61	31.34	3.05	8.99
18	28.52	1.57	21.51	10.95	27.76	26.97	33.73	3.05	8.99
20	31.70	2.39	27.10	14.12	30.96	29.36	36.91	3.05	10.59
22	34.87	2.39	27.10	14.12	34.11	31.75	40.08	3.05	10.59
24	38.05	2.39	28.65	14.96	37.31	34.92	43.26	3.73	11.30

All dimensions are reference only.

### Thru-Bulkhead Receptacle (MS3119) YJ3119 (Class E)



(mm)

Shell Size	A Dia. ±0.08	K ±0.41	L Max.	M 0/+0.79	R (TP) ±0.10	S Max.	T ±0.13
8	11.96	1.57	28.58	14.27	15.09	21.03	3.05
10	14.96	1.57	28.58	14.27	18.26	24.23	3.05
12	19.00	1.57	28.58	14.27	20.62	26.59	3.05
14	22.17	1.57	28.58	14.27	23.01	28.98	3.05
16	25.35	1.57	28.58	14.27	24.61	31.34	3.05
18	28.52	1.57	28.58	14.27	26.97	33.73	3.05
20	31.70	2.39	35.71	17.48	29.36	36.91	3.05
22	34.87	2.39	35.71	17.48	31.76	40.08	3.05
24	38.05	2.39	35.71	17.48	34.92	43.26	3.73

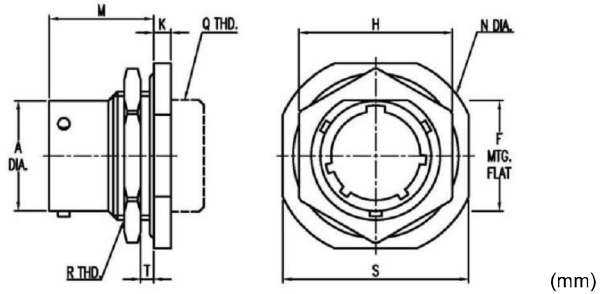
26482



**YJ 26482 Series**  
**Connector Dimensions**  
**Miniature Connectors**

**Receptacle**

**Jam Nut Receptacle(MS3114)**  
**YJ3114 (Class A,E,F,P)**

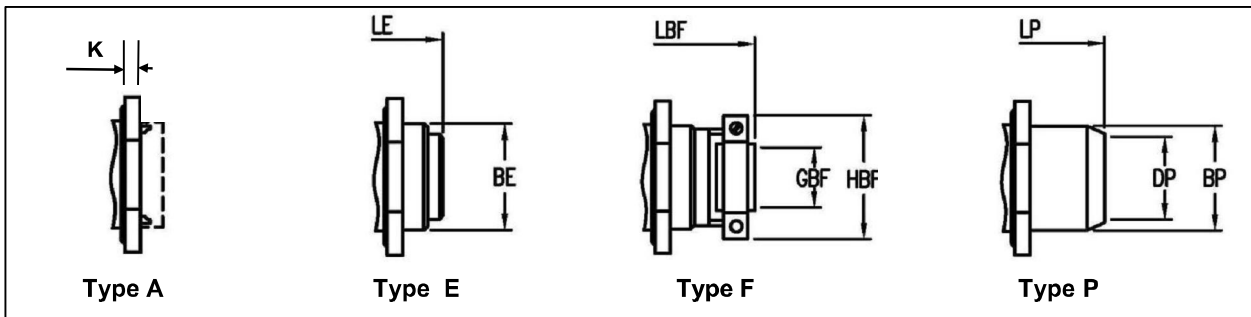


(mm)

Shell Size	A ±0.08	F ±0.13	H ±0.43	K ±0.51	M +0.08 -0.00	N Max.	S Max.	T Panel thickness		R thread Class 2A
								Min.	Max.	
8	11.96	13.34	19.05	2.97	17.55	27.38	24.23	1.57	3.17	9/16-24UNEF
10	14.96	16.51	22.22	2.97	17.55	30.56	27.38	1.57	3.17	11/16-24UNEF
12	19.00	20.65	26.97	2.97	17.55	35.33	32.16	1.57	3.17	7/8-20UNEF
14	22.17	23.80	30.17	2.97	17.55	38.51	35.33	1.57	3.17	1-20UNEF
16	25.35	26.95	33.32	2.97	17.55	41.68	38.51	1.57	3.17	1-1/8-18UNEF
18	28.52	30.12	36.25	2.97	17.55	44.86	41.68	1.57	3.17	1-1/4-18UNEF
20	31.70	33.30	39.67	3.76	22.33	49.63	46.43	1.57	6.35	1-3/8-18UNEF
22	34.87	36.47	42.87	3.76	22.33	52.78	49.63	1.57	6.35	1-1/2-18UNEF
24	38.05	39.65	46.02	3.76	23.16	55.96	52.78	1.57	6.35	1-5/8-18UNEF

All dimensions are reference only.

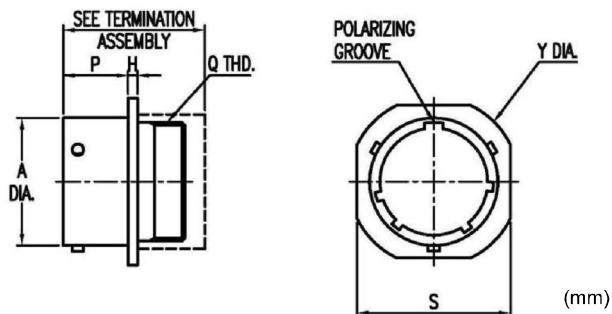
**Termination Assemblies**



Shell Size	TYPE A	TYPE E		TYPE F			TYPE P		
	K ±0.51	BE Max.	LE max.	GBF Min	HBF Max.	LBF Max.	BP Max.	DP min.	LP Max.
8	2.97	15.44	34.14	2.92	21.03	48.41	15.44	8.05	35.33
10	2.97	18.64	34.14	4.52	22.63	48.41	18.64	11.02	35.33
12	2.97	21.79	34.14	7.67	25.81	48.41	21.79	13.92	35.33
14	2.97	24.99	34.14	9.27	28.98	48.41	24.99	17.09	35.33
16	2.97	28.19	34.14	12.45	30.56	51.99	28.19	20.27	35.33
18	2.97	31.34	34.14	15.62	37.31	52.78	31.34	22.83	35.68
20	3.76	34.54	40.49	15.62	37.31	59.13	34.54	26.01	41.68
22	3.76	37.69	40.49	18.80	42.06	59.13	37.69	29.18	41.68
24	3.76	40.89	41.68	20.07	44.45	62.31	40.89	32.36	43.26

## Plug

### Cable Connecting Plug(MS3111) YJ3111 (Class A,E,F,P)

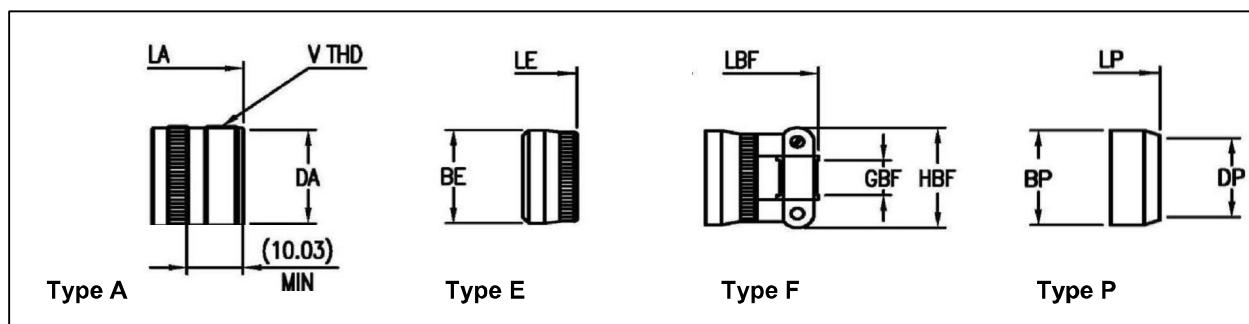


Shell Size	A ±0.08	H ±0.41	P +0.79 -0.00	S Max.	Y Max.	Q thread Class 2A
8	11.96	2.39	10.16	21.03	24.33	7/16-28UNEF
10	14.96	2.39	10.16	24.23	27.48	9/16-24UNEF
12	19.00	2.39	10.16	26.59	29.87	11/16-24UNEF
14	22.17	2.39	10.16	28.98	32.26	13/16-20UNEF
16	25.35	2.39	10.16	31.34	34.65	15/16-20UNEF
18	28.52	2.39	10.16	33.73	37.03	1-1/16-18UNEF
20	31.70	2.92	13.59	36.91	40.18	1-3/16-18UNEF
22	34.87	2.92	13.59	40.08	43.38	1-5/16-18UNEF
24	38.05	2.92	13.59	43.26	46.53	1-7/16-18UNEF

All dimensions are reference only.

26482

## Termination Assemblies



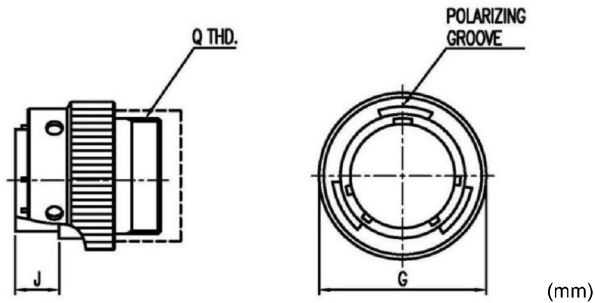
Shell Size	TYPE A			TYPE E		TYPE F			TYPE P		
	DA Min.	LA Max.	V Thread class 2A	BE Max.	LE max.	GBF Min.	HBF Max.	LBF Max.	BP Max.	DP min.	LP Max.
8	8.51	36.68	1/2-28UNEF	15.44	33.73	2.92	21.03	48.82	15.44	8.05	36.91
10	11.84	36.68	5/8-24UNEF	18.64	33.73	4.52	22.63	48.82	18.64	11.02	36.91
12	15.01	36.68	3/4-20UNEF	21.79	33.73	7.67	25.81	48.82	21.79	13.92	36.91
14	19.05	36.68	7/8-20UNEF	24.99	33.73	9.27	28.98	48.82	24.99	17.09	36.91
16	21.08	36.68	1-20UNEF	28.19	33.73	12.45	30.56	51.99	28.19	20.27	36.91
18	24.08	36.68	1-3/16-18UNEF	31.34	33.73	15.62	37.31	52.78	31.34	22.83	36.91
20	26.49	43.89	1-3/16-18UNEF	34.54	38.89	15.62	37.31	59.54	34.54	26.01	42.47
22	30.43	43.89	1-7/16-18UNEF	37.69	38.89	18.80	42.06	59.54	37.69	29.18	42.48
24	32.84	44.15	1-7/16-18UNEF	40.89	40.49	20.07	44.45	61.11	40.89	32.36	44.04



**YJ 26482 Series**  
**Connector Dimensions**  
**Miniature Connectors**

**Plug**

**Straight Plug(MS3116)**  
**YJ3116 (Class A,E,F,P)**

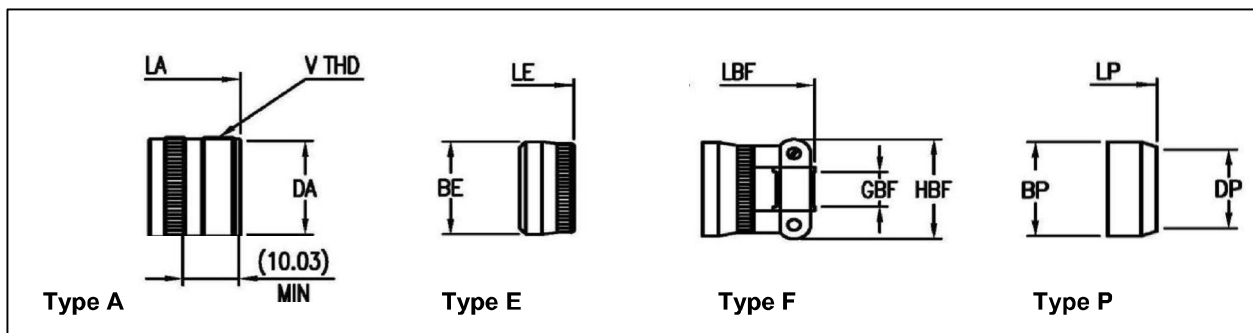


(mm)

Shell Size	A Dia. Max.	G Dia. Max.	J ±0.25	Q Thread Class 2A
8	19.43	19.86	8.99	7/16-28UNEF
10	21.34	23.52	8.99	9/16-24UNEF
12	25.38	26.49	8.99	11/16-24UNEF
14	28.93	30.05	8.99	13/16-20UNEF
16	32.03	33.15	8.99	15/16-20UNEF
18	33.96	35.33	8.99	1-1/16-18UNEF
20	37.52	38.89	10.54	1-3/16-18-UNEF
22	40.69	42.06	10.54	1-5/16-18UNEF
24	43.76	45.14	10.54	1-7/16-18UNEF

All dimensions are reference only.

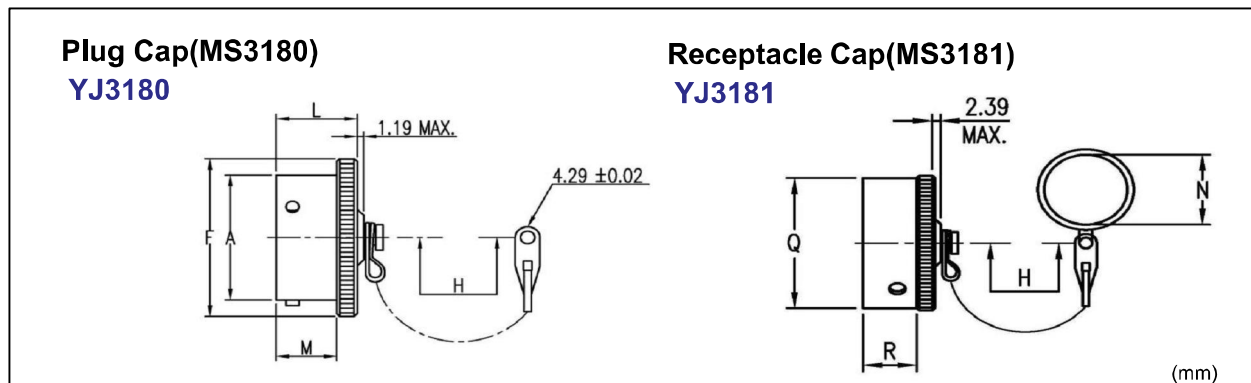
**Termination Assemblies**



Shell Size	TYPE A			TYPE E		TYPE F			TYPE P		
	DA Min.	LA Max.	V Thread class 2A	BE Max.	LE max.	GBF Min	HBF Max.	LBF Max.	BP Max.	DP min.	LP Max.
8	8.51	36.68	1/2-28UNEF	15.44	33.73	2.92	21.03	48.82	15.44	8.05	36.91
10	11.84	36.68	5/8-24UNEF	18.64	33.73	4.52	22.63	48.82	18.64	11.02	36.91
12	15.01	36.68	3/4-20UNEF	21.79	33.73	7.67	25.81	48.82	21.79	13.92	36.91
14	19.05	36.68	7/8-20UNEF	24.99	33.73	9.27	28.98	48.82	24.99	17.09	36.91
16	21.08	36.68	1-20UNEF	28.19	33.73	12.45	30.56	51.99	28.19	20.27	36.91
18	24.08	36.68	1-3/16-18UNEF	31.34	33.73	15.62	37.31	52.78	31.34	22.83	36.91
20	26.49	43.89	1-3/16-18UNEF	34.54	38.89	15.62	37.31	59.54	34.54	26.01	42.47
22	30.43	43.89	1-7/16-18UNEF	37.69	38.89	18.80	42.06	59.54	37.69	29.18	42.48
24	32.84	44.15	1-7/16-18UNEF	40.89	40.49	20.07	44.45	61.11	40.89	32.36	44.04



## Protection Caps

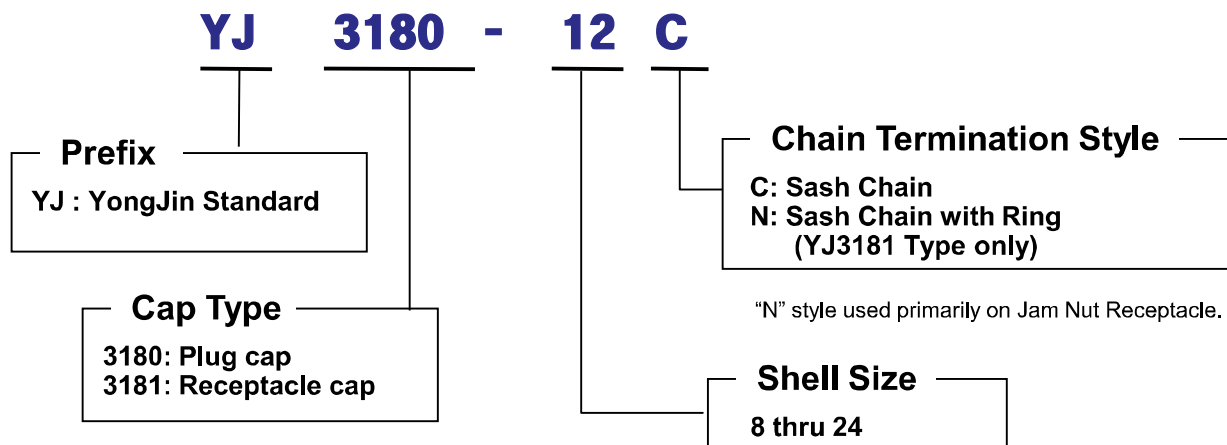


Shell size	A ±0.8	F Max.	H	L Max.	M 0/+0.79	N Min	Q Max.	R Max.
8	11.96	18.26	76.20	14.27	14.27	14.68	18.64	14.27
10	14.94	21.44	76.20	14.27	14.27	17.86	21.82	14.27
12	19.00	25.40	88.90	14.27	14.27	22.63	28.58	14.27
14	22.17	25.58	88.90	14.27	14.27	25.81	28.58	14.27
16	25.35	31.75	88.90	14.27	14.27	28.98	31.75	14.27
18	28.52	34.93	88.90	14.27	14.27	32.16	34.93	14.27
20	31.70	38.10	101.60	15.88	15.88	35.33	38.10	14.27
22	34.87	41.26	101.60	15.88	15.88	38.51	41.26	14.27
24	38.05	44.45	101.60	16.71	16.71	41.68	44.45	15.29

All dimensions are reference only.

26482

## Ordering Information



## Materials & Finishes

	Materials	Finishes
<b>Shell</b>	Aluminum alloy	Olive drab chromate coating cadmium or Ni-Zn plating
<b>Sash chain</b>	Stainless steel or Copper	Passivated
<b>Ring/ Rivet</b>	Stainless steel or Copper	Passivated
<b>Gasket</b>	Polychloroprene or Si rubber	-



# YJ 26482 Series

## Contact Arrangement

### Miniature Connectors



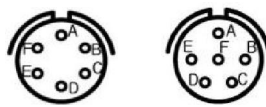
## Contact Arrangement

### Shell Size 8

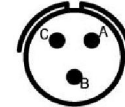


Insert Arrangement	8-2	8-3	8-4	8-33	10-6	10-98	12-3
Service Rating	1	1	1	1	1	1	II
Number of Contacts	2	3	4	3	6	6	3
Contact Size	20	20	20	20	20	20	16

### Shell Size 10



### Shell Size 12



### Shell Size 12



### Shell Size 14



Insert Arrangement	12-8	12-10	14-5	14-12	14-15	14-18	14-19
Service Rating	I	I	II	I	I	I	I
Number of Contacts	8	10	5	8 4	14 1	18	19
Contact Size	20	20	16	20 16	20 16	20	20

### Shell Size 16

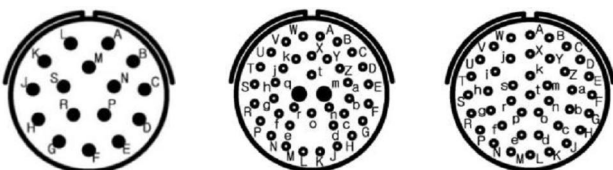


### Shell Size 18

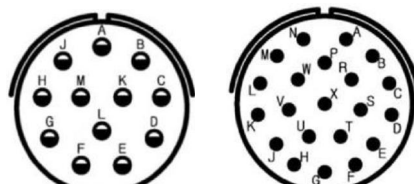


Insert Arrangement	16-8	16-23	16-26	18-11	18-30	18-32
Service Rating	II	I	I	II	I	I
Number of Contacts	8	22 1	26	11	29 1	32
Contact Size	16	20 16	20	16	20 16	20

### Shell Size 20

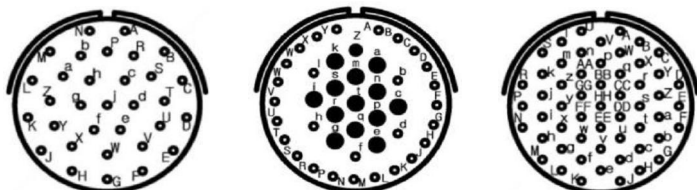


### Shell Size 22

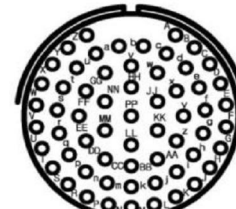


Insert Arrangement	20-16	20-39	20-41	22-12	22-21
Service Rating	II	I	I	I	II
Number of Contacts	16	37 2	41	12	21
Contact Size	16	20 16	20	12	16

### Shell Size 22



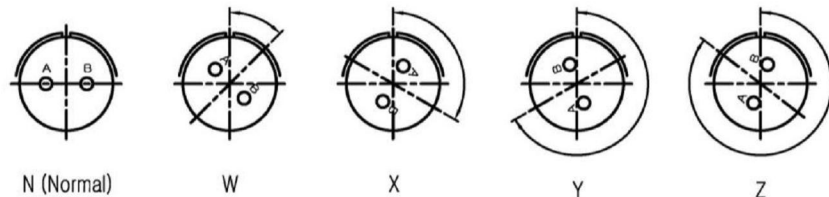
### Shell Size 24



Insert Arrangement	22-32	22-41	22-55	24-61
Service Rating	I	I	I	I
Number of Contacts	32	27 14	55	61
Contact Size	20	20 16	20	20



## Insert Arrangement & Alternate Positioning



Arrange-ment	NO. of Contact	Contact Size	Service Rating	Alternate Positions			
				W	X	Y	Z
8-2	2	# 20	I	58	122	-	-
8-3	3	# 20	I	60	210		
8-4	4	#20	I	45			
8-33	3	#20	I	90			
10-6	6	#20	I	90			
10-98	5	#20	I	90	180	240	270
12-3	3	# 16	II			180	
12-8	8	#20	I	90	112	203	292
12-10	10	#20	I	60	155	270	295
14-5	5	# 16	II	40	92	184	273
14-12	12	8 #20	I	43	90		
		4 #16					
14-15	15	14 #20	I	17	110	155	234
		1 #16					
14-18	18	#20	I	15	90	180	270
14-19	19	#20	I	30	165	315	
16-8	8	#16	II	54	152	180	331
16-23	23	22 #20	I	158	270		
		1 #16					
16-26	26	#20	I	60		275	338
16-99	23	21 #20	I	66	156	223	340
		2 #16					
18-11	11	#16	II	62	119	241	340
18-30	30	29 #20	I	180	193	235	250
		1 #16					
18-32	32	#20	I	85	138	222	265
20-16	16	# 16	II	238	318	333	347
20-24	24	# 20	I	70	145	215	290
20-27	27	# 20	I	72	144	216	288
20-39	39	37 # 20	I	63	144	252	333
		2 # 16					
20-41	41	# 20		45	126	225	-
22-12	12	# 12	I	-	-	-	-
22-21	21	# 16	II	16	135	175	349
22-32	32	# 20	I	72	145	215	288
22-34	34	# 20	I	62	142	218	298
22-41	41	27 # 20	I	39	135	264	-
		14 # 16					
22-55	55	# 20	I	30	142	226	314
24-61	61	# 20	I	90	180	270	324

26482