

# Product data sheet

## Power connectors

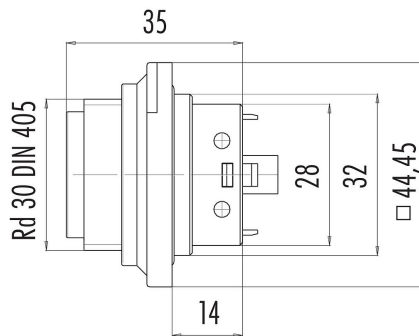


|                     |  |
|---------------------|--|
| Product description | RD30 male panel mount connector, Contacts: 12+PE, unshielded, solder, IP65 |
| Area                | RD30 series 694  |
| Part no.            | 99 0719 00 13  |

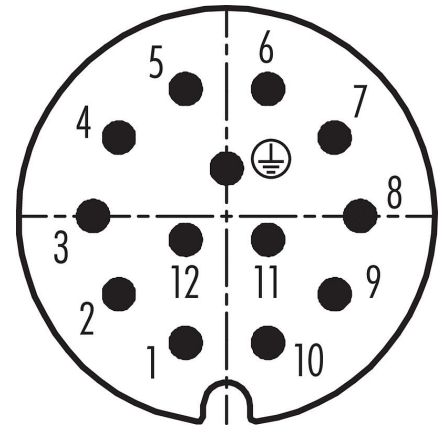
### Illustration



### Scale drawing



### Contact arrangement (Plug-in side)



You can find the assembly instructions on the next page.

## Technical data

### General features

|                           |                                    |
|---------------------------|------------------------------------|
| Part no.                  | 99 0719 00 13                      |
| Connector design          | male panel mount connector         |
| Version                   | male straight                      |
| Connector locking system  | screw                              |
| Termination               | solder                             |
| Degree of protection      | IP65                               |
| Cross-sectional area      | max. 1.00 mm <sup>2</sup> / AWG 17 |
| Temperature range from/to | -40 °C / 100 °C                    |
| Mechanical operation      | > 500 Mating cycles                |
| Weight (g)                | 31.99                              |
| Customs tariff number     | 85369010                           |

### Electrical parameters

|                           |                      |
|---------------------------|----------------------|
| Rated voltage             | 250 V                |
| Rated impulse voltage     | 4000 V               |
| Rated current (40 °C)     | 6,0 A                |
| Insulation resistance     | ≥ 10 <sup>10</sup> Ω |
| Pollution degree          | 3                    |
| Overvoltage category      | III                  |
| Insulating material group | III                  |
| EMC compliance            | unshielded           |

# Product data sheet

## Power connectors



|                     |  |
|---------------------|--|
| Product description | RD30 male panel mount connector, Contacts: 12+PE, unshielded, solder, IP65 |
| Area                | RD30 series 694  |
| Part no.            | 99 0719 00 13  |

### Material

|                       |                                      |
|-----------------------|--------------------------------------|
| Housing material      | PA                                   |
| Contact body material | PA (UL94 HB)                         |
| Contact material      | CuZn (brass)                         |
| Contact plating       | Ag (silver)                          |
| REACH SVHC            | CAS 7439-92-1 (Lead)                 |
| SCIP number           | 067bcb6e-9f65-41f6-a039-926b11627494 |

### Classifications

|             |             |
|-------------|-------------|
| eCl@ss 11.1 | 27-44-01-02 |
| ETIM 7.0    | EC002635    |

**Product data sheet**  
**Power connectors**



|                     |   |
|---------------------|---|
| Product description | <b>RD30 male panel mount connector, Contacts: 12+PE, unshielded, solder, IP65</b> |
| Area                | <b>RD30 series 694</b>  |
| Part no.            | <b>99 0719 00 13</b>  |

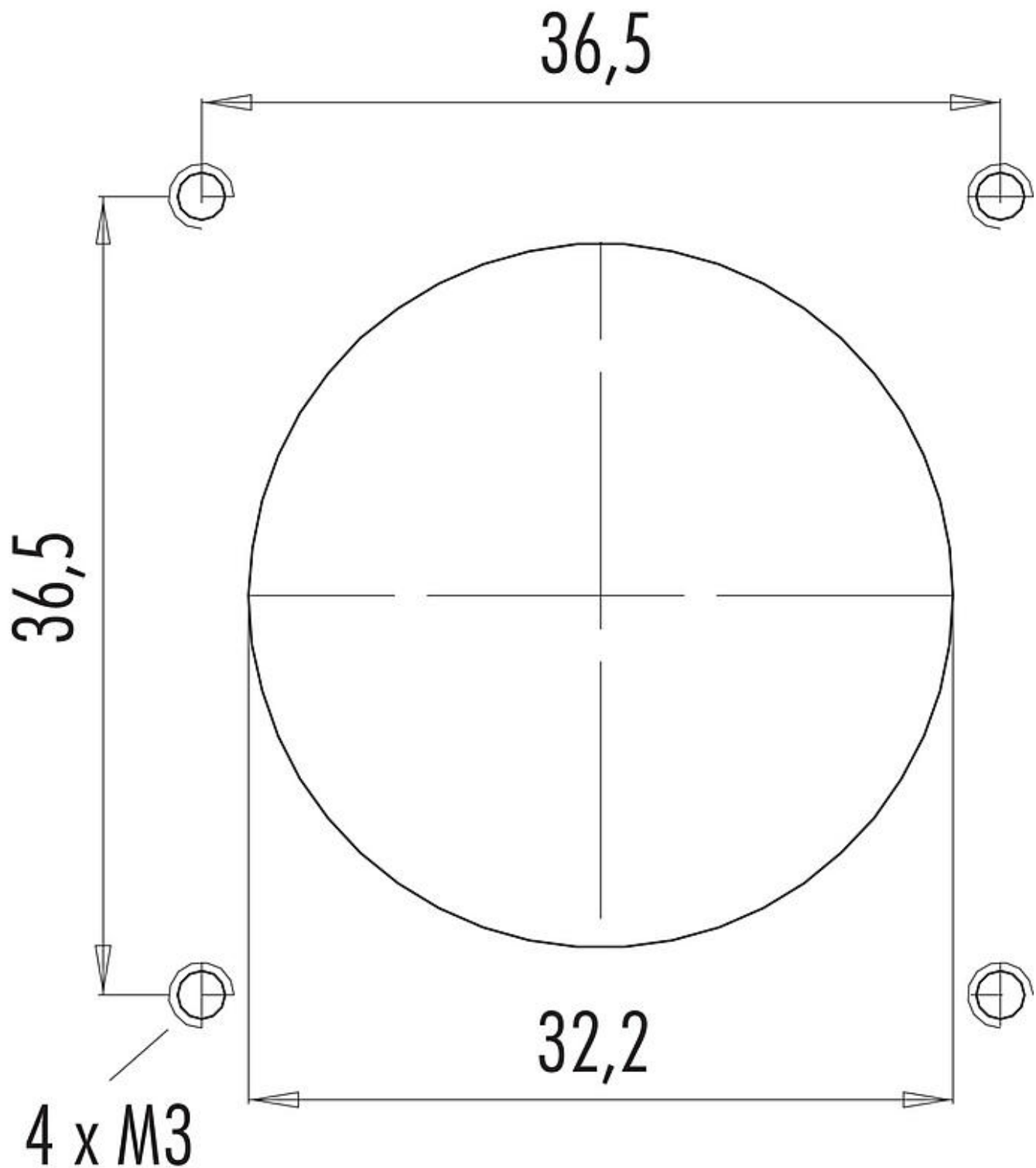
**Product data sheet**  
**Power connectors**



|                     |   |
|---------------------|---|
| Product description | <b>RD30 male panel mount connector, Contacts: 12+PE, unshielded, solder, IP65</b> |
| Area                | <b>RD30 series 694</b>  |
| Part no.            | <b>99 0719 00 13</b>  |

|                     |  |
|---------------------|--|
| Product description | RD30 male panel mount connector, Contacts: 12+PE, unshielded, solder, IP65 |
| Area                | RD30 series 694  |
| Part no.            | 99 0719 00 13  |

Assembly instructions / Panel cut-out



|                     |   |
|---------------------|---|
| Product description | <b>RD30 male panel mount connector, Contacts: 12+PE, unshielded, solder, IP65</b> |
| Area                | <b>RD30 series 694</b>  |
| Part no.            | <b>99 0719 00 13</b>  |

### **Security notices**

The connector must not be plugged or unplugged under load. Non-observance and improper use can result in personal injury.

The connectors have been developed for applications in plant engineering, control and electrical equipment construction. The user is responsible for checking whether the connectors can also be used in other areas of application.

Plug connectors with enclosure protection IP 67 and IP 68 are not suitable for use under water. When used outdoors, the plug connectors must be protected separately against corrosion. For further information on the IP protection classes, please refer to the "Technical Information" download centre.