

Product data sheet

Power connectors

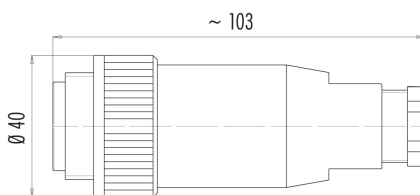


Product description	RD30 male cable connector, Contacts: 12+PE, 14.0 - 18.0 mm, unshielded, solder, IP65
Area	RD30 series 694
Part no.	99 0717 03 13

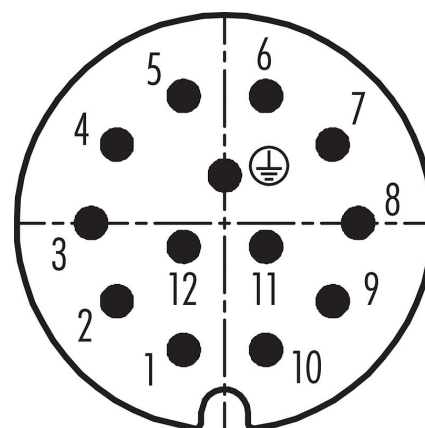
Illustration



Scale drawing



Contact arrangement (Plug-in side)



You can find the component part drawing and assembly instructions on the next page.

Technical data

General features

Part no.	99 0717 03 13
Connector design	male cable connector
Version	male straight
Connector locking system	screw
Termination	solder
Degree of protection	IP65
Cross-sectional area	max. 1.00 mm ² / AWG 17
Cable outlet	14.0 - 18.0 mm
Temperature range from/to	-40 °C / 100 °C
Mechanical operation	> 500 Mating cycles
Weight (g)	72.61
Customs tariff number	85369010

Electrical parameters

Rated voltage	250 V
Rated impulse voltage	4000 V
Rated current (40 °C)	6,0 A
Insulation resistance	≥ 10 ¹⁰ Ω
Pollution degree	3
Overvoltage category	III
Insulating material group	III

Product data sheet

Power connectors

Product description	RD30 male cable connector, Contacts: 12+PE, 14.0 - 18.0 mm, unshielded, solder, IP65
Area	RD30 series 694
Part no.	99 0717 03 13

EMC compliance unshielded

Material

Housing material	PA
Contact body material	PA (UL94 HB)
Contact material	CuZn (brass)
Contact plating	Ag (silver)
REACH SVHC	CAS 7439-92-1 (Lead)
SCIP number	978c5b88-3695-42cd-b71d-f7360abc14b7

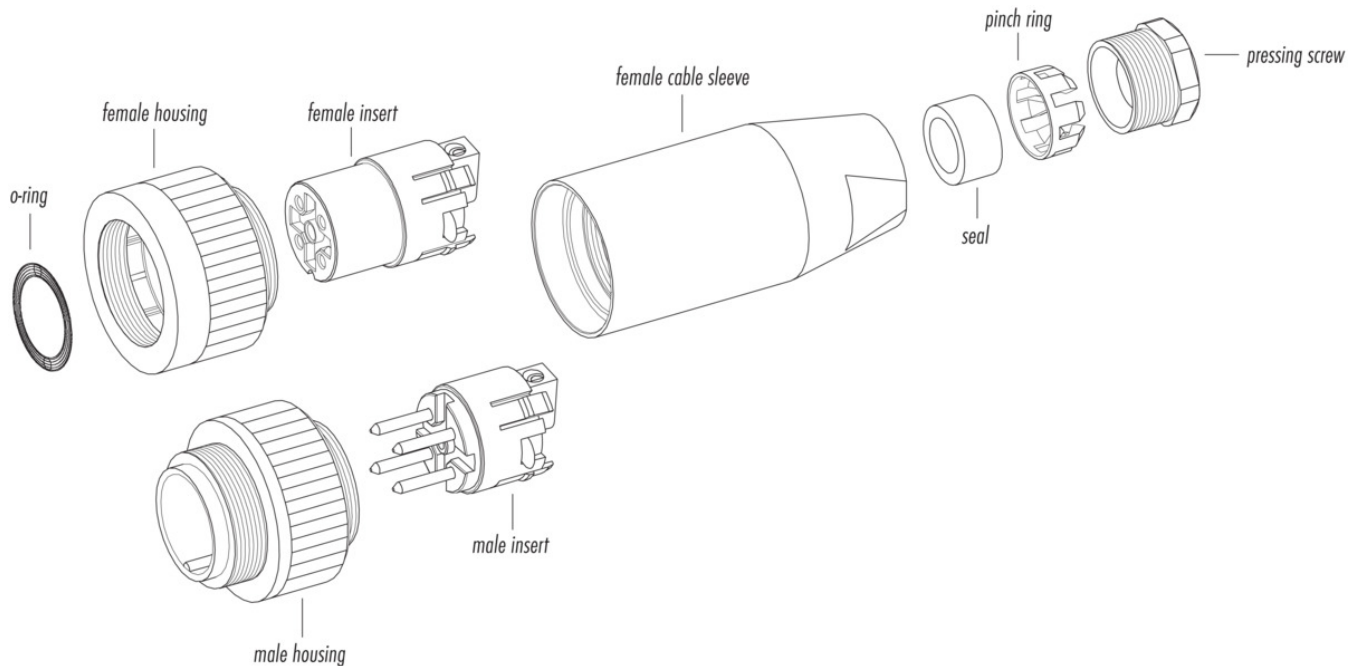
Classifications

eCl@ss 11.1	27-44-01-02
ETIM 7.0	EC002635

Declarations of conformity

Low Voltage Directive	2014/35/EU (EN 60204-1:2018;EN 60529:1991)
-----------------------	--

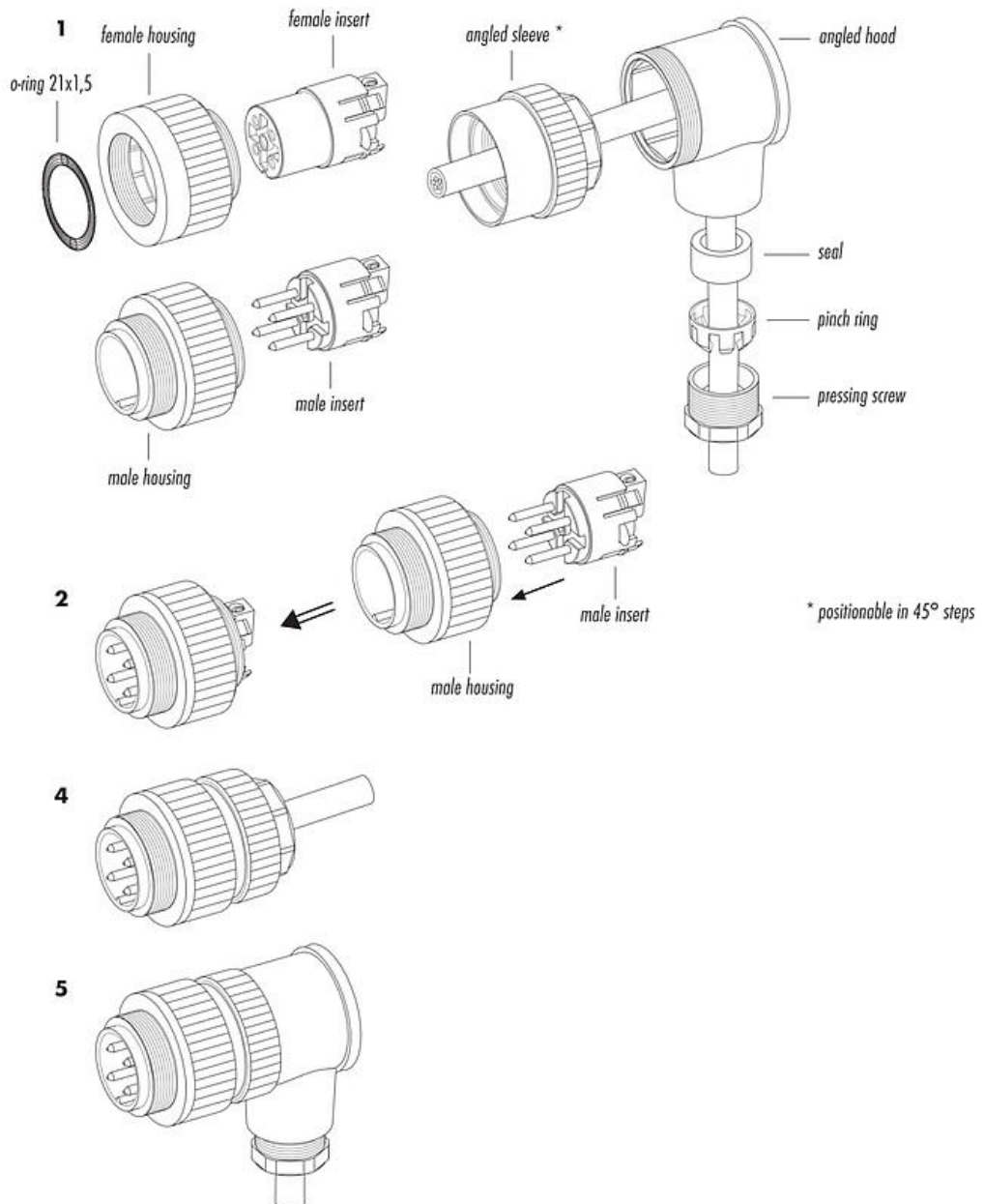
Component part drawing



Product description	RD30 male cable connector, Contacts: 12+PE, 14.0 - 18.0 mm, unshielded, solder, IP65
Area	RD30 series 694
Part no.	99 0717 03 13

Assembly instructions

1. Bead angled hood, sleeve, seal, pinch ring and pressing screw.
2. Clip contact insert into housing.
3. Dismantle cable, strip wire and contact wires.
4. Strongly fasten angled sleeve with preassembled housing up to mechanical stop.
5. Mount remaining parts according to figure.



Product description	RD30 male cable connector, Contacts: 12+PE, 14.0 - 18.0 mm, unshielded, solder, IP65
Area	RD30 series 694
Part no.	99 0717 03 13

Security notices

The connector must not be plugged or unplugged under load. Non-observance and improper use can result in personal injury.

The connectors have been developed for applications in plant engineering, control and electrical equipment construction. The user is responsible for checking whether the connectors can also be used in other areas of application.

To protect against unintentional opening of the connector, the thread between the housing and the connector head must be secured with a suitable cyanoacrylate adhesive when used in circuits with voltages dangerous to the touch. This does not apply to connectors used in SELV and PELV circuits according to IEC 61140 (EN 61140, VDE 0140-1).

Connectors which are used in circuits with voltages dangerous to the touch may only be installed and used by, or under the supervision of, persons with electrical engineering training, taking into account the applicable regulations and standards.

Plug connectors with enclosure protection IP 67 and IP 68 are not suitable for use under water. When used outdoors, the plug connectors must be protected separately against corrosion. For further information on the IP protection classes, please refer to the "Technical Information" download centre.

To lock the cable connector with the device connector, the threaded ring is tightened "hand-tight" (approx. 50 cNm).