

# Product data sheet

## Power connectors

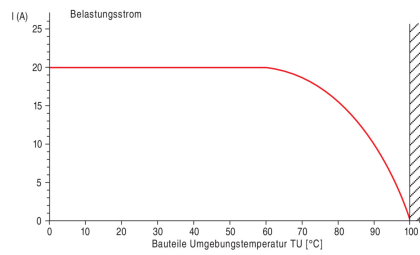


Product description	RD30 female panel mount connector, Contacts: 4+PE, unshielded, screw clamp, IP65, ESTI+, VDE
Area	RD30 series 694
Part no.	99 0712 00 05

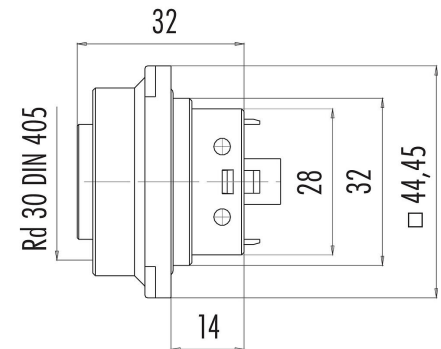
### Illustration



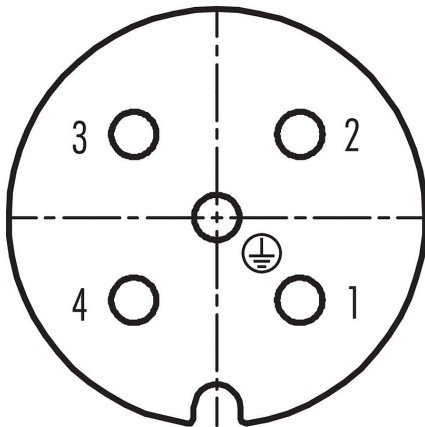
### Derating curve



### Scale drawing



### Contact arrangement (Plug-in side)



You can find the assembly instructions on the next page.

### Technical data

#### General features

Part no.	99 0712 00 05
Connector design	female panel mount connector
Version	female straight
Connector locking system	screw
Termination	screw clamp
Degree of protection	IP65
Cross-sectional area	2.50 mm <sup>2</sup> / AWG 14
Temperature range from/to	-40 °C / 100 °C



# Product data sheet

## Power connectors



Product description	RD30 female panel mount connector, Contacts: 4+PE, unshielded, screw clamp, IP65, ESTI+, VDE
Area	RD30 series 694
Part no.	99 0712 00 05

Mechanical operation	> 500 Mating cycles
Weight (g)	43.25
Customs tariff number	85369010

### Electrical parameters

Rated voltage	400 V
Rated impulse voltage	6000 V
Rated current (40 °C)	20,0 A
Insulation resistance	$\geq 10^{10} \Omega$
Pollution degree	3
Overvoltage category	III
Insulating material group	III
EMC compliance	unshielded

### Material

Housing material	PA
Contact body material	PA (UL94 HB)
Contact material	CuSn (bronze)
Contact plating	Ag (silver)
REACH SVHC	CAS 7439-92-1 (Lead)
SCIP number	b71efa84-a9e2-4bf4-b560-9f3e25629615

### Authorization/approvals

Approvals	ESTI+, VDE
-----------	------------

### Classifications

eCl@ss 11.1	27-44-01-02
ETIM 7.0	EC002635



**Product data sheet**  
**Power connectors**



Product description	<b>RD30 female panel mount connector, Contacts: 4+PE, unshielded, screw clamp, IP65, ESTI+, VDE</b>
Area	<b>RD30 series 694</b>
Part no.	<b>99 0712 00 05</b>



**Product data sheet**  
**Power connectors**

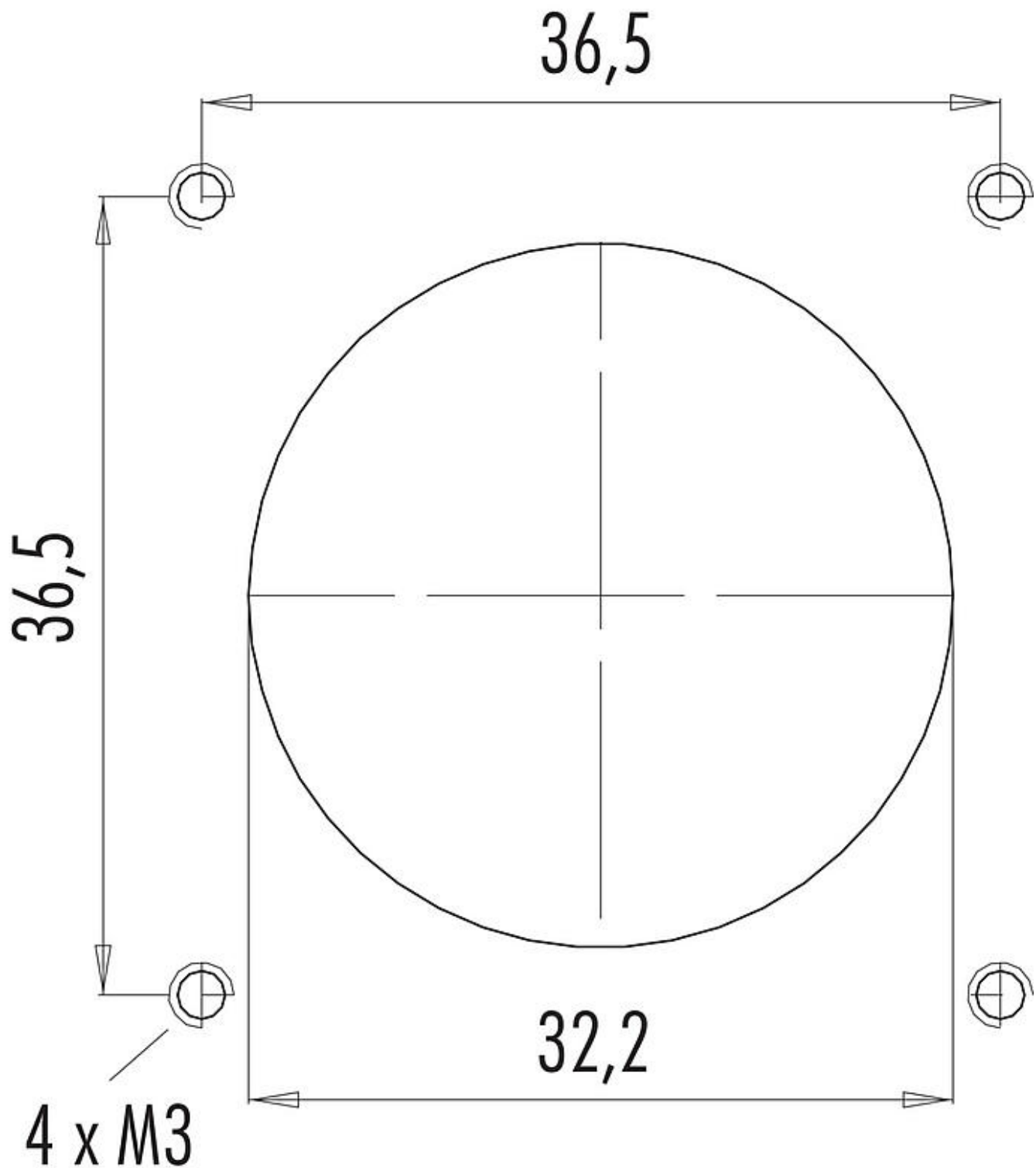


Product description	<b>RD30 female panel mount connector, Contacts: 4+PE, unshielded, screw clamp, IP65, ESTI+, VDE</b>
Area	<b>RD30 series 694</b>
Part no.	<b>99 0712 00 05</b>



Product description	RD30 female panel mount connector, Contacts: 4+PE, unshielded, screw clamp, IP65, ESTI+, VDE
Area	RD30 series 694
Part no.	99 0712 00 05

Assembly instructions / Panel cut-out



Product description	<b>RD30 female panel mount connector, Contacts: 4+PE, unshielded, screw clamp, IP65, ESTI+, VDE</b>
Area	<b>RD30 series 694</b>
Part no.	<b>99 0712 00 05</b>

## Security notices

The connector must not be plugged or unplugged under load. Non-observance and improper use can result in personal injury.

The connectors have been developed for applications in plant engineering, control and electrical equipment construction. The user is responsible for checking whether the connectors can also be used in other areas of application.

The user must take suitable safety precautions to ensure that the connector cannot be accidentally disconnected.

Plug connectors with enclosure protection IP 67 and IP 68 are not suitable for use under water. When used outdoors, the plug connectors must be protected separately against corrosion. For further information on the IP protection classes, please refer to the "Technical Information" download centre.