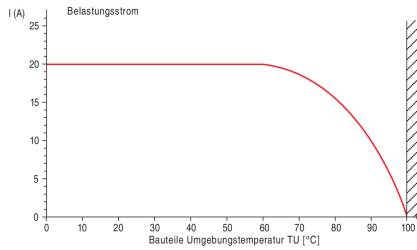


Product description	RD30 male panel mount connector, Contacts: 4+PE, unshielded, screw clamp, IP65, ESTI+, VDE
Area	RD30 series 694
Part no.	99 0711 00 05

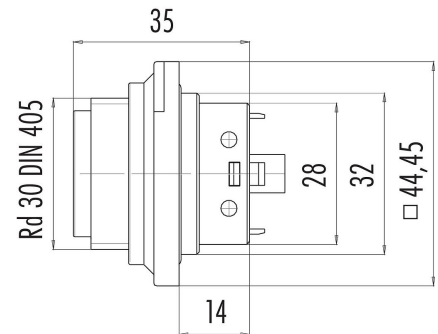
Illustration



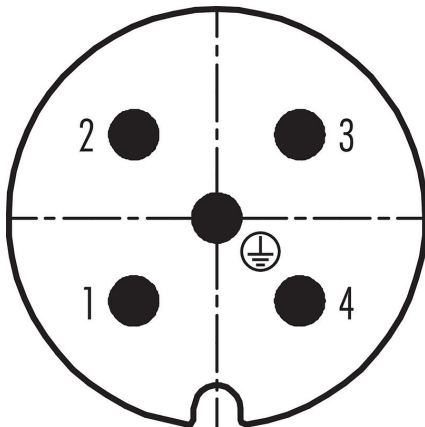
Derating curve



Scale drawing



Contact arrangement (Plug-in side)



You can find the assembly instructions on the next page.

Technical data

General features

Part no.	99 0711 00 05
Connector design	male panel mount connector
Version	male straight
Connector locking system	screw
Termination	screw clamp
Degree of protection	IP65
Cross-sectional area	2.50 mm ² / AWG 14
Temperature range from/to	-40 °C / 100 °C

Product data sheet

Power connectors



Product description	RD30 male panel mount connector, Contacts: 4+PE, unshielded, screw clamp, IP65, ESTI+, VDE
Area	RD30 series 694
Part no.	99 0711 00 05

Mechanical operation	> 500 Mating cycles
Weight (g)	39.47
Customs tariff number	85369010

Electrical parameters

Rated voltage	400 V
Rated impulse voltage	6000 V
Rated current (40 °C)	20,0 A
Insulation resistance	$\geq 10^{10} \Omega$
Pollution degree	3
Overvoltage category	III
Insulating material group	III
EMC compliance	unshielded

Material

Housing material	PA
Contact body material	PA (UL94 HB)
Contact material	CuZn (brass)
Contact plating	Ag (silver)
REACH SVHC	CAS 7439-92-1 (Lead)
SCIP number	560cfc9a-82f4-4fe8-a4cb-f11861c7f50c

Authorization/approvals

Approvals	ESTI+, VDE
-----------	------------

Classifications

eCl@ss 11.1	27-44-01-02
ETIM 7.0	EC002635



Product data sheet
Power connectors



Product description	RD30 male panel mount connector, Contacts: 4+PE, unshielded, screw clamp, IP65, ESTI+, VDE
Area	RD30 series 694
Part no.	99 0711 00 05



Product data sheet
Power connectors

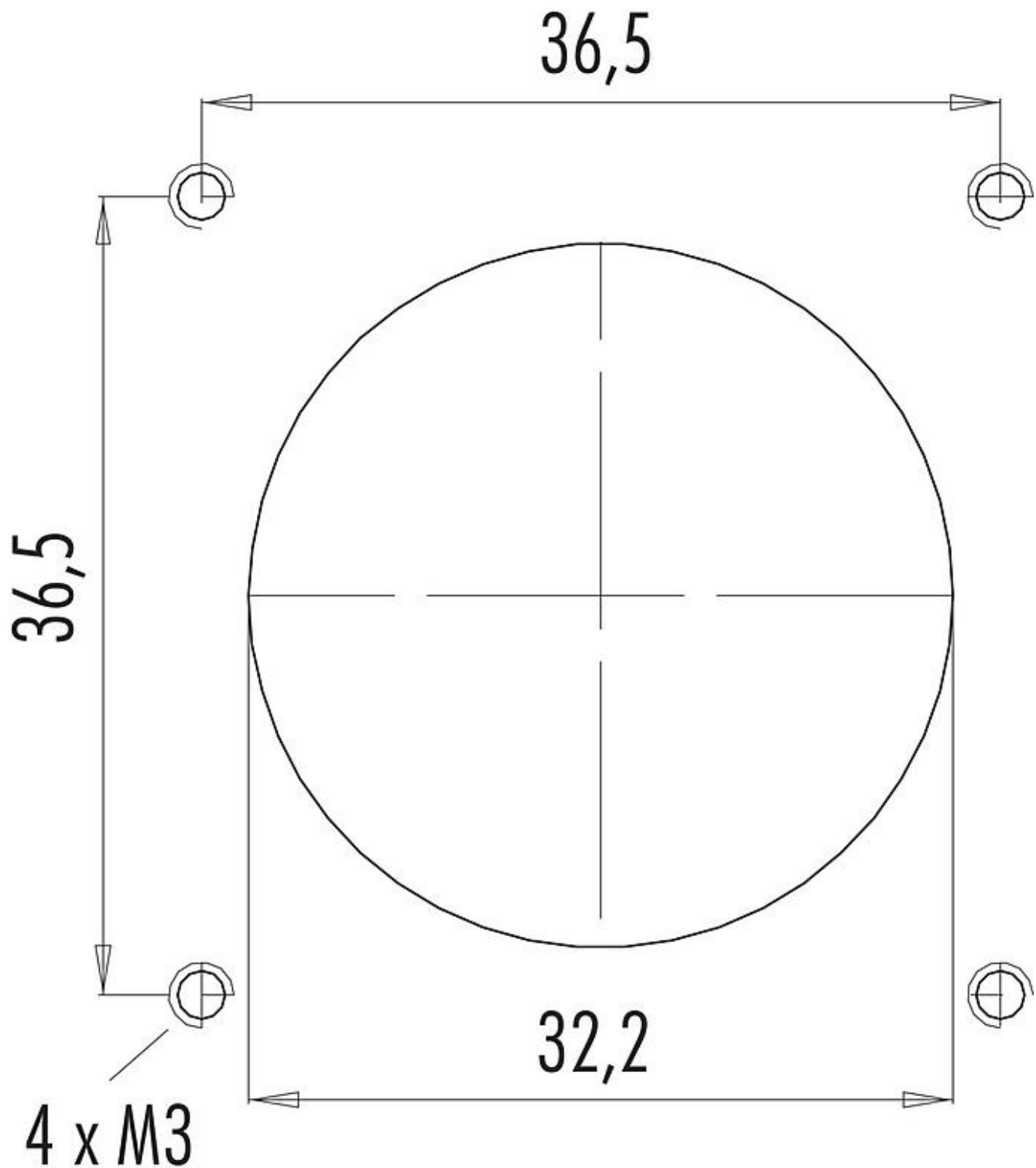


Product description	RD30 male panel mount connector, Contacts: 4+PE, unshielded, screw clamp, IP65, ESTI+, VDE
Area	RD30 series 694
Part no.	99 0711 00 05



Product description	RD30 male panel mount connector, Contacts: 4+PE, unshielded, screw clamp, IP65, ESTI+, VDE
Area	RD30 series 694
Part no.	99 0711 00 05

Assembly instructions / Panel cut-out



Product description	RD30 male panel mount connector, Contacts: 4+PE, unshielded, screw clamp, IP65, ESTI+, VDE
Area	RD30 series 694
Part no.	99 0711 00 05

Security notices

The connector must not be plugged or unplugged under load. Non-observance and improper use can result in personal injury.

The connectors have been developed for applications in plant engineering, control and electrical equipment construction. The user is responsible for checking whether the connectors can also be used in other areas of application.

The user must take suitable safety precautions to ensure that the connector cannot be accidentally disconnected.

Plug connectors with enclosure protection IP 67 and IP 68 are not suitable for use under water. When used outdoors, the plug connectors must be protected separately against corrosion. For further information on the IP protection classes, please refer to the "Technical Information" download centre.