

Product data sheet

Subminiature connectors

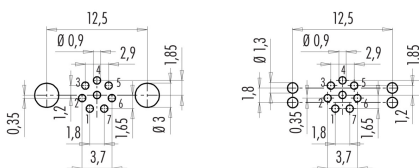


| | |
|---------------------|---|
| Product description | M9 IP67 female panel mount connector, Contacts: 8, shieldable, dip-solder, IP67, front fastened |
| Area | M9 IP67 series 712 |
| Part no. | 09 0428 30 08 |

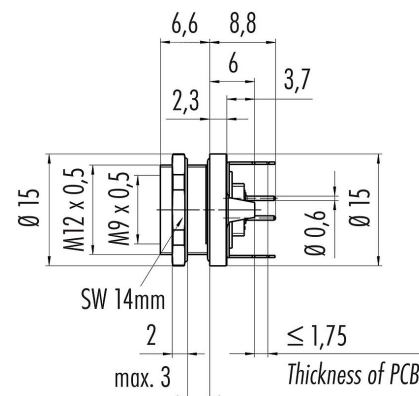
Illustration



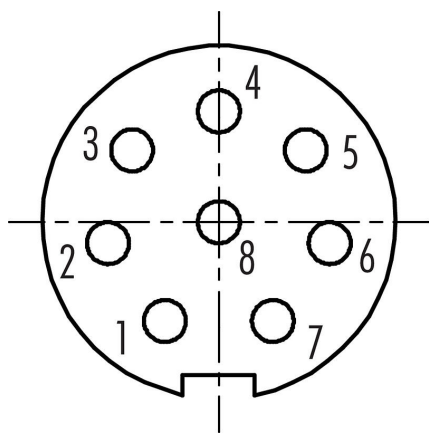
Conductor layout



Scale drawing



Contact arrangement (Plug-in side)



You can find the assembly instructions on the next page.

Technical data

General features

| | |
|--------------------------|------------------------------|
| Part no. | 09 0428 30 08 |
| Connector design | female panel mount connector |
| Version | female straight |
| Connector locking system | screw |
| Termination | dip-solder |
| Degree of protection | IP67 |

Product data sheet

Subminiature connectors



| | |
|---------------------|--|
| Product description | M9 IP67 female panel mount connector, Contacts: 8, shieldable, dip-solder, IP67, front fastened |
| Area | M9 IP67 series 712 |
| Part no. | 09 0428 30 08 |

| | |
|---------------------------|---------------------|
| Temperature range from/to | -40 °C / 85 °C |
| Mechanical operation | > 500 Mating cycles |
| Weight (g) | 6.82 |
| Customs tariff number | 85369010 |

Electrical parameters

| | |
|---------------------------|-----------------------|
| Rated voltage | 125 V |
| Rated impulse voltage | 1500 V |
| Rated current (40 °C) | 1,0 A |
| Insulation resistance | $\geq 10^{10} \Omega$ |
| Pollution degree | 1 |
| Overvoltage category | II |
| Insulating material group | III |
| EMC compliance | shieldable |
| Shield connection | Shielding plate |

Material

| | |
|-----------------------|--------------------------------------|
| Contact body material | PA (UL94 V-0) |
| Contact material | CuSn (bronze) |
| Contact plating | Au (gold) |
| REACH SVHC | CAS 7439-92-1 (Lead) |
| SCIP number | 3fb37218-a85f-4afa-83fb-045b0b224053 |

Classifications

| | |
|-------------|-------------|
| eCl@ss 11.1 | 27-44-01-09 |
| ETIM 7.0 | EC003569 |

Product data sheet
Subminiature connectors



| | |
|---------------------|--|
| Product description | M9 IP67 female panel mount connector, Contacts: 8, shieldable, dip-solder, IP67, front fastened |
| Area | M9 IP67 series 712 |
| Part no. | 09 0428 30 08 |

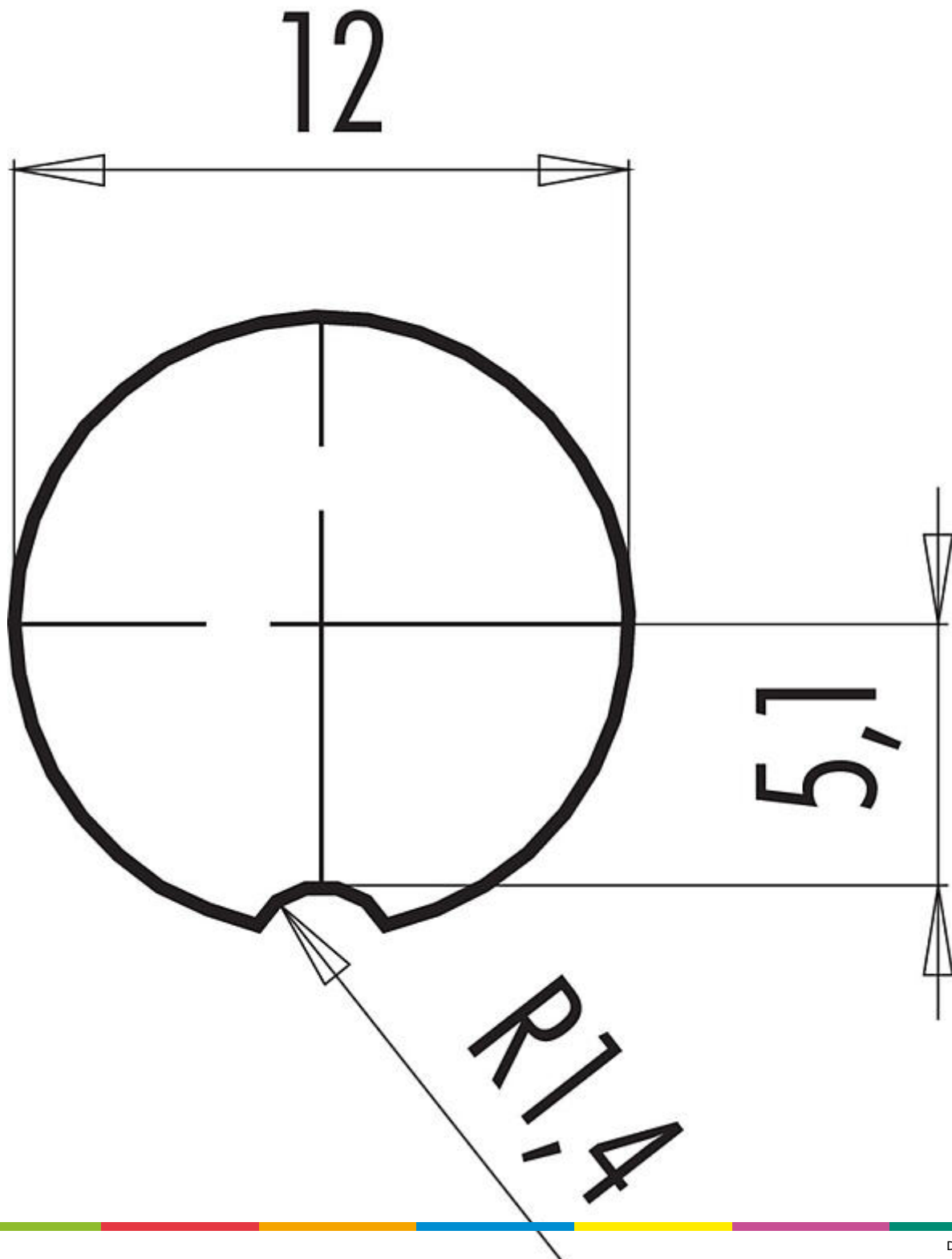
Product data sheet
Subminiature connectors



| | |
|---------------------|--|
| Product description | M9 IP67 female panel mount connector, Contacts: 8, shieldable, dip-solder, IP67, front fastened |
| Area | M9 IP67 series 712 |
| Part no. | 09 0428 30 08 |

| | |
|---------------------|---|
| Product description | M9 IP67 female panel mount connector, Contacts: 8, shieldable, dip-solder, IP67, front fastened |
| Area | M9 IP67 series 712 |
| Part no. | 09 0428 30 08 |

Assembly instructions / Panel cut-out



Product data sheet

Subminiature connectors



| | |
|---------------------|--|
| Product description | M9 IP67 female panel mount connector, Contacts: 8, shieldable, dip-solder, IP67, front fastened |
| Area | M9 IP67 series 712 |
| Part no. | 09 0428 30 08 |

Security notices

The connector must not be plugged or unplugged under load. Non-observance and improper use can result in personal injury.

The connectors have been developed for applications in plant engineering, control and electrical equipment construction. The user is responsible for checking whether the connectors can also be used in other areas of application.

Plug connectors with enclosure protection IP 67 and IP 68 are not suitable for use under water. When used outdoors, the plug connectors must be protected separately against corrosion. For further information on the IP protection classes, please refer to the "Technical Information" download centre.