



ⓘ Discontinued

## Commercial status

Discontinued on: 31 December 2020

End-of-service on: 31 December 2020

## Main

Range of product	Telemecanique Capacitive proximity sensors XT
Sensor type	Capacitive proximity sensor
Product specific application	Detection of insulated materials
Sensor name	XT7
Sensor design	Form 40 x 40 x 117
Size	117 mm
Body type	Plug-in body
Detector flush mounting acceptance	Flush mountable
Material	Plastic
Enclosure material	Plastic
Type of output signal	Discrete
Wiring technique	2-wire
[Sn] nominal sensing distance	15 mm
Discrete output function	1 NO or 1 NC programmable
Output circuit type	AC
Electrical connection	Screw clamp terminal, 3 x 1.5 mm <sup>2</sup>
[Us] rated supply voltage	24...240 V AC 50...60 Hz
Maximum delay response	20 ms
IP degree of protection	IP67 conforming to IEC 60529

## Complementary

Detection face	5 positions turret head
Differential travel	< 0.2 x Sr
Repeat accuracy	< 0.1 x Sr
Cable entry	1 entry tapped for Pg 13.5 cable gland
Status LED	Supply state indication: 1 LED (green) Output state indication: 1 LED (yellow)
Supply voltage limits	20...264 V AC
Maximum residual current	1.5 mA open state
Switching frequency	<= 25 Hz
Maximum voltage drop	<5.5 V (closed)

Maximum delay first up	150 ms
Maximum delay recovery	30 ms
Maximum switching current	350 mA
Marking	CE
Setting-up	Sensitivity by potentiometer
Depth	40 mm
Height	117 mm
Width	40 mm
Net weight	0.22 kg

## Environment

Product certifications	UL CSA
Ambient air temperature for operation	-25...70 °C

## Packing Units

Unit Type of Package 1	PCE
Number of Units in Package 1	1
Package 1 Weight	224 g
Package 1 Height	5 cm
Package 1 width	5 cm
Package 1 Length	14.5 cm
Unit Type of Package 2	S01
Number of Units in Package 2	14
Package 2 Weight	3.387 kg
Package 2 Height	15 cm
Package 2 width	15 cm
Package 2 Length	40 cm

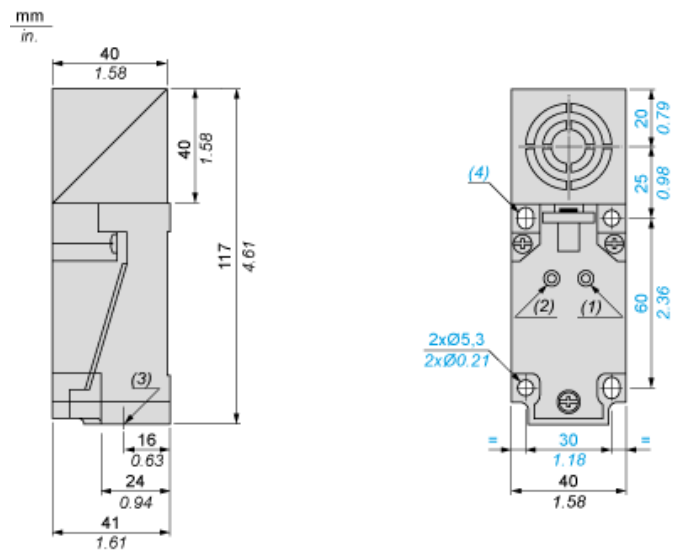
## Offer Sustainability

EU RoHS Directive	Pro-active compliance (Product out of EU RoHS legal scope) <a href="#">EU RoHS Declaration</a>
Mercury free	Yes
RoHS exemption information	<a href="#">Yes</a>
California proposition 65	WARNING: This product can expose you to chemicals including: Diisononyl phthalate (DINP), which is known to the State of California to cause cancer, and Di-isodecyl phthalate (DIDP), which is known to the State of California to cause birth defects or other reproductive harm. For more information go to <a href="http://www.P65Warnings.ca.gov">www.P65Warnings.ca.gov</a>

## Contractual warranty

Warranty	18 months
----------	-----------

Dimensions



- (1) Output LED
- (2) Supply LED
- (3) 1 tapped entry for 13P cable gland
- (4) 2 elongated holes Ø 5.3 x 7

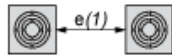
---

Setting-up

---

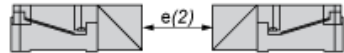
Minimum Mounting Distances (mm)

Side by side



$e(1) \geq 40$

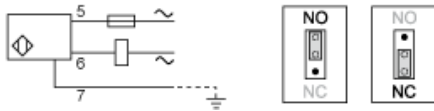
Face to face



$e(2) \geq 120$

## Wiring Diagram

2-wire AC Programmable NO or NC Output, Depending on Position of Link



XT7C40FP262 is replaced by the following product range:



### OsiSense XS & XT

Inductive and capacitive proximity sensors

ex Osiprox, OsiSense XS & XT inductive & capacitive proximity sensors for non contact sensing