



Commercial status

To be discontinued on: 30 June 2021

! To be discontinued

Main

Range of product	Telemecanique Photoelectric sensors XU
Series name	General purpose single mode
Electronic sensor type	Photo-electric sensor receiver
Sensor name	XUM
Sensor design	Miniature
Detection system	Thru beam
Material	Plastic
Type of output signal	Discrete
Supply circuit type	DC
Wiring technique	3-wire
Discrete output type	PNP
Discrete output function	1 NO or 1 NC programmable
Electrical connection	Cable
Cable length	2 m
Product specific application	-
Emission	Red thru beam
[Sn] nominal sensing distance	15 m thru beam need a transmitter XUM2AKCNL2T

Complementary

Enclosure material	PBT
Lens material	PMMA
Output type	Solid state
Add on input	Test by emission breaking
Wire insulation material	PVC
Status LED	1 LED (red) for indicator light 1 LED (green) for instability and supply on
[Us] rated supply voltage	12...24 V DC with reverse polarity protection
Supply voltage limits	10...30 V DC
Switching capacity in mA	<= 100 mA (overload and short-circuit protection)
Switching frequency	<= 1000 Hz
Maximum voltage drop	<3 V (closed state)

Current consumption	13 mA no-load
Maximum delay first up	100 ms
Maximum delay response	0.5 ms
Maximum delay recovery	0.5 ms
Setting-up	Sensitivity adjustment
Depth	20 mm
Height	34 mm
Width	11 mm
Net weight	0.063 kg

Environment

Product certifications	CULus CTick CE
Ambient air temperature for operation	-30...60 °C
Ambient air temperature for storage	-40...70 °C
Vibration resistance	7 gn, amplitude = +/- 1.5 mm (f = 10...55 Hz) conforming to IEC 60068-2-6
Shock resistance	30 gn (duration = 11 ms) conforming to IEC 60068-2-27
IP degree of protection	IP67 conforming to IEC 60529 IP65 conforming to IEC 60529

Packing Units

Package 1 Weight	0.063 kg
Package 1 Height	0.150 dm
Package 1 width	1.500 dm
Package 1 Length	1.500 dm

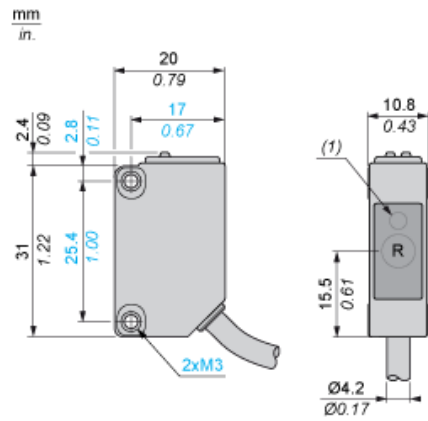
Offer Sustainability

REACH Regulation	REACH Declaration
EU RoHS Directive	Pro-active compliance (Product out of EU RoHS legal scope) EU RoHS Declaration
Mercury free	Yes
RoHS exemption information	Yes
California proposition 65	WARNING: This product can expose you to chemicals including: Diisononyl phthalate (DINP), which is known to the State of California to cause cancer, and Di-isodecyl phthalate (DIDP), which is known to the State of California to cause birth defects or other reproductive harm. For more information go to www.P65Warnings.ca.gov

Contractual warranty

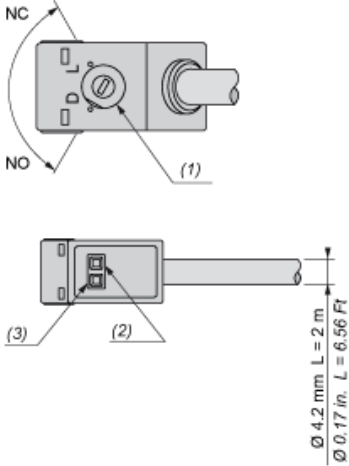
Warranty	18 months
----------	-----------

Receiver's Dimensions



- R : Reception
(1) Output state LED on front face

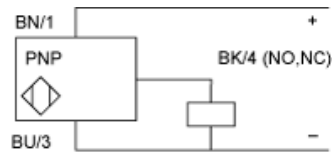
Mounting and Clearance



- (1) Configuration switch
- (2) Output state LED
- (3) Stability and power on LED

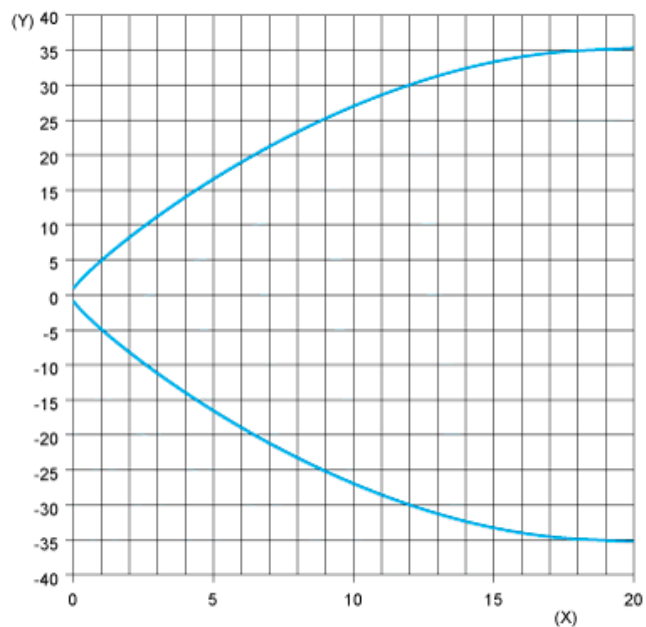
Connections and Schemes

PNP



BN : Brown
BU : Blue
BK : Black

Detection Curves



(Y) Parallel movement (cm)
(X) Distance (m)

XUM2APCNL2R is replaced by the following product range:



OsiSense XU

Photo-electric sensors

ex Osiris, OsiSense XU is for non-contact sensing up to a hundred metres of objects of any shape and any type