

# Product data sheet

## Characteristics

# XMLP025BC21VQ

pressure transmitter - XMLP - 25bars - G1/4A  
male - 4..20mA - DIN - set of 40

Price\* : 91.00 USD



## Commercial status

End-of-service on: 19 January 2021

⚠ Discontinued

### Main

Range of product	OsiSense XM
Product or component type	Electronic pressure sensors
Pressure sensor type	Pressure transmitter
Pressure sensor name	XMLP
Electrical circuit type	Control circuit
Pressure Rating	362.59 psi (25 bar)
Local display	Without
Controlled fluid	Air -4...248 °F (-20...120 °C) Fresh water 32...248 °F (0...120 °C) Hydraulic oil -4...248 °F (-20...120 °C) Gas -4...248 °F (-20...120 °C) Refrigeration fluid -4...248 °F (-20...120 °C)
Fluid connection type	G 1/4A (male) conforming to DIN 3852-E
Electrical connection	1 male connector EN 175301-803-A (ex DIN43650) 3 pins
[Us] rated supply voltage	12...24 V DC SELV 8...30 V)
Current consumption	< 20 mA
Type of output signal	Analogue
Analogue output function	4...20 mA, 2-wire
Quantity per set	Set of 40
Type of packing	Group

### Complementary

Pressure setting range	0.00...362.59 psi (0...25 bar)
Maximum permissible accidental pressure	725.19 psi (50 bar)
Destruction pressure	2900.75 psi (200 bar)
Materials in contact with fluid	Stainless steel type AISI 304 Stainless steel type 17-4PH Fluorocarbon FKM (Viton)
Operating position	Any position
Protection type	Load short-circuit Reverse polarity
Electromagnetic compatibility	Susceptibility to electromagnetic fields EN/IEC 61000-4-3 10 V/m 80...1000 MHz

\* Price is "List Price" and may be subject to a trade discount – check with your local distributor or retailer for actual price.

Jun 14, 2021

Electrical fast transient/burst immunity test conforming to EN/IEC 61000-4-4 2 kV  
 1.2/50  $\mu$ s shock waves immunity test EN/IEC 61000-4-5 500 V 12 Ohm, 1 kV 42 Ohm  
 Radiated RF fields EN/IEC 61000-4-6 10 V 0.15...80 MHz  
 Electrostatic discharge immunity test conforming to EN/IEC 61000-4-2 8 kV air, 4 kV contact

[Uimp] rated impulse withstand voltage	0.5 kV
Response time on output	< 5 ms 92 % of full scale
Measurement accuracy	+/- 0.5 % of the measuring range
Resolution	Infinity
Drift of the sensitivity	+/- 0.02 % of measuring range/°K
Drift of the zero point	+/- 0.02 % of measuring range/°K
Long term stability	+/- 0.2 % of the measuring range
Mechanical durability	10000000 cycles
Net Weight	0.11 lb(US) (0.05 kg)
Diameter	1.18 in (30 mm)
Length	0.98 in (25 mm)

## Environment

Standards	EN/IEC 61326-1 CE
Product certifications	RCM CULus EAC
Protective treatment	TC
Ambient air temperature for operation	-22...212 °F (-30...100 °C)
Ambient air temperature for storage	-22...212 °F (-30...100 °C)
Vibration resistance	20 gn 10...2000 Hz) EN/IEC 60068-2-64
Shock resistance	25 gn 11 ms EN/IEC 60068-2-27
IP degree of protection	IP65 conforming to EN/IEC 60529

## Ordering and shipping details

Category	21561-XMLK,XMLP PRESSURE TRANSMITTERS
Discount Schedule	DS2
GTIN	03389119059275
Package weight(Lbs)	0.13 lb(US) (0.060 kg)
Returnability	No
Country of origin	DE

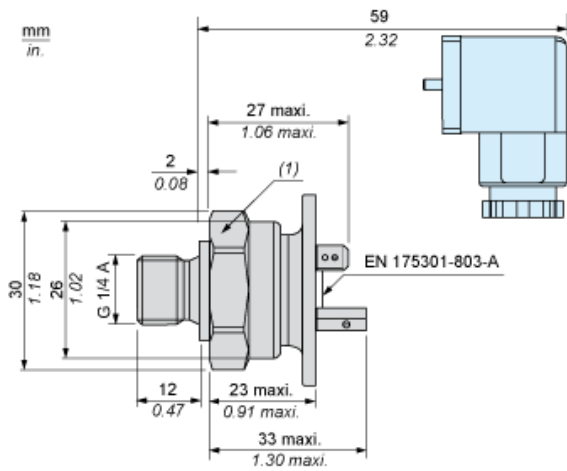
## Packing Units

Package 1 Height	0.770 dm
Package 1 width	1.740 dm
Package 1 Length	2.770 dm

## Contractual warranty

Warranty	18 months
----------	-----------

Dimensions



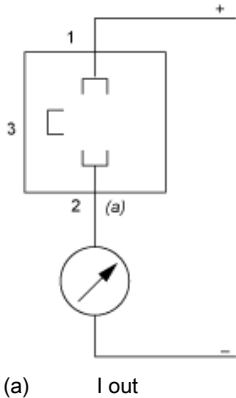
(1) SW27 Tightening torque  $\leq 25$  Nm / 221 Lb-in

---

Wiring Diagram

---

2-Wire Technique (4-20 mA)



(a) I out

---

Curves

---

