

# XMLG100D21

Electronic pressure sensors, Pressure sensors  
XM, sensor XMLG, 0...100 bar, G 1/4 A (male), 24  
V, 4...20 mA



## Main

|                           |  |
|---------------------------|--|
| Range of product          | OsiSense XM  |
| Product or component type | Electronic pressure sensors  |
| Pressure sensor type      | Pressure transmitter   |
| Pressure sensor name      | XMLG   |
| Pressure rating           | 100 bar  |
| Fluid connection type     | G 1/4A (male) conforming to DIN 3852-E   |
| Controlled fluid          | Air (-15...125 °C)<br>Corrosive fluid (-15...125 °C)<br>Hydraulic oil (-15...125 °C)<br>Fresh water (0...125 °C) |
| Type of output signal     | Analogue   |
| Analogue output function  | 4...20 mA, 2 wires   |
| Electrical connection     | 1 male connector M12, 3 pins   |
| [Us] rated supply voltage | 12 V DC (voltage limits: 8...33 V)<br>24 V DC (voltage limits: 8...33 V)   |
| Quantity per set          | Set of 1   |
| Type of packing           | Individual   |
| Diameter                  | 22.8 mm  |

## Complementary

|   |  |
|---|--|
| Pressure setting range                  | 0...100 bar  |
| Maximum permissible accidental pressure | 225 bar  |
| Destruction pressure                    | 250 bar  |
| Local display                           | Without  |
| Electrical circuit type                 | Control circuit  |
| Current consumption                     | < 20 mA  |
| Materials in contact with fluid         | Ceramic<br>Stainless steel type AISI 303<br>FPM (Viton)<br>PPS |

|  |  |
|--|--|
| Operating position                     | Any position   |
| Protection type                        | Reverse polarity<br>Load short-circuit   |
| Surge withstand                        | 1 kV 42 Ohm conforming to EN/IEC 61000-4-5<br>500 kV 12 Ohm conforming to EN/IEC 61000-4-5 |
| [Uimp] rated impulse withstand voltage | 0.5 kV   |
| Response time on output                | < 2 ms   |
| Drift of the sensitivity               | +/- 0.015 % of measuring range/°C  |
| Drift of the zero point                | +/- 0.015 % of measuring range/°C  |
| Measurement accuracy                   | +/- 0.3 % of the measuring range   |
| Repeat accuracy                        | +/- 0.1 % of the measuring range   |
| Mechanical durability                  | 10000000 cycles  |
| Net weight                             | 0.095 kg   |
| Height                                 | 58.1 mm  |
| Length                                 | 48.5 mm  |
| Scale type                             | Fixed differential   |

## Environment

|                                       |   |
|---------------------------------------|---|
| Standards                             | EN/IEC 61326-2-3<br>CE  |
| Product certifications                | UL 508<br>CSA C22.2 No 14<br>EAC  |
| Protective treatment                  | TC  |
| Ambient air temperature for operation | -15...85 °C   |
| Ambient air temperature for storage   | -40...85 °C   |
| Vibration resistance                  | 20 gn (f= 9...2000 Hz) conforming to EN/IEC 60028-2-6   |
| Shock resistance                      | 25 gn for 11 ms conforming to EN/IEC 60068-2-27   |
| Resistance to electrostatic discharge | 15 kV in air conforming to EN/IEC 61000-4-2<br>8 kV on contact conforming to EN/IEC 61000-4-2 |
| Resistance to electromagnetic fields  | 200 V/m 80...1000 Hz conforming to EN/IEC 61000-4-3   |
| Resistance to fast transients         | 4 kV conforming to EN/IEC 61000-4-4   |
| Resistance to conducted disturbances  | 30 V (0.15...80 Hz) conforming to EN/IEC 61000-4-6  |
| Resistance to magnetic fields         | 30 A/m 50 Hz conforming to EN/IEC 61000-4-8   |
| IP degree of protection               | IP66 conforming to EN/IEC 60529<br>IP67 conforming to EN/IEC 60529                            |
| NEMA degree of protection             | NEMA 4  |

## Packing Units

|                              |          |
|------------------------------|----------|
| Unit Type of Package 1       | PCE      |
| Number of Units in Package 1 | 1        |
| Package 1 Weight             | 136 g    |
| Package 1 Height             | 4.8 cm   |
| Package 1 width              | 13.2 cm  |
| Package 1 Length             | 10.6 cm  |
| Unit Type of Package 2       | S02      |
| Number of Units in Package 2 | 12       |
| Package 2 Weight             | 1.888 kg |
| Package 2 Height             | 15 cm    |
| Package 2 width              | 30 cm    |
| Package 2 Length             | 40 cm    |

## Offer Sustainability

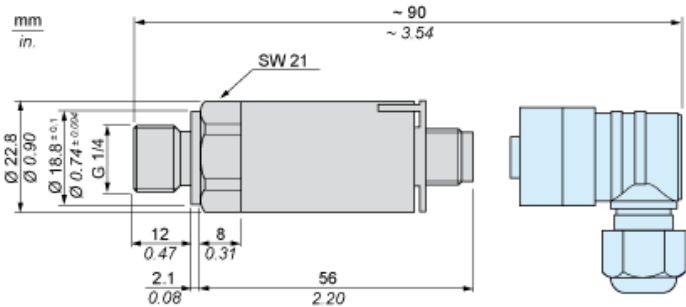
REACH Regulation [REACH Declaration](#)

|                            |   |
|----------------------------|---|
| EU RoHS Directive          | Pro-active compliance (Product out of EU RoHS legal scope)<br><a href="#">EU RoHS Declaration</a>   |
| Mercury free               | Yes   |
| RoHS exemption information | Yes   |
| California proposition 65  | WARNING: This product can expose you to chemicals including: Diisononyl phthalate (DINP), which is known to the State of California to cause cancer, and Di-isodecyl phthalate (DIDP), which is known to the State of California to cause birth defects or other reproductive harm. For more information go to <a href="http://www.P65Warnings.ca.gov">www.P65Warnings.ca.gov</a> |

### Contractual warranty

|          |           |
|----------|-----------|
| Warranty | 18 months |
|----------|-----------|

Dimensions

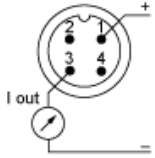


---

## Wiring Diagram

---

### 2-Wire Technique (4-20 mA)



---

Output Curves

---

