

# XMLB001R2S12

Electromechanical pressure sensor, Pressure sensors XM, switch XMLB 1 bar, adjustable scale 2 thresholds, 1 C/O



## Main

|   |   |
|---|---|
| Range of product  | OsiSense XM   |
| Product or component type                               | Electromechanical pressure sensor                         |
| Pressure sensor type                                    | Electromechanical pressure sensor                         |
| Device short name                                       | XMLB  |
| Pressure rating   | 1 bar   |
| Controlled fluid  | Air (0...160 °C)<br>Hydraulic oil (0...160 °C)            |
| Fluid connection type                                   | G 1/4 (female) conforming to ISO 228                      |
| Electrical connection                                   | Screw-clamps terminals, 1 x 0.5...2 x 2.5 mm <sup>2</sup> |
| AWG gauge   | AWG 20...AWG 14   |
| Cable entry   | Cable gland 7...13 mm                                     |
| Contacts type and composition                           | 1 C/O   |
| Product specific application                            | -   |
| Pressure switch type of operation                       | Regulation between 2 thresholds                           |
| Electrical circuit type                                 | Control circuit   |
| Scale type  | Adjustable differential                                   |
| Local display   | With  |
| Adjustable range of switching point on rising pressure  | 0.05...1 bar  |
| Adjustable range of switching point on falling pressure | 0.01...0.94 bar   |
| Possible differential maximum at high setting           | 0.75 bar  |
| Maximum permissible accidental pressure                 | 2.25 bar  |
| Destruction pressure                                    | 4.5 bar   |
| Pressure actuator                                       | Diaphragm   |

Disclaimer: This documentation is not intended as a substitute for and is not to be used for determining suitability or reliability of these products for specific user applications

|                                 |  |
|---------------------------------|--|
| Materials in contact with fluid | 304L stainless steel<br>FPM, FKM<br>Steel  |
| Enclosure material              | Zinc alloy   |
| [In] rated current              | 3 A, B300, AC-15 (Ue = 120 V) conforming to EN/IEC 60947-5-1<br>1.5 A, B300, AC-15 (Ue = 240 V) conforming to EN/IEC 60947-5-1<br>0.1 A, R300, DC-13 (Ue = 250 V) conforming to EN/IEC 60947-5-1 |

## Complementary

|   |   |
|---|---|
| Possible differential minimum at low setting  | 0.04 bar (+/- 10 mbar)  |
| Possible differential minimum at high setting | 0.06 bar (+/- 20 mbar)  |
| Maximum permissible pressure - per cycle      | 1.25 bar  |
| Terminal block type                           | 4 terminals   |
| Maximum operating rate                        | 120 cyc/mn  |
| Repeat accuracy                               | 2 %   |
| [Ui] rated insulation voltage                 | 300 V conforming to UL 508<br>500 V conforming to EN/IEC 60947-1<br>300 V conforming to CSA C22.2 No 14 |
| [Uimp] rated impulse withstand voltage        | 6 kV EN/IEC 60947-1   |
| Auxiliary contacts operation                  | Snap action   |
| Contacts material                             | Silver contacts   |
| Maximum resistance across terminals           | 25 mOhm conforming to IEC 255-7 category 3<br>25 mOhm conforming to NF C 93-050 method A                |
| Short-circuit protection                      | 10 A cartridge fuse, type gG (gl)   |
| Mechanical durability                         | 4000000 cycles  |
| Setting                                       | External  |
| Height  | 162 mm  |
| Depth   | 110 mm  |
| Width   | 110 mm  |
| Net weight                                    | 2.575 kg  |

## Environment

|                                       |  |
|---------------------------------------|--|
| Standards                             | CE<br>UL 508<br>CSA C22.2 No 14<br>EN/IEC 60947-5-1  |
| Product certifications                | LROS (Lloyds register of shipping)<br>BV<br>CCC<br>UL<br>EAC<br>CSA                                  |
| Protective treatment                  | TC standard version  |
| Ambient air temperature for operation | -25...70 °C  |
| Ambient air temperature for storage   | -40...70 °C  |
| Operating position                    | Any position   |
| Vibration resistance                  | 2 gn conforming to IEC 60068-2-6 (f = 30...500 Hz)   |
| Shock resistance                      | 30 gn conforming to IEC 60068-2-27   |
| Electrical shock protection class     | Class I conforming to IEC 1140<br>Class I conforming to IEC 536<br>Class I conforming to NF C 20-030 |
| IP degree of protection               | IP66 conforming to EN/IEC 60529  |

## Packing Units

|                        |     |
|------------------------|-----|
| Unit Type of Package 1 | PCE |
|------------------------|-----|

|                              |          |
|------------------------------|----------|
| Number of Units in Package 1 | 1        |
| Package 1 Weight             | 2.442 kg |
| Package 1 Height             | 16 cm    |
| Package 1 width              | 15.5 cm  |
| Package 1 Length             | 15.5 cm  |

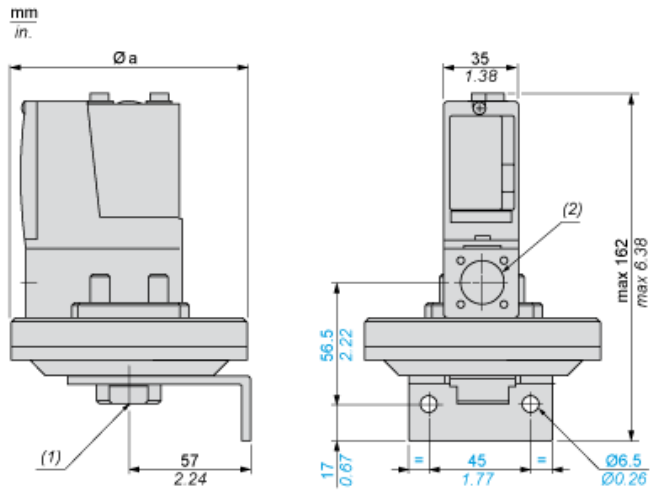
### Offer Sustainability

|                            |   |
|----------------------------|---|
| Sustainable offer status   | Green Premium product   |
| REACH Regulation           | <a href="#">REACH Declaration</a>   |
| EU RoHS Directive          | Pro-active compliance (Product out of EU RoHS legal scope)<br><a href="#">EU RoHS Declaration</a>   |
| Mercury free               | Yes   |
| RoHS exemption information | <a href="#">Yes</a>   |
| Environmental Disclosure   | <a href="#">Product Environmental Profile</a>   |
| California proposition 65  | WARNING: This product can expose you to chemicals including: Diisononyl phthalate (DINP), which is known to the State of California to cause cancer, and Di-isodecyl phthalate (DIDP), which is known to the State of California to cause birth defects or other reproductive harm. For more information go to <a href="http://www.P65Warnings.ca.gov">www.P65Warnings.ca.gov</a> |

### Contractual warranty

|          |           |
|----------|-----------|
| Warranty | 18 months |
|----------|-----------|

Dimensions



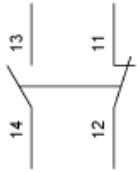
- $\varnothing a =$  110 mm / 4.33 in.  
(1) 1 fluid entry, tapped G1/4 (BSP female)  
(2) 1 electrical connections entry, tapped M20 x 1.5

---

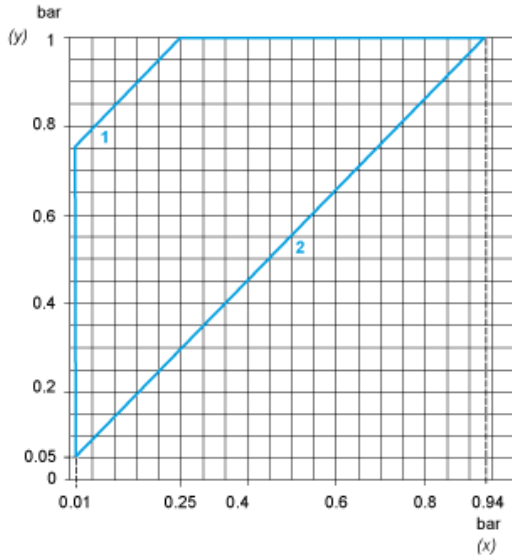
Wiring Diagram

---

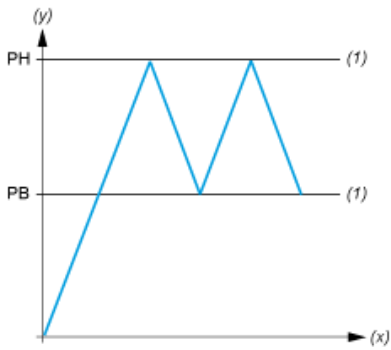
Terminal Model



Operating Curves



(y) Rising pressure  
(x) Falling pressure  
1 : Maximum differential  
2 : Minimum differential



(y) Pressure  
(x) Time  
(1) Adjustable value  
PH : High point  
PB : Below point