

# TM2DMM8DRT

Discrete I/O module, Modicon M238 logic controller, 4 inputs 24 V DC, 4 outputs relay, 1 terminal block



## Commercial status

Discontinued on: 28 June 2019

To be end-of-service on: 30 June 2024

ⓘ Restricted Sales for Services

### Main

Range of product	Modicon M238 logic controller
Product or component type	Discrete I/O module
Discrete input number	4
Discrete input voltage	24 V
Discrete input voltage type	DC
Discrete output number	4
Discrete output type	Relay

### Complementary

Range compatibility	Twido Advantys OTB
Input voltage limits	20.4...28.8 V
Discrete input logic	Sink or source
Discrete input current	7 mA
Input impedance	3.4 kOhm
Discrete output function	1 NO
Current per channel	2 A
Maximum current per output common	7 A
Number of common point	1 for output 1 for input
Contact resistance	45 mOhm
Response time	<= 10 ms from state 0 to state 1 for output <= 5 ms from state 1 to state 0 for output 4 ms at state 0 for input 4 ms at state 1 for input
Minimum switching current	0.1 mA at 0.1 V DC
Isolation between channels	None

Disclaimer: This documentation is not intended as a substitute for and is not to be used for determining suitability or reliability of these products for specific user applications

Isolation between channels and internal logic	2300 V for 1 minute (output) 500 V for 1 minute (input)
Isolation between input channel and output channel	1500 V for 1 minute
Isolation between output channels group	1500 V for 1 minute
Mechanical durability	20000000 cycles
Electrical durability	100000 cycles 0.5 A AC-15 240 V AC cos phi = 0.35 inductive 100000 cycles 1 A AC-15 240 V AC cos phi = 0.7 inductive 100000 cycles 1 A DC-13 24 V DC inductive (L/R = 7 ms) 100000 cycles 2 A 240 V AC resistive 100000 cycles 2 A 30 V DC resistive
Current consumption	20 mA at 24 V DC at state 1 for all input/output 25 mA at 5 V DC at state 1 for all input/output
Local signalling	1 display block
Electrical connection	1 removable screw terminal block
Mounting support	35 mm symmetrical DIN rail
Net weight	0.095 kg

## Environment

Depth	70 mm
Height	90 mm
Width	42.9 mm

## Packing Units

Package 1 Weight	0.192 kg
Package 1 Height	75.000 mm
Package 1 width	110.000 mm
Package 1 Length	130.000 mm

## Offer Sustainability

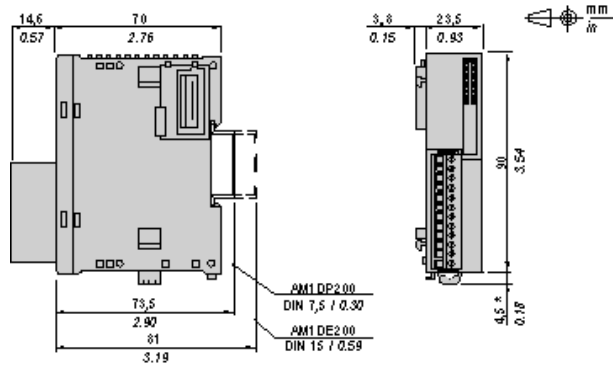
Sustainable offer status	Green Premium product
REACH Regulation	<a href="#">REACH Declaration</a>
REACH free of SVHC	Yes
EU RoHS Directive	Pro-active compliance (Product out of EU RoHS legal scope) <a href="#">EU RoHS Declaration</a>
Mercury free	Yes
RoHS exemption information	<a href="#">Yes</a>
China RoHS Regulation	<a href="#">China RoHS declaration</a>
Environmental Disclosure	<a href="#">Product Environmental Profile</a>
Circularity Profile	<a href="#">End of Life Information</a>
WEEE	The product must be disposed on European Union markets following specific waste collection and never end up in rubbish bins
PVC free	Yes
California proposition 65	WARNING: This product can expose you to chemicals including: Lead and lead compounds, which is known to the State of California to cause cancer and birth defects or other reproductive harm. For more information go to <a href="http://www.P65Warnings.ca.gov">www.P65Warnings.ca.gov</a>

## Contractual warranty

Warranty	18 months
----------	-----------

Digital Mixed I/O Module (8-channel)

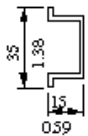
Dimensions



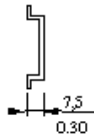
NOTE: \* 8.5 mm (0.33 in) when the clamp is pulled out.

DIN Rail Mounting

AM1DE200  
 IEC/EN 60715



AM1DP200



AM1ED200



DZ5MB200

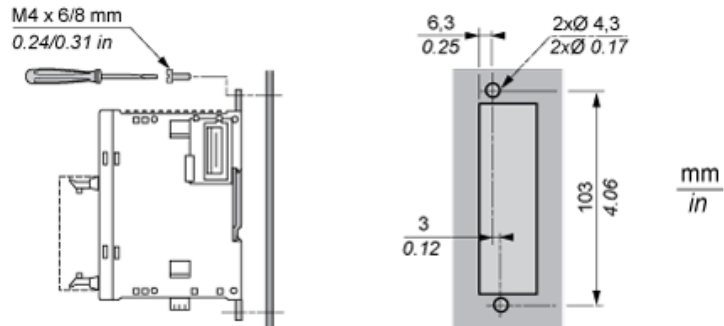


Rail depth	Catalogue part number
15 mm (0.59 in.)	AM1DE200
7,5 mm (0.30 in.)	AM1DP200

NOTE: Do not use AM1ED200 and DZ5MB200

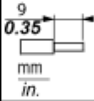

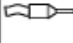
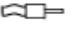




Module Mounting on a Panel Surface

Mounting Hole Layout



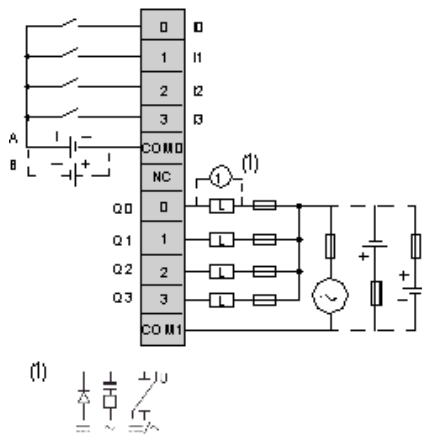
Wiring Requirements

Cable Types and Wire Sizes for Removable Screw Terminal Block

							
mm <sup>2</sup>	0,14...1,5	0,25...0,5	0,25...1,5	0,14...0,5	0,14...0,75	0,25...0,34	0,5
AWG	26...16	24...20	24...16	26...20	26...18	24...22	20

Digital Mixed I/O Module (8-channel)

Wiring Diagram



- A Sink wiring (positive logic)
- B Source wiring (negative logic)
- L Load

Fuse value for the load: 2 A

Fuse value for the power supply: 7 A

TM2DMM8DRT is replaced by the following product range:



**Modicon TM3**

Expansion I/O modules for Modicon M221, M241, M251 and M262

Boost the performance of your controller with the Modicon TM3 I/O system specially designed for the Modicon M221, M241, M251 and M262 logic controllers!