

TM2DMM24DRF

Discrete I/O module, Modicon M238 logic controller, 16 inputs 24 V DC, 8 output relay, terminal block



Commercial status

Discontinued on: 28 June 2019

To be end-of-service on: 30 June 2024

ⓘ Restricted Sales for Services

Main

Range of product	Modicon M238 logic controller
Product or component type	Discrete I/O module
Discrete input number	16
Discrete input voltage	24 V
Discrete input voltage type	DC
Discrete output number	8
Discrete output type	Relay

Complementary

Range compatibility	Twido Advantys OTB
Input voltage limits	20.4...28.8 V
Discrete input logic	Sink or source
Discrete input current	7 mA
Input impedance	3.4 kOhm
Discrete output function	1 NO
Current per channel	2 A
Maximum current per output common	7 A
Number of common point	2 for output 1 for input
Contact resistance	45 mOhm
Response time	<= 10 ms from state 0 to state 1 for output <= 5 ms from state 1 to state 0 for output 4 ms at state 0 for input 4 ms at state 1 for input
Minimum switching current	0.1 mA at 0.1 V DC
Isolation between channels	None

Disclaimer: This documentation is not intended as a substitute for and is not to be used for determining suitability or reliability of these products for specific user applications

Isolation between channels and internal logic	2300 V for 1 minute (output) 500 V for 1 minute (input)
Isolation between input channel and output channel	1500 V for 1 minute
Isolation between output channels group	1500 V for 1 minute
Mechanical durability	20000000 cycles
Electrical durability	100000 cycles 0.5 A AC-15 240 V AC cos phi = 0.35 inductive 100000 cycles 1 A AC-15 240 V AC cos phi = 0.7 inductive 100000 cycles 1 A DC-13 24 V DC inductive (L/R = 7 ms) 100000 cycles 2 A 240 V AC resistive 100000 cycles 2 A 30 V DC resistive
Current consumption	45 mA at 24 V DC at state 1 for all input/output 65 mA at 5 V DC at state 1 for all input/output
Local signalling	1 display block
Electrical connection	1 spring terminal block
Mounting support	35 mm symmetrical DIN rail
Net weight	0.14 kg

Environment

Depth	70 mm
Height	90 mm
Width	42.9 mm

Packing Units

Package 1 Weight	0.230 kg
Package 1 Height	70.000 mm
Package 1 width	105.000 mm
Package 1 Length	125.000 mm

Offer Sustainability

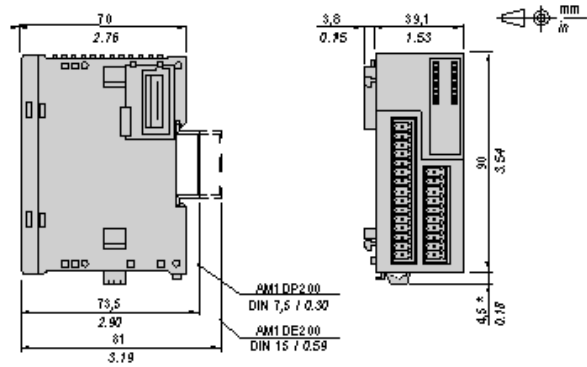
Sustainable offer status	Green Premium product
REACH Regulation	REACH Declaration
REACH free of SVHC	Yes
EU RoHS Directive	Pro-active compliance (Product out of EU RoHS legal scope) EU RoHS Declaration
Mercury free	Yes
RoHS exemption information	Yes
China RoHS Regulation	China RoHS declaration
Environmental Disclosure	Product Environmental Profile
Circularity Profile	End of Life Information
WEEE	The product must be disposed on European Union markets following specific waste collection and never end up in rubbish bins
PVC free	Yes
California proposition 65	WARNING: This product can expose you to chemicals including: Lead and lead compounds, which is known to the State of California to cause cancer and birth defects or other reproductive harm. For more information go to www.P65Warnings.ca.gov

Contractual warranty

Warranty	18 months
----------	-----------

Digital Mixed I/O Module (24-channel)

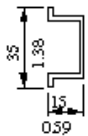
Dimensions



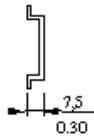
NOTE: * 8.5 mm (0.33 in) when the clamp is pulled out.

DIN Rail Mounting

AM1DE200
 IEC/EN 60715



AM1DP200



AM1ED200



DZ5MB200

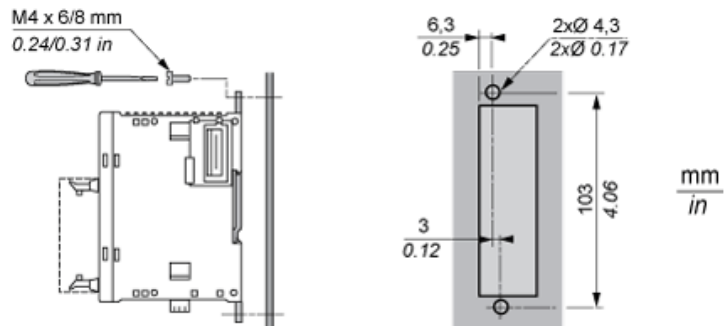


Rail depth	Catalogue part number
15 mm (0.59 in.)	AM1DE200
7,5 mm (0.30 in.)	AM1DP200

NOTE: Do not use AM1ED200 and DZ5MB200

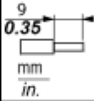
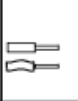
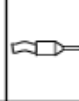
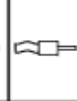



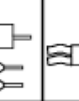
Module Mounting on a Panel Surface

Mounting Hole Layout



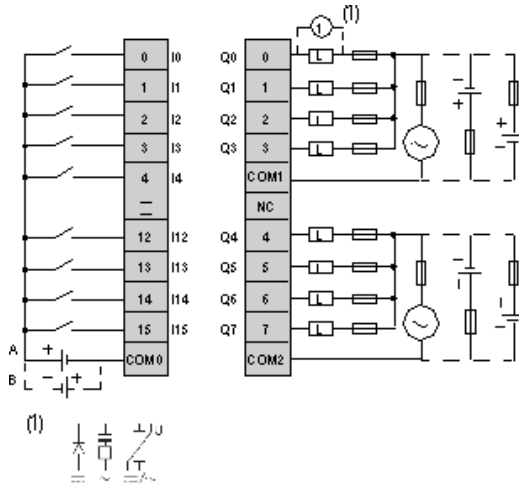
Wiring Requirements

Cable Types and Wire Sizes for Removable Screw Terminal Block

 <p>9 0.35 mm in.</p>							
mm ²	0,14...1,5	0,25...0,5	0,25...1,5	0,14...0,5	0,14...0,75	0,25...0,34	0,5
AWG	26...16	24...20	24...16	26...20	26...18	24...22	20

Digital Mixed I/O Module (24-channel)

Wiring Diagram



A Sink wiring (positive logic)
 B Source wiring (negative logic)
 Fuse value for the load: 2 A
 Fuse value for the power supply: 7 A

TM2DMM24DRF is replaced by the following product range:



Modicon TM3

Expansion I/O modules for Modicon M221, M241, M251 and M262

Boost the performance of your controller with the Modicon TM3 I/O system specially designed for the Modicon M221, M241, M251 and M262 logic controllers!