

TM2DDI8DT

Discrete input module, Modicon M238 logic controller, 8 inputs 24 V DC, 1 removable screw terminal block



Commercial status

Discontinued on: 28 June 2019

To be end-of-service on: 30 June 2024

ⓘ Restricted Sales for Services

Main

| | |
|-----------------------------|-------------------------------|
| Range of product | Modicon M238 logic controller |
| Product or component type | Discrete input module |
| Discrete input number | 8 |
| Discrete input voltage | 24 V |
| Discrete input voltage type | DC |

Complementary

| | |
|---|--|
| Range compatibility | Advantys OTB Twido |
| Input voltage limits | 20.4...28.8 V |
| Discrete input logic | Sink or source |
| Discrete input current | 7 mA |
| Input impedance | 3.4 kOhm |
| Number of common point | 1 |
| Response time | 4 ms at state 0 4 ms at state 1 |
| Isolation between channels | None |
| Isolation between channels and internal logic | 500 V for 1 minute |
| Current consumption | 25 mA at 5 V DC at state 1 for all input |
| Local signalling | 1 display block |
| Electrical connection | 1 removable screw terminal block |
| Mounting support | 35 mm symmetrical DIN rail |
| Net weight | 0.1 kg |

Disclaimer: This documentation is not intended as a substitute for and is not to be used for determining suitability or reliability of these products for specific user applications

Environment

| | |
|--------|---------|
| Depth | 84.6 mm |
| Height | 90 mm |
| Width | 23.5 mm |

Packing Units

| | |
|------------------|-----------|
| Package 1 Weight | 0.182 kg |
| Package 1 Height | 7.600 cm |
| Package 1 width | 10.600 cm |
| Package 1 Length | 12.800 cm |

Offer Sustainability

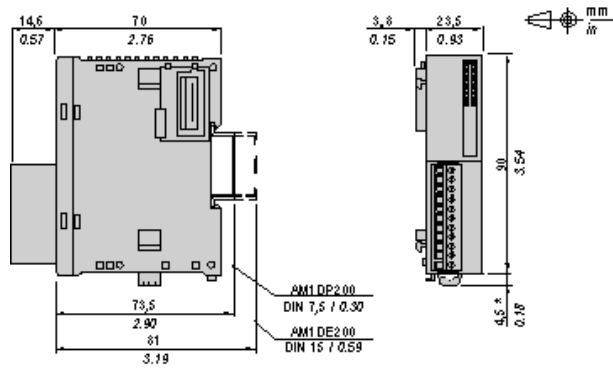
| | |
|----------------------------|---|
| Sustainable offer status | Green Premium product |
| REACH Regulation | REACH Declaration |
| REACH free of SVHC | Yes |
| EU RoHS Directive | Pro-active compliance (Product out of EU RoHS legal scope) EU RoHS Declaration |
| Mercury free | Yes |
| RoHS exemption information | Yes |
| China RoHS Regulation | China RoHS declaration |
| Environmental Disclosure | Product Environmental Profile |
| Circularity Profile | End of Life Information |
| WEEE | The product must be disposed on European Union markets following specific waste collection and never end up in rubbish bins |
| PVC free | Yes |
| California proposition 65 | WARNING: This product can expose you to chemicals including: Lead and lead compounds, which is known to the State of California to cause cancer and birth defects or other reproductive harm. For more information go to www.P65Warnings.ca.gov |

Contractual warranty

| | |
|----------|-----------|
| Warranty | 18 months |
|----------|-----------|

Digital Input Module (8-channel, 24 Vdc)

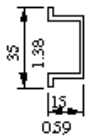
Dimensions



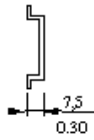
NOTE: * 8.5 mm (0.33 in) when the clamp is pulled out.

DIN Rail Mounting

AM1DE200
IEC/EN 60715



AM1DP200



AM1ED200



DZ5MB200

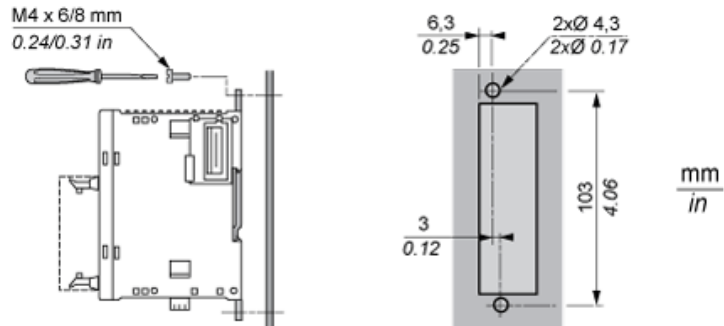


| Rail depth | Catalogue part number |
|-------------------|-----------------------|
| 15 mm (0.59 in.) | AM1DE200 |
| 7,5 mm (0.30 in.) | AM1DP200 |

NOTE: Do not use AM1ED200 and DZ5MB200

Module Mounting on a Panel Surface

Mounting Hole Layout



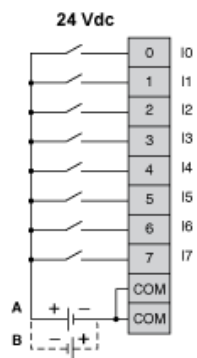
Wiring Requirements

Cable Types and Wire Sizes for Removable Screw Terminal Block

| | | | | | | | |
|----------------------------------|-----------------|------------|------------|------------|------------|-------------|-------------|
| <p>9 0.35 mm in.</p> | | | | | | | |
| | mm ² | 0,14...1,5 | 0,25...0,5 | 0,25...1,5 | 0,14...0,5 | 0,14...0,75 | 0,25...0,34 |
| AWG | 26...16 | 24...20 | 24...16 | 26...20 | 26...18 | 24...22 | 20 |

Digital Input Module (8-channel, 24 Vdc)

Wiring Diagram



- A Sink wiring (positive logic)
- B Source wiring (negative logic)

The COM terminals are connected together internally.

TM2DDI8DT is replaced by the following product range:



Modicon TM3

Expansion I/O modules for Modicon M221, M241, M251 and M262

Boost the performance of your controller with the Modicon TM3 I/O system specially designed for the Modicon M221, M241, M251 and M262 logic controllers!