



Commercial status

Discontinued on: 28 June 2019

To be end-of-service on: 30 June 2024

ⓘ Restricted Sales for Services

Main

Range of product	Modicon M238 logic controller
Product or component type	Analog output module
Analogue output number	2
Analogue output type	Voltage: +/- 10 V

Complementary

Range compatibility	Advantys OTB Twido
Analogue output resolution	11 bits + sign
LSB value	+/- 9.8 mV voltage
Load type	Resistive
Load impedance ohmic	<= 3000 Ohm voltage
Stabilisation time	2 ms
Conversion time	2 ms + 1 controller cycle time
Measurement error	+/- 0.5 % of full scale at 25 °C
Temperature coefficient	+/-0.01 %FS/°C
Repeat accuracy	+/-0.1 %FS
Non-linearity	+/- 0.2 %FS
Output ripple	<= 1 LSB
Total error	+/-1 %FS
Type of cable	Twisted shielded cable
Insulation between channel and internal logic	Photocoupler
Supply	External supply
[Us] rated supply voltage	24 V DC
Supply voltage limits	19.2...30 V

Disclaimer: This documentation is not intended as a substitute for and is not to be used for determining suitability or reliability of these products for specific user applications

Electrical connection	1 removable screw terminal block
Current consumption	60 mA at 5 V DC internal 60 mA at 24 V DC external
Net weight	0.085 kg

Environment

Dielectric strength	2500 V between the I/O and internal logic
Width	23.5 mm
Depth	70 mm
Height	90 mm

Packing Units

Unit Type of Package 1	PCE
Number of Units in Package 1	1
Package 1 Weight	145 g
Package 1 Height	7.5 cm
Package 1 width	10.5 cm
Package 1 Length	12.5 cm

Offer Sustainability

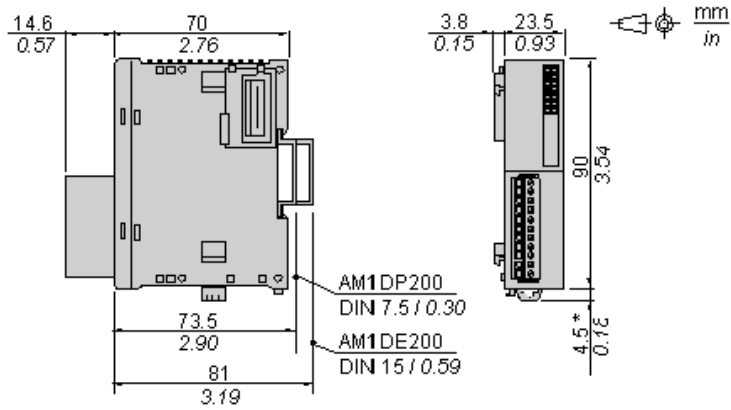
Sustainable offer status	Green Premium product
REACH Regulation	REACH Declaration
EU RoHS Directive	Pro-active compliance (Product out of EU RoHS legal scope) EU RoHS Declaration
Mercury free	Yes
RoHS exemption information	Yes
China RoHS Regulation	China RoHS declaration
Environmental Disclosure	Product Environmental Profile
Circularity Profile	End of Life Information
WEEE	The product must be disposed on European Union markets following specific waste collection and never end up in rubbish bins
PVC free	Yes
California proposition 65	WARNING: This product can expose you to chemicals including: Lead and lead compounds, which is known to the State of California to cause cancer and birth defects or other reproductive harm. For more information go to www.P65Warnings.ca.gov

Contractual warranty

Warranty	18 months
----------	-----------

Analog Output Module (2-channel, Voltage)

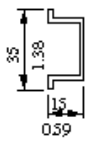
Dimensions



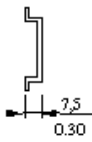
NOTE: * 8.5 mm (0.33 in) when the clip-on lock is pulled out.

DIN Rail Mounting

AM1DE200
IEC/EN 60715



AM1DP200



AM1ED200



DZ5MB200

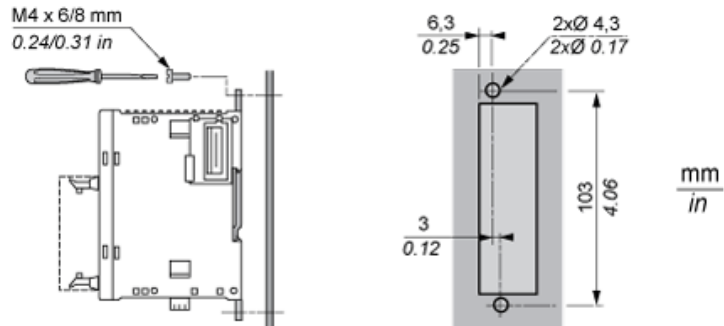


Rail depth	Catalogue part number
15 mm (0.59 in.)	AM1DE200
7,5 mm (0.30 in.)	AM1DP200

NOTE: Do not use AM1ED200 and DZ5MB200

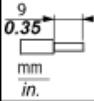

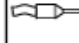
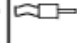



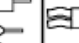
Module Mounting on a Panel Surface

Mounting Hole Layout



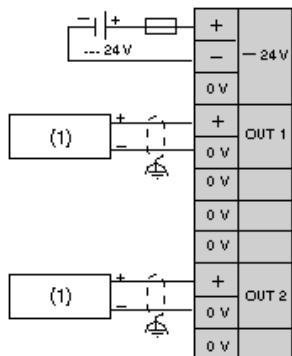
Wiring Requirements

Cable Types and Wire Sizes for Removable Screw Terminal Block

							
mm ²	0,14...1,5	0,25...0,5	0,25...1,5	0,14...0,5	0,14...0,75	0,25...0,34	0,5
AWG	26...16	24...20	24...16	26...20	26...18	24...22	20

Analog Output Module (2-channel, Voltage)

Wiring Diagram



(1) Voltage/current preactuator

TM2AVO2HT is replaced by the following product range:



Modicon TM3

Expansion I/O modules for Modicon M221, M241, M251 and M262

Boost the performance of your controller with the Modicon TM3 I/O system specially designed for the Modicon M221, M241, M251 and M262 logic controllers!