



Commercial status

Discontinued on: 31 December 2019

To be end-of-service on: 31 December 2027

TSXDSZ08R5 has not been replaced. Please contact your customer care center for more information.

ⓘ Restricted Sales for Services

Main

Range of product	Modicon TSX Micro automation platform
Product or component type	Relay discrete output module
Discrete output number	8 screw terminal block
Contacts type and composition	NO

Complementary

Output voltage limits	19...264 V AC 10...34 V DC
[Ith] conventional free air thermal current	3 A
Power consumption in VA	50 VA 24 V AC-12 resistive 110 VA 48 V AC-12 resistive 220 VA 110 V AC-12 resistive 220 VA 220 V AC-12 resistive 24 VA 24 V AC-15 inductive 24 VA 48 V AC-15 inductive 220 VA 220 V AC-15 inductive 110 VA 110 V AC-15 inductive
Power consumption in W	24 V DC-12 resistive 24 V DC-13 inductive
Response time	< 10 ms
Current consumption	85 mA
Power dissipation in W	1.5 W
Isolation voltage	1500 V for 1 s
Insulation resistance	>= 10 mOhm

Packing Units

Unit Type of Package 1	PCE
Number of Units in Package 1	1
Package 1 Weight	361 g
Package 1 Height	5.5 cm
Package 1 width	18 cm
Package 1 Length	26 cm

Disclaimer: This documentation is not intended as a substitute for and is not to be used for determining suitability or reliability of these products for specific user applications

Unit Type of Package 2	S03
Number of Units in Package 2	8
Package 2 Weight	2.888 kg
Package 2 Height	30 cm
Package 2 width	30 cm
Package 2 Length	40 cm

Offer Sustainability

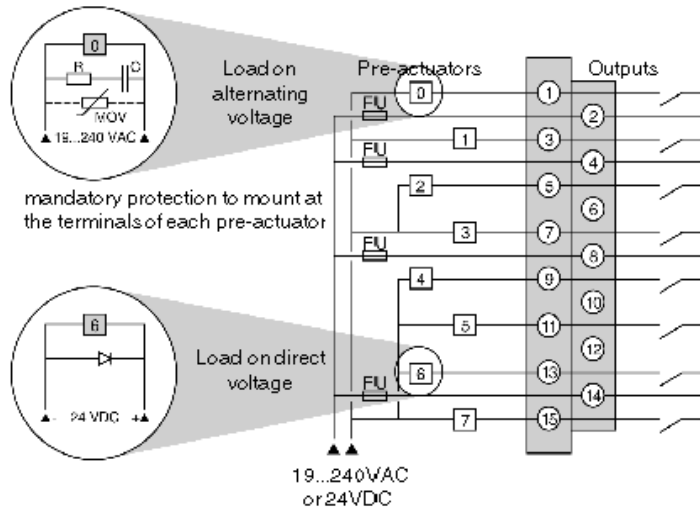
EU RoHS Directive	Not applicable, out of EU RoHS legal scope
China RoHS Regulation	China RoHS declaration
WEEE	The product must be disposed on European Union markets following specific waste collection and never end up in rubbish bins

Contractual warranty

Warranty	18 months
----------	-----------

Pre-Actuators/Outputs Connections

Wiring Diagram



FU = Fast blow fuses to be calibrated according to the load.