



Commercial status

Discontinued on: 31 December 2019

To be end-of-service on: 31 December 2027

TSXDMZ28DR has not been replaced. Please contact your customer care center for more information.

ⓘ Restricted Sales for Services

Main

Range of product	Modicon TSX Micro automation platform
Product or component type	Discrete relay I/O base
Discrete input number	16 screw terminal block
Discrete input voltage	24 V DC, discrete input logic: negative
Discrete input current	9 mA

Complementary

Input voltage limits	≤ 8 V at state 1
Current state 0 guaranteed	≤ 1.5 mA
Current state 1 guaranteed	≥ 2.5 mA
Input impedance	4 Ohm
Response time	0.1...7.5 ms input at state 0 to state 1 0.1...7.5 ms input at state 1 to state 0 < 10 ms output
Input compatibility	2-wire/3-wire proximity sensor
Load type	Resistive
Current consumption	160 mA positive 131 mA negative
Power dissipation in W	4.5 W
Output voltage limits	19...264 V AC 10...34 V DC
Contacts type and composition	NO
Power consumption in VA	50 VA 24 V AC-12 resistive 110 VA 48 V AC-12 resistive 220 VA 110 V AC-12 resistive 220 VA 220 V AC-12 resistive 24 VA 24 V AC-15 inductive 24 VA 48 V AC-15 inductive 220 VA 220 V AC-15 inductive 110 VA 110 V AC-15 inductive
Power consumption in W	40 W 24 V DC-12 resistive 24 W 24 V DC-13 inductive
Isolation voltage	1500 V for 1 s
Insulation resistance	≥ 10 mOhm

Disclaimer: This documentation is not intended as a substitute for and is not to be used for determining suitability or reliability of these products for specific user applications

Net weight	0.5 kg
------------	--------

Environment

Standards	IEC 1131-2 Type 1
[Ith] conventional free air thermal current	3 A

Packing Units

Unit Type of Package 1	PCE
Number of Units in Package 1	1
Package 1 Weight	582 g
Package 1 Height	5.5 cm
Package 1 width	18 cm
Package 1 Length	26 cm
Unit Type of Package 2	S03
Number of Units in Package 2	8
Package 2 Weight	5.066 kg
Package 2 Height	30 cm
Package 2 width	30 cm
Package 2 Length	40 cm

Offer Sustainability

EU RoHS Directive	Not applicable, out of EU RoHS legal scope
China RoHS Regulation	China RoHS declaration
WEEE	The product must be disposed on European Union markets following specific waste collection and never end up in rubbish bins

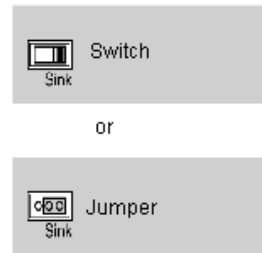
Contractual warranty

Warranty	18 months
----------	-----------

Sensors/Inputs and Actuators/Outputs Connections

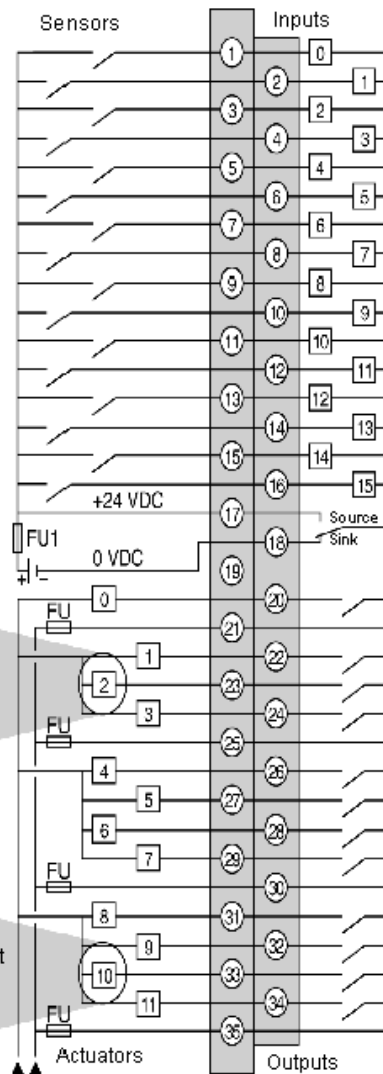
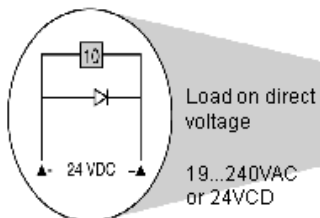
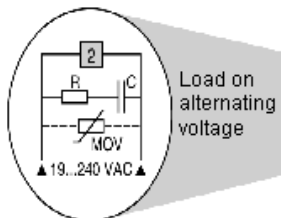
Wiring Diagrams

Positive logic input (Sink)



Inputs hardware configuration

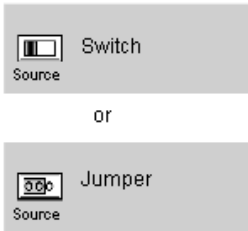
Mandatory protection to be fitted to the terminals of each actuator



FU1 = 0.5A fast-blow fuse.

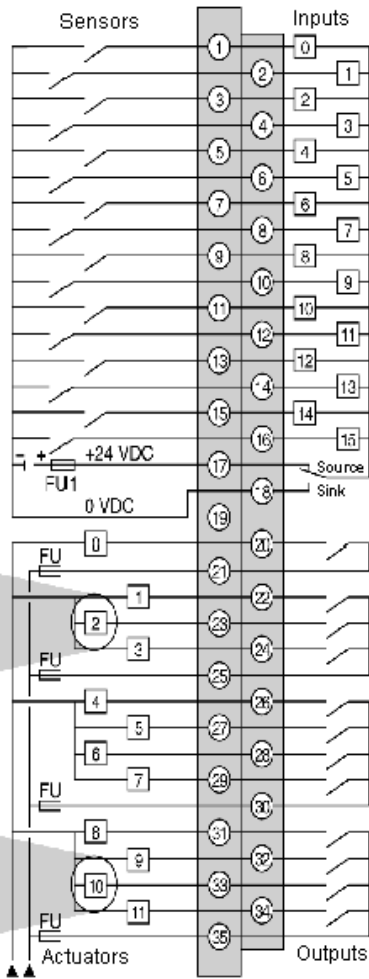
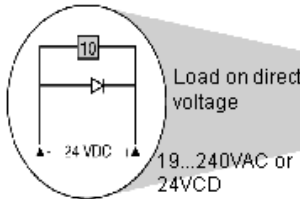
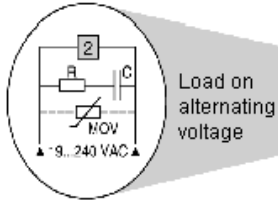
FU = Fast-blow fuses to be calibrated according to the load.

Negative logic input (Source)



Inputs hardware configuration

Mandatory protection to be fitted to the terminals of each actuator



FU1 = 0.5A fast-blow fuse.

FU = Fast-blow fuses to be calibrated according to the load