

### Commercial status

Discontinued on: 31 December 2019

To be end-of-service on: 31 December 2027

TSXDEZ08A5 has not been replaced. Please contact your customer care center for more information.

 Restricted Sales for Services

### Main

Range of product	Modicon TSX Micro automation platform
Product or component type	Discrete input module
Discrete input number	8 screw terminal block
Discrete input voltage	200...240 V AC 170...264 V
Discrete input frequency	47...63 Hz
Discrete input current	10 mA at 50 Hz 12 mA at 60 Hz
Input voltage limits	$\geq 120$ V at state 1 $< 40$ V at state 0
Current state 0 guaranteed	$\leq 5$ mA
Current state 1 guaranteed	$\geq 6$ mA
Response time	11...18 ms at state 0 to state 1 at 50 Hz 9...16 ms at state 0 to state 1 at 60 Hz 11...24 ms at state 1 to state 0 at 50 Hz 10...22 ms at state 1 to state 0 at 60 Hz

### Complementary

Standards	IEC 1131-2 Type 1
Input compatibility	2-wire proximity sensor
Discrete input type	Capacitive
Current consumption	20 mA
Power dissipation in W	1.4 W
Isolation voltage	1500 V AC 1 s

### Environment

Net weight	0.23 kg
------------	---------

### Packing Units

Unit Type of Package 1	PCE
Number of Units in Package 1	1
Package 1 Weight	374 g

Package 1 Height	5.5 cm
Package 1 width	18 cm
Package 1 Length	26 cm

### Offer Sustainability

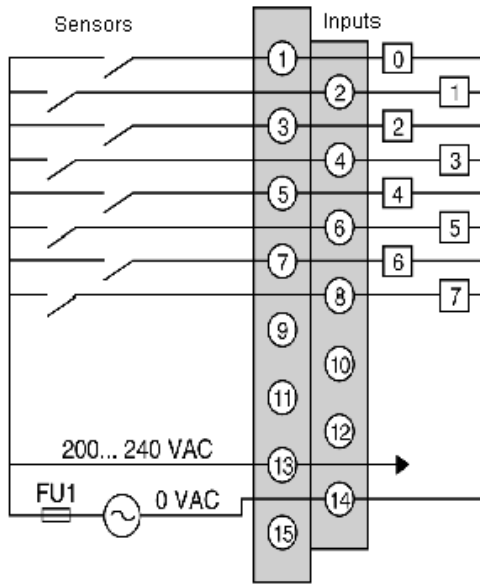
EU RoHS Directive	Not applicable, out of EU RoHS legal scope
China RoHS Regulation	<a href="#">China RoHS declaration</a>
WEEE	The product must be disposed on European Union markets following specific waste collection and never end up in rubbish bins

### Contractual warranty

Warranty	18 months
----------	-----------

Sensors/Inputs Connections

Wiring Diagram



FU1 = 0.5A fuse with rapid fusion.