



Main

Range of product	Modicon STB distributed I/O solution
Product or component type	Standard digital output kit
Kit composition	STBXTS1100, 6-terminal screw type connector STBXTS2100, 6-terminal spring clamp connector STBXBA1000 base STBDDO3410 module
Discrete output number	4
Discrete output type	Solid state
Discrete output voltage	24 V
Discrete output voltage type	DC

Complementary

Discrete output current	500 mA
Discrete output logic	Positive or negative
Output voltage	19.2...30 V DC
Absolute maximum voltage	56 V 1.3 ms
Response time	560 μ s off-to-on 870 μ s on-to-off
Cold swapping	Yes
Hot swapping	Yes for standard NIMs
Fallback	State 0 basic NIMs User configurable standard NIMs
Protection type	Power protection integrated fuse on PDM time lag 10 A Reverse polarity protection Short-circuit protection Thermal overload protection
Insulation between channels and logic bus	1500 V for 1 minute
Maximum leakage current	0.4 mA at state 0 30 V

Disclaimer: This documentation is not intended as a substitute for and is not to be used for determining suitability or reliability of these products for specific user applications

Surge current	5 A 0.5 ms
Maximum load capacitance	50 µF
Maximum load inductance	500 mH at 4 Hz
Minimum load	0.5 mA
Reset	Manual reset COM fault
Product compatibility	Power distribution module STBPDT3100/3105 I/O base STBXBA1000
[Us] rated supply voltage	24 V DC
Supply	Power distribution module
Current consumption	70 mA at 5 V DC for logic bus
Marking	CE
Overvoltage category	II
Status LED	1 LED (green)module status (RDY) 1 LED per channel (green)channel status (OUT1 to OUT4) 1 LED (red)module error (ERR)
Height	13.9 mm
Depth	70 mm
Width	128.3 mm
Net weight	0.11 kg

Environment

Standards	EN/IEC 61131-2
Product certifications	FM Class 1 Division 2 CSA UL
Pollution degree	2 conforming to IEC 60664-1
Operating altitude	<= 2000 m
IP degree of protection	IP20 conforming to EN 61131-2 class 1
Ambient air temperature for operation	0...60 °C (without derating)
Ambient air temperature for operation	32...140 °F without derating
Ambient air temperature for storage	-40...85 °C without derating
Ambient air temperature for storage	-40...185 °F without derating
Relative humidity	95 % at 60 °C without condensation
Vibration resistance	3 gn at 58...150 Hz on 35 x 7.5 mm symmetrical DIN rail 5 gn at 58...150 Hz on 35 x 15 mm symmetrical DIN rail +/-0.35 mm at 10...58 Hz
Shock resistance	30 gn for 11 ms conforming to IEC 88 reference 2-27

Packing Units

Package 1 Weight	0.133 kg
Package 1 Height	27.000 mm
Package 1 width	80.000 mm
Package 1 Length	130.000 mm

Offer Sustainability

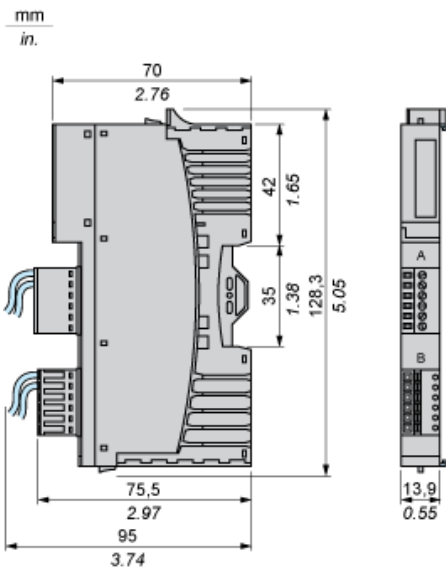
Sustainable offer status	Green Premium product
REACH Regulation	REACH Declaration
EU RoHS Directive	Pro-active compliance (Product out of EU RoHS legal scope) EU RoHS Declaration
Mercury free	Yes
RoHS exemption information	Yes
China RoHS Regulation	China RoHS declaration
Environmental Disclosure	Product Environmental Profile
Circularity Profile	End of Life Information

WEEE	The product must be disposed on European Union markets following specific waste collection and never end up in rubbish bins
------	---

Contractual warranty

Warranty	18 months
----------	-----------

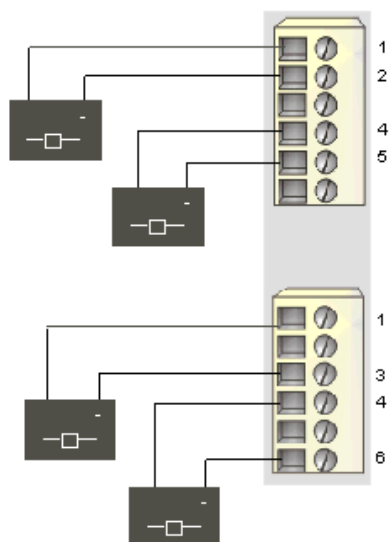
Dimensions



Wiring Diagram

Example

4 two-wire actuators



Pin	Top Connector	Bottom Connector
1	output to actuator 1	output to actuator 3
2	field power return	field power return
3	field power return	field power return
4	output to actuator 2	output to actuator 4
5	field power return	field power return
6	field power return	field power return