



### Main

Range of product	Modicon STB distributed I/O solution
Product or component type	Standard analog input kit
Kit composition	STBAVI0300 module STBXTS1100, 6-terminal screw type connector STBXTS2100, 6-terminal spring clamp connector STBXBA1000 base
Analogue input type	Voltage +/- 10 V Voltage +/- 5 V Voltage 0...10 V Voltage 0...5 V Voltage 1...5 V
Analogue input number	4
Analogue input resolution	15 bits + sign
Type of filter	Single low pass input filter 25 Hz

### Complementary

Absolute maximum input	50 V DC
Cold swapping	Yes
Hot swapping fallback	Yes for standard NIMs
Fallback status	State 0 basic NIMs User configurable standard NIMs
Data format	EN 61131-2 IEC 61131-2
Integral linearity	+/- 0.2 %FS
Differential linearity	Monotonic
Input impedance	400 kOhm
Maximum supply current for sensors	100 mA per input channels
Maximum source impedance	1 kOhm
Absolute accuracy error	+/- 0.75 % of full scale 25 °C

Disclaimer: This documentation is not intended as a substitute for and is not to be used for determining suitability or reliability of these products for specific user applications

Temperature drift	+/-0.01 %/°C
Insulation between channels and logic bus	1500 V for 1 minute
Insulation between channels and sensor bus	30 V
Addressing requirement	2 input words
Product compatibility	Mounting base STBXBA1000 Power distribution module STBPDT3100/3105
[Us] rated supply voltage	24 V DC
Supply	Power distribution module
Current consumption	90 mA at 5 V DC for logic bus
Marking	CE
Overvoltage category	II
Status LED	1 LED (green)module status (RDY) 1 LED (red)module error (ERR)

## Environment

Product certifications	FM Class 1 Division 2 UL CSA ATEX Cat 3G C-Tick
Pollution degree	2 conforming to IEC 60664-1
Operating altitude	<= 2000 m
IP degree of protection	IP20 conforming to EN 61131-2 class 1
Ambient air temperature for operation	-25...70 °C
Ambient air temperature for operation	- 13...158 °F without derating
Ambient air temperature for storage	-40...85 °C without derating
Ambient air temperature for storage	-40...185 °F without derating
Relative humidity	95 % at 60 °C without condensation
Vibration resistance	+/-0.35 mm at 10...58 Hz 3 gn at 58...150 Hz on 35 x 7.5 mm symmetrical DIN rail 5 gn at 58...150 Hz on 35 x 15 mm symmetrical DIN rail
Shock resistance	30 gn for 11 ms conforming to IEC 88 reference 2-27

## Packing Units

Package 1 Weight	0.149 kg
Package 1 Height	30.000 mm
Package 1 width	80.000 mm
Package 1 Length	130.000 mm

## Offer Sustainability

Sustainable offer status	Green Premium product
REACH Regulation	<a href="#">REACH Declaration</a>
EU RoHS Directive	Pro-active compliance (Product out of EU RoHS legal scope) <a href="#">EU RoHS Declaration</a>
Mercury free	Yes
RoHS exemption information	<a href="#">Yes</a>
China RoHS Regulation	<a href="#">China RoHS declaration</a>
Environmental Disclosure	<a href="#">Product Environmental Profile</a>
Circularity Profile	<a href="#">End of Life Information</a>
WEEE	The product must be disposed on European Union markets following specific waste collection and never end up in rubbish bins

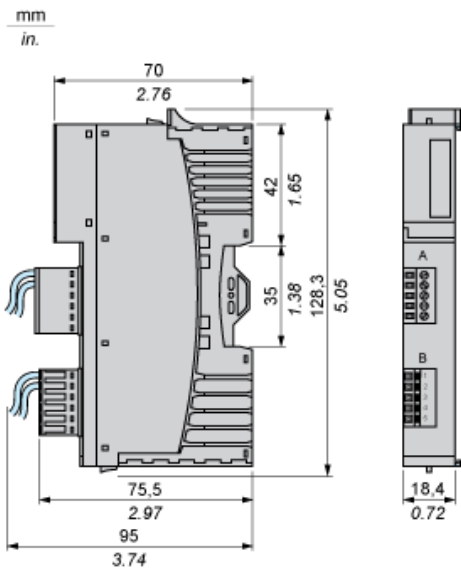
## Contractual warranty

---

Warranty	18 months
----------	-----------

---

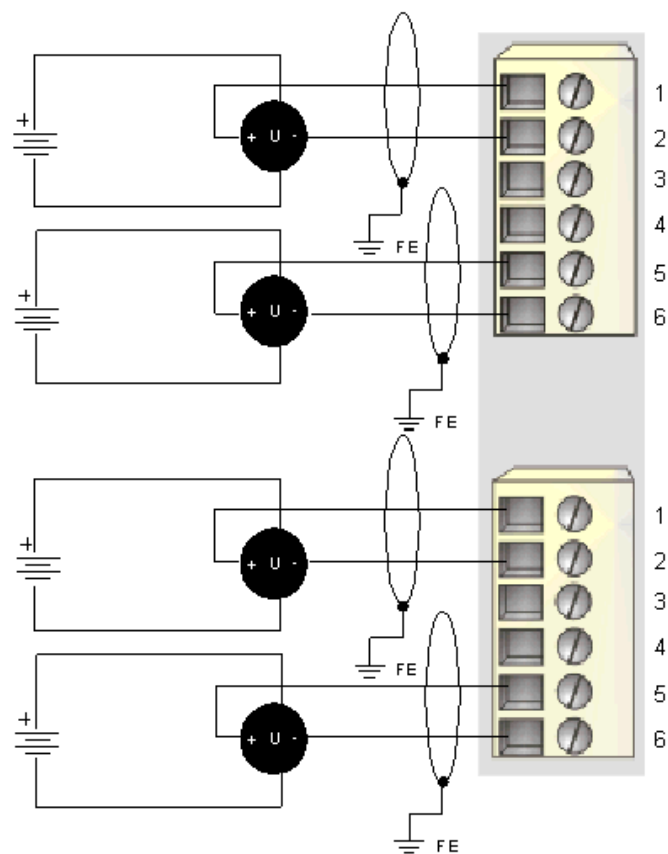
Dimensions



## Wiring Diagram

### Example

4 isolated analog sensors, external 24 VDC power supplies



Pin	Top Connections	Bottom Connections
1	voltage in 1+	voltage in 3+
2	voltage in 1 -	voltage in 3-
3	no connection	no connection
4	no connection	no connection
5	voltage in 2+	voltage in 4+
6	voltage in 2-	voltage in 4-