



Main

Range of product	Modicon STB distributed I/O solution
Product or component type	Standard analog output kit
Kit composition	STBXTS2100, 6-terminal spring clamp connector STBXTS1100, 6-terminal screw type connector STBXBA2000 base STBACO0220 module
Analogue output type	Current: 4..20 mA
Analogue output number	2
Analogue output resolution	15 bits + sign

Complementary

Analogue output current	0.02 A
Response time	4 ms
Cold swapping	Yes
Hot swapping	Yes for standard NIMs
Fallback	State 0 basic NIMs User configurable standard NIMs
Data format	EN 61131-2 IEC 61131-2
Update time	8 ms
Conversion time	4 ms for both channels
Integral linearity	+/- 0.5 %FS
Differential linearity	Monotonic
Absolute accuracy error	+/- 0.3 % of full scale at 25 °C
Temperature drift	+/-0.005 %/°C
Insulation between channels and logic bus	1500 V for 1 minute

Disclaimer: This documentation is not intended as a substitute for and is not to be used for determining suitability or reliability of these products for specific user applications

Insulation between channels and actuator bus	200 V
Product compatibility	Power distribution module STBPDT3100/3105 Mounting base STBXBA1000
[Us] rated supply voltage	24 V DC
Supply	Power distribution module
Current consumption	210 mA at 5 V DC for logic bus
Marking	CE
Overvoltage category	II
Status LED	1 LED (green)module status (RDY) 1 LED (red)module error (ERR)
Depth	70 mm
Height	18.4 mm
Width	128.3 mm

Environment

Product certifications	CSA UL FM Class 1 Division 2
Pollution degree	2 conforming to IEC 60664-1
Operating altitude	<= 2000 m
IP degree of protection	IP20 conforming to EN 61131-2 class 1
Ambient air temperature for operation	0...60 °C (without)
Ambient air temperature for operation	32...140 °F without
Ambient air temperature for storage	-40...85 °C without
Ambient air temperature for storage	-40...185 °F without
Relative humidity	95 % at 60 °C without condensation
Vibration resistance	3 gn at 58...150 Hz on 35 x 7.5 mm symmetrical DIN rail 5 gn at 58...150 Hz on 35 x 15 mm symmetrical DIN rail +/-0.35 mm at 10...58 Hz
Shock resistance	30 gn for 11 ms conforming to IEC 88 reference 2-27

Packing Units

Package 1 Weight	0.141 kg
Package 1 Height	27.000 mm
Package 1 width	80.000 mm
Package 1 Length	130.000 mm

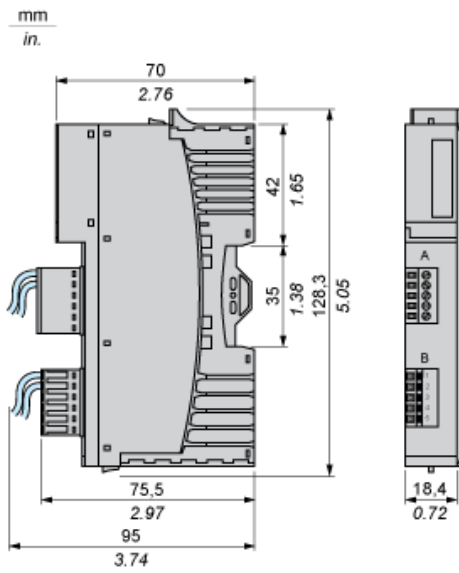
Offer Sustainability

Sustainable offer status	Green Premium product
RECh Regulation	RECh Declaration
EU RoHS Directive	Pro-active compliance (Product out of EU RoHS legal scope) EU RoHS Declaration
Mercury free	Yes
RoHS exemption information	Yes
China RoHS Regulation	China RoHS declaration
Environmental Disclosure	Product Environmental Profile
Circularity Profile	End of Life Information
WEEE	The product must be disposed on European Union markets following specific waste collection and never end up in rubbish bins

Contractual warranty

Warranty	18 months
----------	-----------

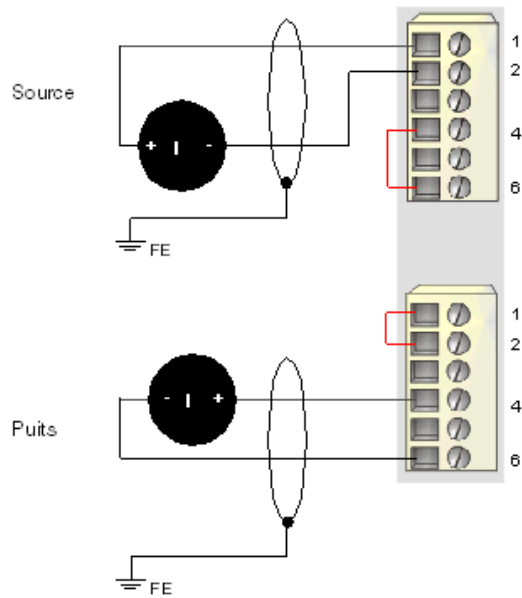
Dimensions



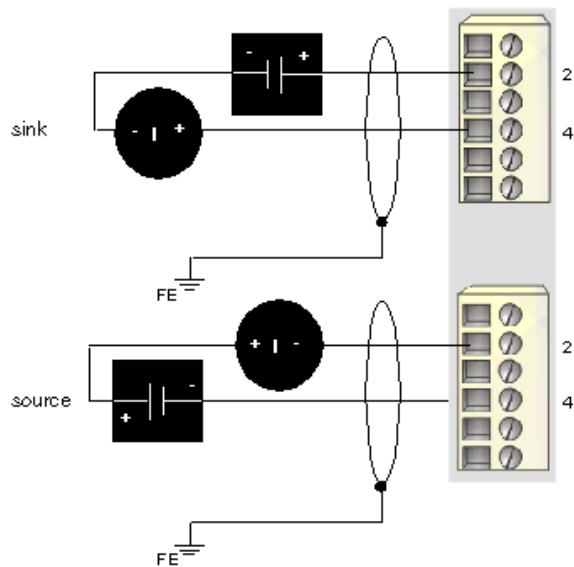
Wiring Diagrams

Examples

2 non-isolated analog actuators, 24 VDC supplied by the PDM



2 isolated analog actuators, external 24 VDC power supply



Pin	Top Connections	Bottom Connections
1	+24 VDC loop supply	+24 VDC loop supply
2	output to actuator 1	output to actuator 2
3	no connection	no connection
4	output channel return	output channel return

Pin	Top Connections	Bottom Connections
5	no connection	no connection
6	loop power return (to the module)	loop power return (to the module)