

Product description	Snap-In IP67 female cable connector, Contacts: 8, 4.0 - 6.0 mm, unshielded, solder, IP67, VDE
Area	Snap-In IP67 series 720
Order number	99 9126 00 08

Illustration	Scale drawing	Contact arrangement (Plug-in side)

You can find the component part drawing and assembly instructions on the next page.

Technical data

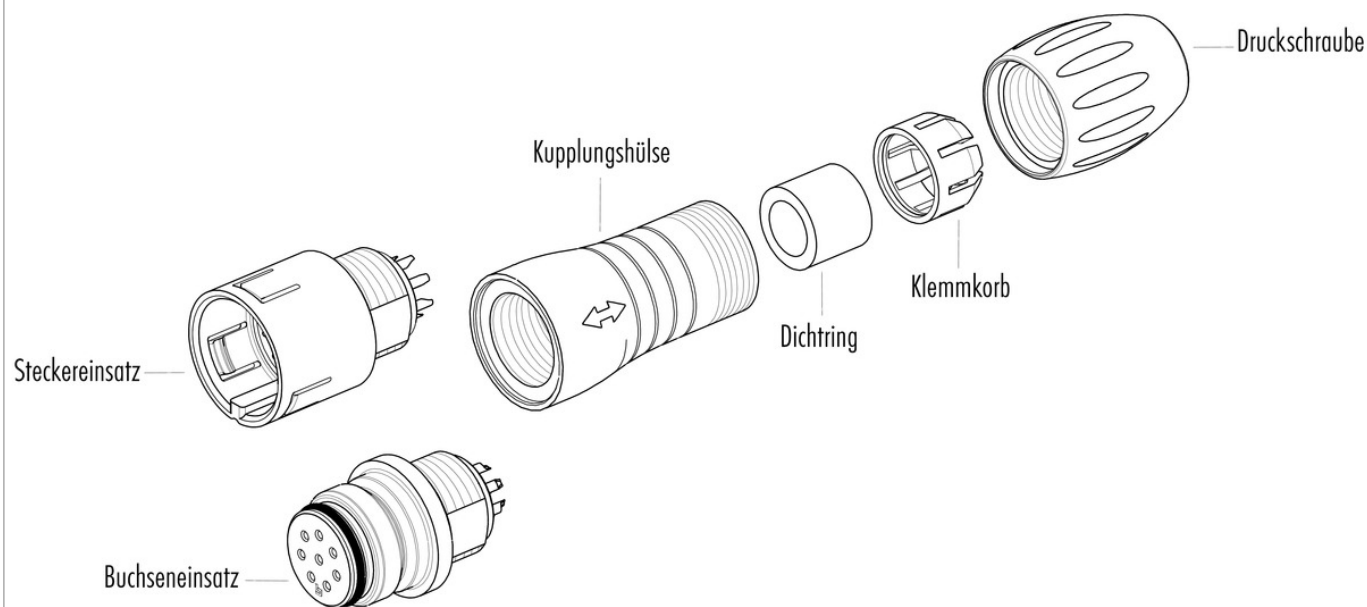
<h3 style="color: #e91e63; margin-top: 0;">General features</h3> <p>Order number Connector design Version</p> <p>Connector locking system Termination Degree of protection Cross-sectional area</p> <p>Cable outlet Temperature range from/to Mechanical operation Weight (g) Customs tariff number</p>	<p>99 9126 00 08 female cable connector connector female straight snap solder IP67 max. 0.25 mm² / max. AWG 24 4.0 - 6.0 mm -25 °C / 85 °C > 500 Mating cycles 9.753 85369010</p>	<h3 style="color: #e91e63; margin-top: 0;">Material</h3> <p>Housing material Contact body material Contact material Contact plating REACH SVHC</p> <p>PA PA (UL94 V-0) black CuSn (bronze) Au (gold) CAS 96-45-7 (Imidazolidine-2-thione) CAS 7439-92-1 (Lead)</p>
<h3 style="color: #e91e63; margin-top: 0;">Electrical parameters</h3> <p>Rated voltage Rated impulse voltage Rated current (40 °C) Insulation resistance Pollution degree Overvoltage category Insulating material group EMC compliance</p>	<p>125 V 1500 V 2 A ≥ 10¹⁰ Ω 2 II II unshielded</p>	<h3 style="color: #e91e63; margin-top: 0;">Authorization/approvals</h3> <p>Approval 1</p> <h3 style="color: #e91e63; margin-top: 0;">Classifications</h3> <p>eCl@ss 11.1 ETIM 7.0</p> <h3 style="color: #e91e63; margin-top: 0;">Declarations of conformity</h3> <p>Low Voltage Directive</p>
		<p>VDE</p> <p>27-44-01-02 EC002635</p> <p>2014/35/EU (EN 60204-1:2018;EN 60529:1991)</p>



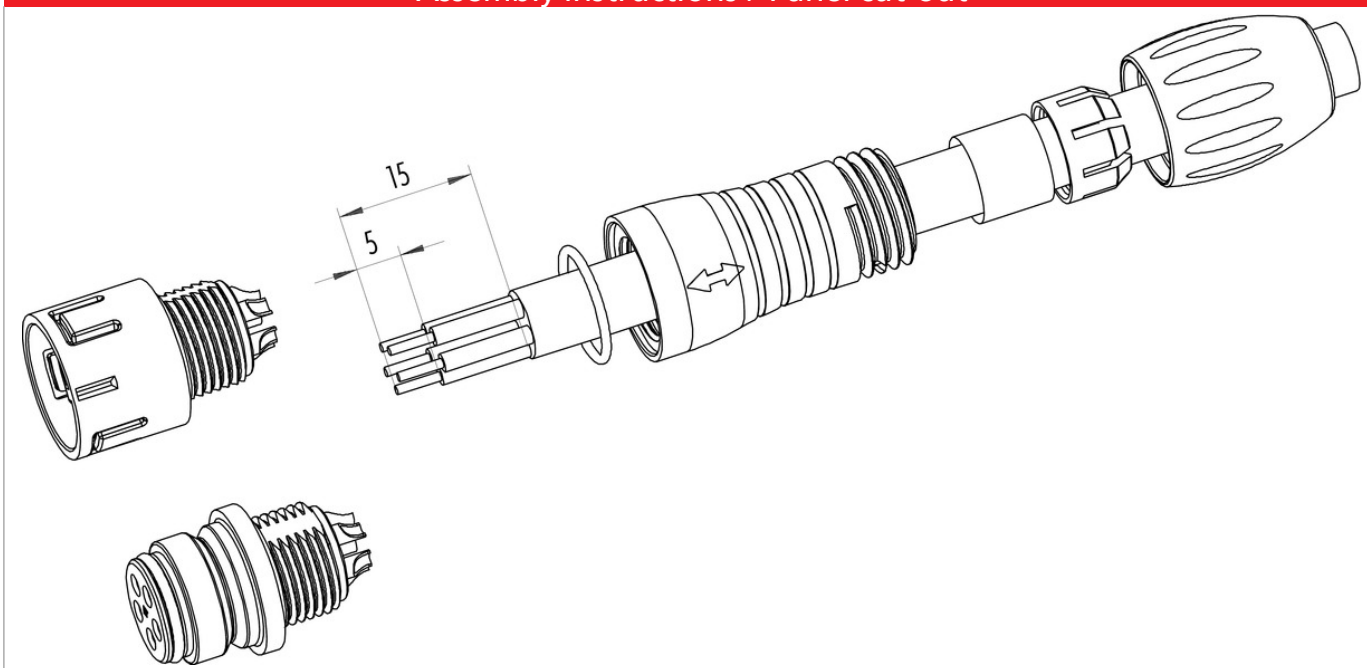
Product description Snap-In IP67 female cable connector, Contacts: 8, 4.0 - 6.0 mm, unshielded, solder, IP67, VDE

Area Snap-In IP67 series 720
Order number 99 9126 00 08

Component part drawing



Assembly instructions / Panel cut-out



Product description	Snap-In IP67 female cable connector, Contacts: 8, 4.0 - 6.0 mm, unshielded, solder, IP67, VDE
Area	Snap-In IP67 series 720
Order number	99 9126 00 08

Security notices

The connector must not be plugged or unplugged under load. Non-observance and improper use can result in personal injury.

The connectors have been developed for applications in plant engineering, control and electrical equipment construction. The user is responsible for checking whether the connectors can also be used in other areas of application.

To protect against unintentional opening of the connector, the thread between the housing and the connector head must be secured with a suitable cyanoacrylate adhesive when used in circuits with voltages dangerous to the touch. This does not apply to connectors used in SELV and PELV circuits according to IEC 61140 (EN 61140, VDE 0140-1).

Connectors which are used in circuits with voltages dangerous to the touch may only be installed and used by, or under the supervision of, persons with electrical engineering training, taking into account the applicable regulations and standards.

Plug connectors with enclosure protection IP 67 and IP 68 are not suitable for use under water. When used outdoors, the plug connectors must be protected separately against corrosion. For further information on the IP protection classes, please refer to the "Technical Information" download centre.