

Product description	Bajonett HEC female cable connector, Contacts: 12, 7.0 - 13.0 mm, unshielded, crimp (Crimp contacts must be ordered separately), IP68/IP69K, UL, VDE
Area	Bajonett HEC series 696
Order number	99 6518 000 12

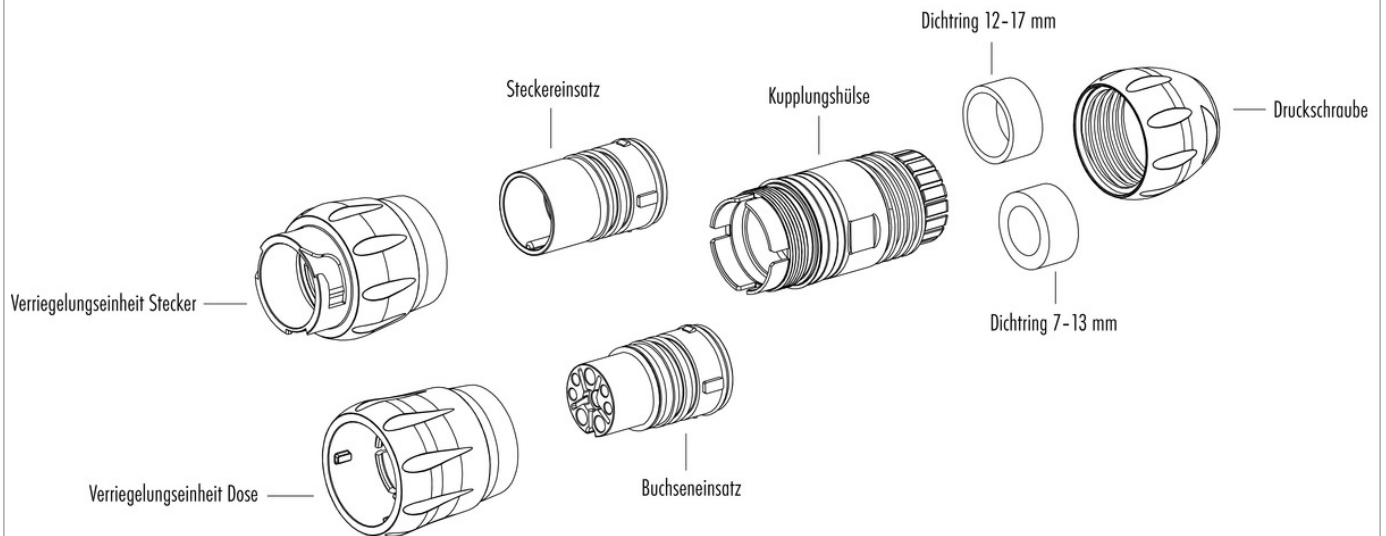
Illustration	Scale drawing	Contact arrangement (Plug-in side)

You can find the component part drawing and assembly instructions on the next page.

Technical data	
General features	
Order number	99 6518 000 12
Connector design	female cable connector
Version	connector female straight
Connector locking system	Bayonet
Termination	crimp (Crimp contacts must be ordered separately)
Degree of protection	IP68/IP69K
Cross-sectional area	see crimp contacts under accessories
Cable outlet	7.0 - 13.0 mm
Temperature range from/to Mechanical operation	-40 °C / 100 °C
Weight (g)	> 500 Mating cycles
Customs tariff number	60.095
	85369010
Electrical parameters	
Rated voltage	250 V
Rated impulse voltage	4000 V
Rated current (40 °C)	5 A
Insulation resistance	> 10 ⁸ Ω
Pollution degree	3
Overvoltage category	III
Insulating material group	I
EMC compliance	unshielded
Material	
Housing material	PA
Contact body material	PA
Contact material	depending on crimp contact (accessory)
REACH SVHC	Keine (No pollutants)
Authorization/approvals	
Approval 1	UL
Approval 2	VDE
Classifications	
eCl@ss 11.1	27-44-01-02
ETIM 7.0	EC002635
Declarations of conformity	
Low Voltage Directive	2014/35/EU (EN 60204-1:2018; EN 60529:1991)

Product description	Bajonett HEC female cable connector, Contacts: 12, 7.0 - 13.0 mm, unshielded, crimp (Crimp contacts must be ordered separately), IP68/IP69K, UL, VDE
Area	Bajonett HEC series 696
Order number	99 6518 000 12

Component part drawing



Assembly instructions / Panel cut-out

- Strip to 50 mm length and take off cable jacket.
- Boil pressing screw, pinch ring, seal and distance sleeve to cable.
- Strip insulation of the single wires (length 3.5 mm).
- Crimp contacts to single wires.*
- Press crimped contacts into contact carrier until they snap into place. Then push the carrier into the connector sleeve to block.

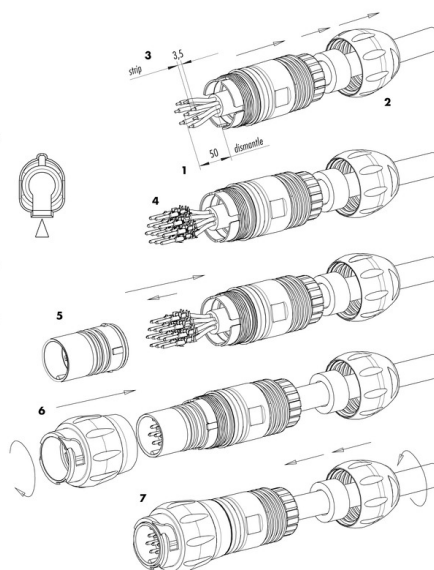
Attention! Bear in mind the positioning of the contacts in relation to the housing. The mark points to the stop.

- Put locking unit to the thread of the connector sleeve and screw it with slight pressure towards the direction marked with an arrow until it is tight. (recommended torque 80 Nm)
- Push sealing ring into the pinch ring to block and fix both by screwing the pressing screw towards the connector sleeve. (recommended torque 250 Nm)

Extracting the contacts:
As the contacts are full floating the extraction tool can be inserted with slight pendular movements to block. Afterwards press the extraction button.

* Crimping tool for single contacts Ordering-No. 66 0001 014 100
Crimping tool for strip contacts Ordering-No. 67 0001 014 100

Extraction tool for contacts Ordering-No. 07 0088 000



Product description	Bajonett HEC female cable connector, Contacts: 12, 7.0 - 13.0 mm, unshielded, crimp (Crimp contacts must be ordered separately), IP68/IP69K, UL, VDE
Area	Bajonett HEC series 696
Order number	99 6518 000 12

Security notices

The connector must not be plugged or unplugged under load. Non-observance and improper use can result in personal injury.

The connectors have been developed for applications in plant engineering, control and electrical equipment construction. The user is responsible for checking whether the connectors can also be used in other areas of application.

Connectors which are used in circuits with voltages dangerous to the touch may only be installed and used by, or under the supervision of, persons with electrical engineering training, taking into account the applicable regulations and standards.