

Product description	Bajonett HEC male cable connector, Contacts: 4+3+PE, 7.0 - 17.0 mm, unshielded, crimp (Crimp contacts must be ordered separately), IP68/IP69K, UL, VDE
Area	Bajonett HEC series 696
Order number	99 6501 000 08

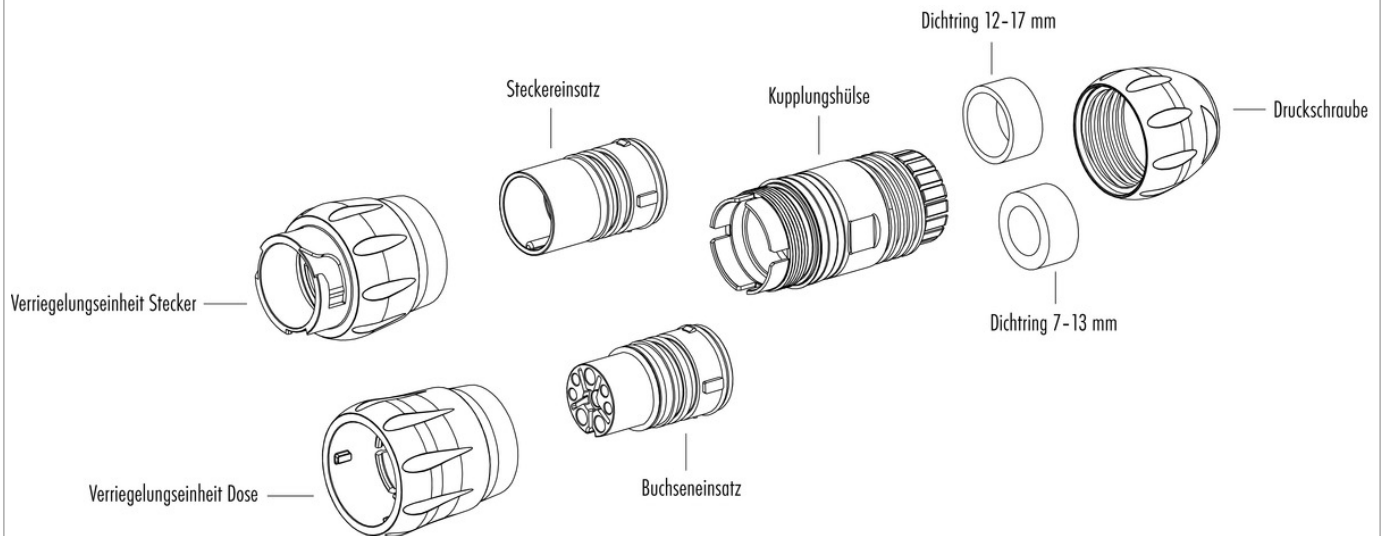
Illustration	Scale drawing	Contact arrangement (Plug-in side)

You can find the component part drawing and assembly instructions on the next page.

Technical data	
<b>General features</b>	
Order number	99 6501 000 08
Connector design	male cable connector
Version	connector male straight
Connector locking system	Bayonet
Termination	crimp (Crimp contacts must be ordered separately)
Degree of protection	IP68/IP69K
Cross-sectional area	see crimp contacts under accessories
Cable outlet	7.0 - 17.0 mm
Temperature range from/to	-40 °C / 100 °C
Mechanical operation	> 1000 Mating cycles
Weight (g)	53.5
Customs tariff number	85369010
<b>Electrical parameters</b>	
Rated voltage	60 V Signal / 400 V Power V
Rated impulse voltage	1000 V
Rated current (40 °C)	3 A signal / 25 A Power (20 A UL)
Insulation resistance	> 10 <sup>8</sup> Ω
Pollution degree	3
Overvoltage category	III
Insulating material group	I
EMC compliance	unshielded
<b>Material</b>	
Housing material	PA
Contact body material	PA
Contact material	depending on crimp contact (accessory)
REACH SVHC	Keine (No pollutants)
<b>Authorization/approvals</b>	
Approval 1	UL
Approval 2	VDE
<b>Classifications</b>	
eCl@ss 11.1	27-44-01-02
ETIM 7.0	EC002635
<b>Declarations of conformity</b>	
Low Voltage Directive	2014/35/EU (EN 60204-1:2018; EN 60529:1991)

Product description	Bajonett HEC male cable connector, Contacts: 4+3+PE, 7.0 - 17.0 mm, unshielded, crimp (Crimp contacts must be ordered separately), IP68/IP69K, UL, VDE
Area	Bajonett HEC series 696
Order number	99 6501 000 08

### Component part drawing



### Assembly instructions / Panel cut-out

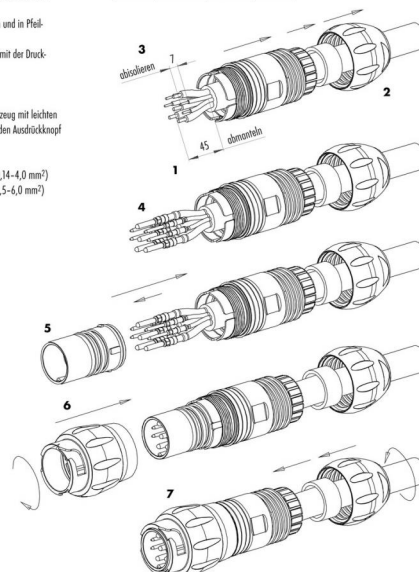
1. Abmonteln auf Länge l = Xmm. Ummantelung abstreifen.
2. Druckschraube, Dichtring und Kupplungshülse auf Kabel aufstecken.
3. Litzen abisolieren l = Ymm.
4. Kontakte ancrimpen.\*
5. Angecrimte Kontakte in den Kontaktkörper bis zum Einrasten eindrücken und diesen in die Kupplungshülse bis auf Anschlag schieben.
6. Verriegelungseinheit am Gewinde der Kupplungshülse aufsetzen und in Pfeilrichtung bis auf Anschlag festschrauben.
7. Den Dichtring in den Klemmkorb bis auf Anschlag schieben und mit der Druckschraube festschrauben. (empfohlenes Drehmoment 4000Nm)

Lösen der Kontakte:  
Da die Kontakte schwimmend gelagert sind, lässt sich das Lösewerkzeug mit leichten Pendelbewegungen bis auf Anschlag einführen. Danach zum Lösen den Ausdrückknopf betätigen.

\* Crimpzange Bestell-Nr. 66 0003 001 (für 0,14-4,0 mm<sup>2</sup>)  
66 0005 000 (für 1,5-6,0 mm<sup>2</sup>)

Lösewerkzeug Kontakt Ø 1,6 mm 66 0004 001  
Ø 2,5 mm 66 0011 001  
Ø 3,6 mm 66 0012 001

Polzahl	Kontakt-Ø	Länge X	Länge Y
8	Ø 1,6 mm	45 mm	8 mm
8	Ø 2,5 mm	45 mm	8 mm
5	Ø 3,6 mm	50 mm	12 mm



Product description	<b>Bajonett HEC male cable connector, Contacts: 4+3+PE, 7.0 - 17.0 mm, unshielded, crimp (Crimp contacts must be ordered separately), IP68/IP69K, UL, VDE</b>
Area	<b>Bajonett HEC series 696</b>
Order number	<b>99 6501 000 08</b>

## Security notices

The connector must not be plugged or unplugged under load. Non-observance and improper use can result in personal injury.

The connectors have been developed for applications in plant engineering, control and electrical equipment construction. The user is responsible for checking whether the connectors can also be used in other areas of application.

Connectors which are used in circuits with voltages dangerous to the touch may only be installed and used by, or under the supervision of, persons with electrical engineering training, taking into account the applicable regulations and standards.

## DECLARATION FROM THE MANUFACTURER

For part no.: 99 6501 000 08

09/12/2020

With regard to the

**Regulation (EC) No 1907/2006 of the European Parliament and of the Council of 18 December 2006 concerning the Registration, Evaluation, Authorisation and Restriction of Chemicals (REACH), establishing a European Chemicals Agency, amending Directive 1999/45/EC and repealing Council Regulation (EEC) No 793/93 and Commission Regulation (EC) No 1488/94 as well as Council Directive 76/769/EEC and Commission Directives 91/155/EEC, 93/67/EEC, 93/105/EC and 2000/21/EC.**

With the REACH regulation, the EU has created a uniform system for the Registration, Evaluation, Authorisation and restriction of CHemicals – or REACH. The purpose of this regulation is to ensure a high level of protection of human health and the environment.

Franz Binder GmbH & Co. Elektrische Bauelemente KG hereby confirms that it acts as a downstream user (producer of products) according to the aforementioned regulation.

We obtain all raw materials and/or preparations, from which the connectors are made, from suppliers who have already registered or pre-registered all substances, including those present in the preparations. The products supplied by the company are not subject to registration.

With regard to Article 33(1) of the REACH regulation, Franz Binder GmbH & Co. Elektrische Bauelemente KG complies with its information obligations:

An up-to-date candidate list (candidate list of substances of very high concern for authorisation, as of 25/06/2020 see: <https://echa.europa.eu/de/candidate-list-table>) in accordance with Article 59 (1, 10) of the regulation (EC) No 1907/2006 (REACH) has been published.

The aforementioned article includes the following substances from the up-to-date candidate list in concentrations of more than 0,1 percent by mass:

- Keine (No pollutants)

Please refer any questions to our Product Compliance Team:

Product-Compliance@binder-connector.de

## DECLARATION FROM THE MANUFACTURER

For part no.: 99 6501 000 08

09/12/2020

With regard to the

**COMMISSION DELEGATED DIRECTIVE (EU) 2015/863  
of 31 March 2015**

**amending Annex II to Directive 2011/65/EU of the European Parliament and of the Council as regards the  
list of restricted substances**

Directive 2011/65/EU stipulates provisions on the restriction of the use of hazardous substances in electrical and electronic equipment (EEE) with a view to contributing to the protection of human health and the environment, including the environmentally sound recovery and disposal of EEE waste.

#### ANNEX II

Restricted substances referred to in Article 4(1) and maximum concentration values tolerated by weight in homogeneous materials

Lead (0,1%) mercury (0,1%) cadmium (0,01%) hexavalent chromium (0,1%) polybrominated biphenyls (PBB) (0,1%) polybrominated diphenyl ethers (PBDE) (0,1%) bis(2-ethylhexyl) phthalate (DEHP) (0,1%) butyl benzyl phthalate (BBP) (0,1%) dibutyl phthalate (DBP) (0,1%) diisobutyl phthalate (DIBP) (0,1%)

Franz Binder GmbH & Co. Elektrische Bauelemente KG hereby confirms that it complies with all standard articles of the aforementioned Directive. Our products do not contain any of the specified prohibited substances above the maximum permitted concentrations specified therein, taking into account the exceptions in Annex III of Directive 2011/65/EU.

- Complies with RoHS III without exception

Please refer any questions to our Product Compliance Team:

Product-Compliance@binder-connector.de

## MANUFACTURER'S DECLARATION

For part no.: 99 6501 000 08

09/12/2020

with regard to

### Declaration of compliance with China RoHS – Components

We herewith declare the compliance of this product with the Chinese marking requirements. This product can be recycled and used safely during its environmentally friendly use period of 50 years. These articles will be sold as components only for manufacturing. According to the Electronic Industry Standard SJ/T 11364-2014 it needs not to be marked with Environmentally Friendly Use Period (EFUP) label. This product should be recycled after its environmental protection use period has expired because it may contain substances or elements as shown in the following table:

Part Name	Hazardous Substance					
	Lead (Pb)	Mercury (Hg)	Cadmium (Cd)	Hexavalent Chromium (Cr(VI))	Polybrominated biphenyls (PBB)	Polybrominated diphenyl ethers (PBDE)
Connectors	O	O	O	O	O	O

This table is prepared in accordance with the provisions of SJ/T 11364.

O: Indicates that said hazardous substance contained in all of the homogeneous materials for this part is below the limit requirement of GB/T 26572

X: Indicates that said hazardous substance contained in at least one of the homogeneous materials used for this part is above the limit requirement of GB/T 26572

The table shows where these substances may be found in this Electrical and Electronic Product.

Please refer any questions to our Product Compliance Team:

Product-Compliance@binder-connector.de

## EU DECLARATION OF CONFORMITY

Manufacturer	Franz Binder GmbH & Co. Elektrische Bauelemente KG Rötelsstraße 27 D-74172 Neckarsulm
Order number	99 6501 000 08
Product	Bajonett HEC male cable connector, Contacts: 4+3+PE, 7.0 - 17.0 mm, unshielded, crimp (Crimp contacts must be ordered separately), IP68/IP69K, UL, VDE
Series	Bajonett HEC series 696

This product complies with the requirements of the following European Directive:  
Directive 2014/35/EU of the European Parliament and of the council of 26 February 2014 on the harmonisation of the laws of the Member States relating to the making available on the market of electrical equipment designed for use within certain voltage limits (recast).

The following harmonized standards have been applied for conformity assessment:

EN 60204-1:2018;EN 60529:1991

References to standards apply to references to their amendments, if these amendments are listed to the respective directives in the Official Journal of the European Union.

This declaration of conformity is issued under the sole responsibility of the manufacturer.

Neckarsulm, 2017-09-20

Peter Schall

\_\_\_\_\_  
Peter Schall, vice president