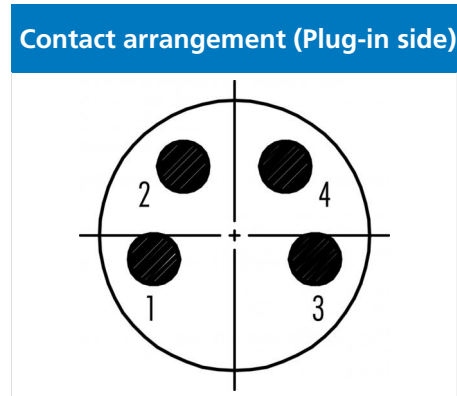
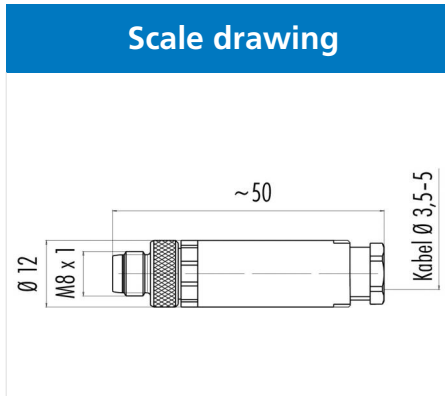


| | |
|---------------------|--|
| Product description | M8 male cable connector, Contacts: 4, 3.5 - 5.0 mm, unshielded, screw clamp, IP67, UL listed |
| Area | M8 series 768 |
| Order number | 99 3383 100 04 |



You can find the component part drawing and assembly instructions on the next page.

Technical data

General features

| | |
|---------------------------|---|
| Order number | 99 3383 100 04 |
| Connector design | male cable connector |
| Version | connector male straight |
| Connector locking system | screw |
| Termination | screw clamp |
| Degree of protection | IP67 |
| Cross-sectional area | 0.14 - 0.50 mm ² / AWG 26 - 20 |
| Cable outlet | 3.5 - 5.0 mm |
| Temperature range from/to | -40 °C / 85 °C |
| Mechanical operation | > 100 Mating cycles |
| Weight (g) | 9.012 |
| Customs tariff number | 85369010 |

Electrical parameters

| | |
|---------------------------|------------|
| Rated voltage | 60 V |
| Rated impulse voltage | 1500 V |
| Rated current (40 °C) | 4 A |
| Pollution degree | 3 |
| Overvoltage category | III |
| Insulating material group | II |
| EMC compliance | unshielded |

Material

| | |
|-----------------------|-----------------------------|
| Housing material | PBT (UL94 V-0) |
| Contact body material | PA66 (UL94HB) |
| Contact material | CuZn (brass) |
| Contact plating | Au (gold) |
| Locking material | CuZn (Brass nicke,l plated) |
| REACH SVHC | CAS 7439-92-1 (Lead) |

Authorization/approvals

| | |
|------------|-----------|
| Approval 1 | UL listed |
|------------|-----------|

Classifications

| | |
|-------------|-------------|
| eCl@ss 11.1 | 27-44-01-02 |
| ETIM 7.0 | EC002635 |

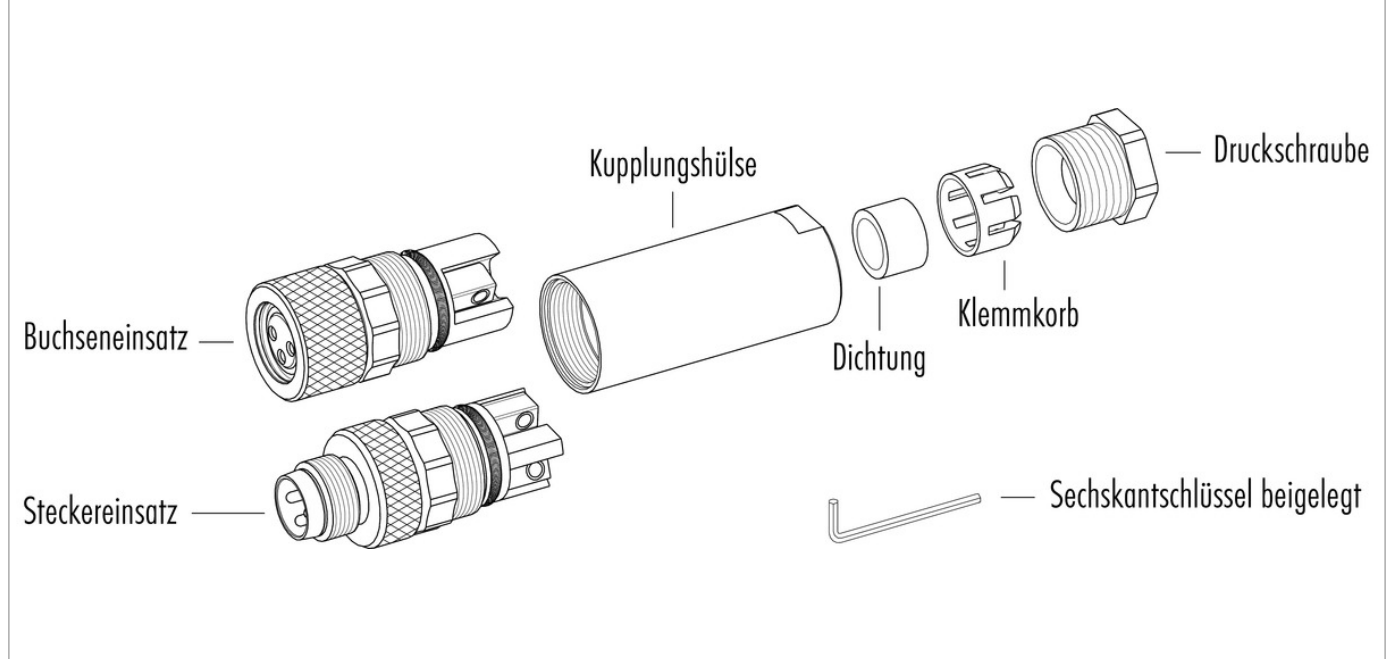
Declarations of conformity

| | |
|-----------------------|--|
| Low Voltage Directive | 2014/35/EU (EN 60204-1:2018;EN 60529:1991) |
|-----------------------|--|

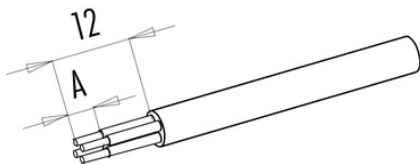
Product description M8 male cable connector, Contacts: 4, 3.5 - 5.0 mm, unshielded, screw clamp, IP67, UL listed

Area M8 series 768
Order number 99 3383 100 04

Component part drawing



Assembly instructions / Panel cut-out



| | screw connection | solder version |
|--------------|------------------|----------------|
| measure A/mm | 4 | 3 |

| | |
|---------------------|---|
| Product description | M8 male cable connector, Contacts: 4, 3.5 - 5.0 mm, unshielded, screw clamp, IP67, UL listed |
| Area | M8 series 768 |
| Order number | 99 3383 100 04 |

Security notices

The connectors have been developed for applications in plant engineering, control and electrical equipment construction. The user is responsible for checking whether the connectors can also be used in other areas of application.

Plug connectors with enclosure protection IP 67 and IP 68 are not suitable for use under water. When used outdoors, the plug connectors must be protected separately against corrosion. For further information on the IP protection classes, please refer to the "Technical Information" download centre. To lock the cable connector with the device connector, the threaded ring is tightened "hand-tight" (approx. 50 cNm).