

Product description	M8 male cable connector, Contacts: 4, 4.0 - 5.5 mm, shieldable, screw clamp, IP67, UL listed
Area	M8 series 768
Order number	99 3363 100 04

Illustration	Scale drawing	Contact arrangement (Plug-in side)

You can find the component part drawing and assembly instructions on the next page.

Technical data

General features

Order number	99 3363 100 04
Connector design	male cable connector
Version	connector male straight
Connector locking system	screw
Termination	screw clamp
Degree of protection	IP67
Cross-sectional area	0.14 - 0.50 mm ² / AWG 26 - 20
Cable outlet	4.0 - 5.5 mm
Temperature range from/to	-40 °C / 85 °C
Mechanical operation	> 100 Mating cycles
Weight (g)	29.308
Customs tariff number	85369010

Electrical parameters

Rated voltage	60 V
Rated impulse voltage	1500 V
Rated current (40 °C)	4 A
Pollution degree	3
Overvoltage category	III
Insulating material group	II
EMC compliance	shieldable
Shield connection	Iris spring

Material

Housing material	CuZn (Brass nickel plated)
Contact body material	PA66 (UL94HB)
Contact material	CuZn (brass)
Contact plating	Au (gold)
Locking material	CuZn (Brass nickel plated)
REACH SVHC	CAS 7439-92-1 (Lead)

Authorization/approvals

Approval 1	UL listed
------------	-----------

Classifications

eCl@ss 11.1	27-44-01-02
ETIM 7.0	EC002635

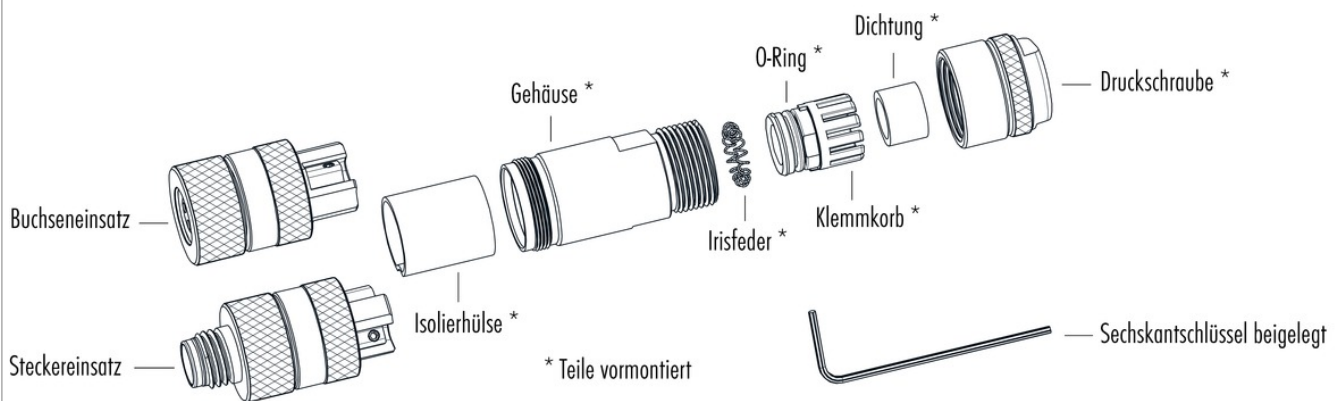
Declarations of conformity

Low Voltage Directive	2014/35/EU (EN 60204-1:2018;EN 60529:1991)
-----------------------	--

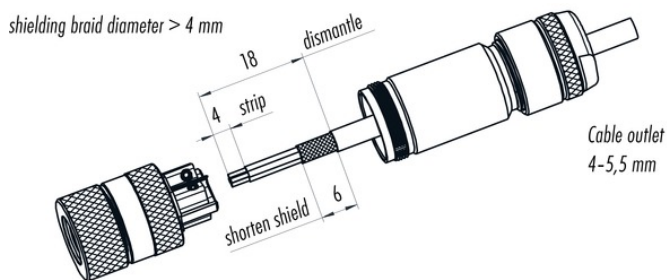
Product description **M8 male cable connector, Contacts: 4, 4.0 - 5.5 mm, shieldable, screw clamp, IP67, UL listed**

Area **M8 series 768**
Order number **99 3363 100 04**

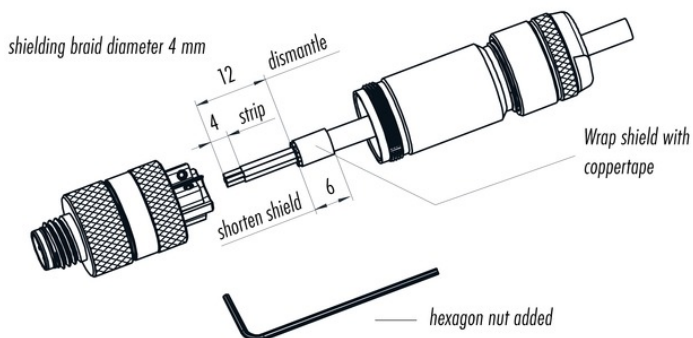
Component part drawing



Assembly instructions / Panel cut-out



1. Bead housing to cable.
2. Strip cable, shorten shielding braid.
3. Connect single wires.
4. Screw housing to either male or female contact carrier and tighten pressing screw.



1. Bead housing to cable.
2. Strip cable, shorten shielding braid, place it over cable coating and wrap it with copper tape.
3. Connect single wires.
4. Screw housing to either male or female contact carrier and tighten pressing screw.

Product description	M8 male cable connector, Contacts: 4, 4.0 - 5.5 mm, shieldable, screw clamp, IP67, UL listed
Area	M8 series 768
Order number	99 3363 100 04

Security notices

The connectors have been developed for applications in plant engineering, control and electrical equipment construction. The user is responsible for checking whether the connectors can also be used in other areas of application.

Plug connectors with enclosure protection IP 67 and IP 68 are not suitable for use under water. When used outdoors, the plug connectors must be protected separately against corrosion. For further information on the IP protection classes, please refer to the "Technical Information" download centre. To lock the cable connector with the device connector, the threaded ring is tightened "hand-tight" (approx. 50 cNm).