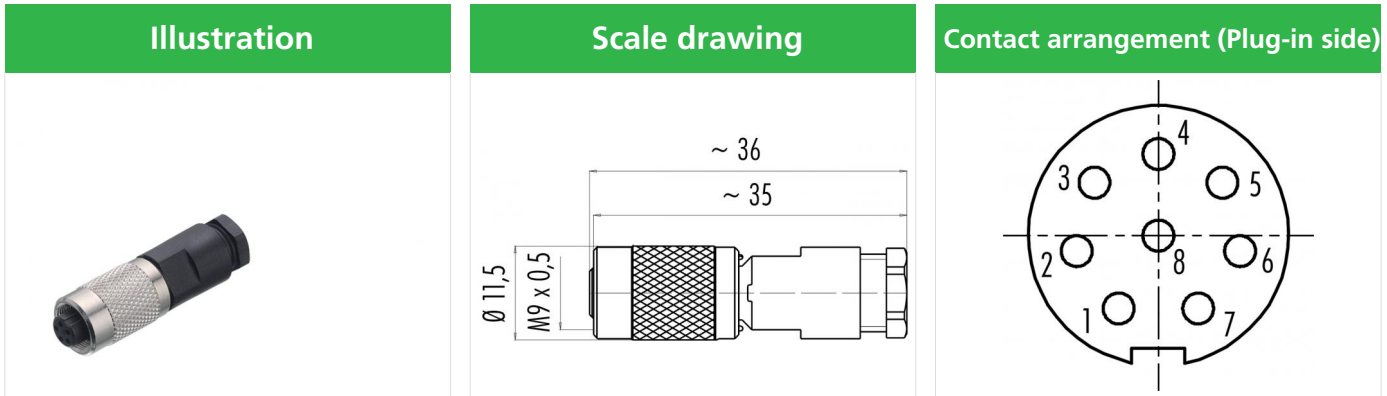


Product description	M9 IP67 female cable connector, Contacts: 8, 3.5 - 5.0 mm, unshielded, solder, IP67
Area	M9 IP67 series 712
Order number	99 0426 00 08



You can find the component part drawing on the next page.

## Technical data

### General features

Order number	99 0426 00 08
Connector design	female cable connector
Version	connector female straight
Connector locking system	screw
Termination	solder
Degree of protection	IP67
Cross-sectional area	max. 0.14 mm <sup>2</sup> / max. AWG 26
Cable outlet	3.5 - 5.0 mm
Temperature range from/to	-40 °C / 85 °C
Mechanical operation	> 500 Mating cycles
Weight (g)	7.358
Customs tariff number	85369010

### Electrical parameters

Rated voltage	125 V
Rated impulse voltage	1500 V
Rated current (40 °C)	1 A
Insulation resistance	$\geq 10^{10} \Omega$
Pollution degree	I
Overvoltage category	II
Insulating material group	III
EMC compliance	unshielded

### Material

Housing material	PA/CuZn (Nickel-plated brass)
Contact body material	PA (UL94 V-0)
Contact material	CuSn (bronze)
Contact plating	Au (gold)
Locking material	CuZn (Brass nickel plated)
REACH SVHC	CAS 7439-92-1 (Lead)

### Classifications

eCl@ss 11.1	27-44-01-02
ETIM 7.0	EC002635

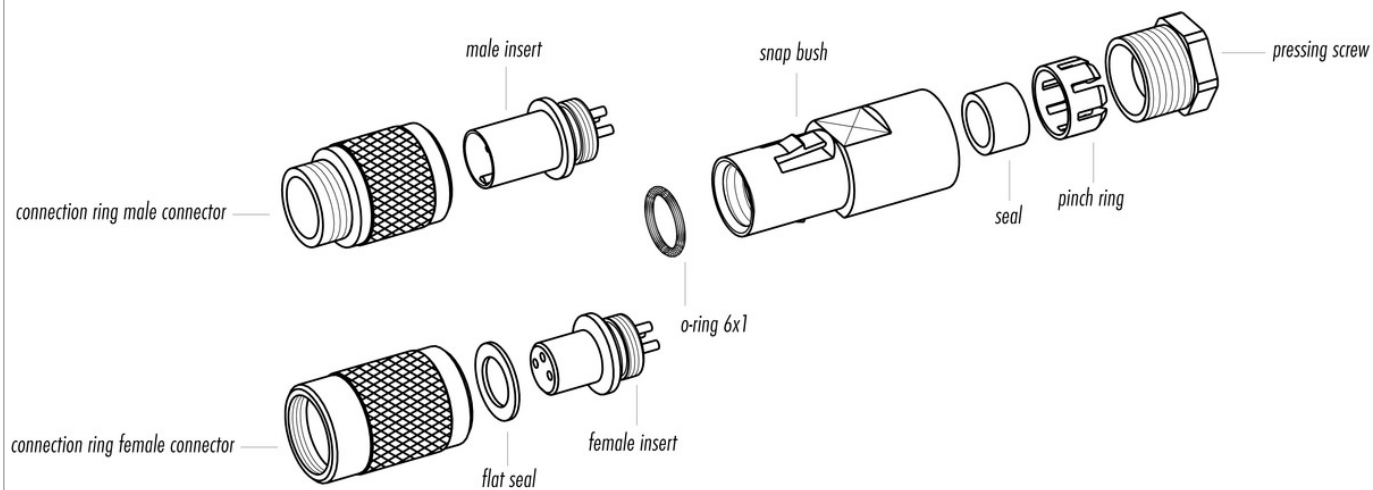
### Declarations of conformity

Low Voltage Directive	2014/35/EU (EN 60204-1:2018; EN 60529:1991)
-----------------------	---

Product description M9 IP67 female cable connector, Contacts: 8, 3.5 - 5.0 mm, unshielded, solder, IP67

Area M9 IP67 series 712  
Order number 99 0426 00 08

### Component part drawing



Product description	M9 IP67 female cable connector, Contacts: 8, 3.5 - 5.0 mm, unshielded, solder, IP67
Area	M9 IP67 series 712
Order number	99 0426 00 08

## Security notices

The connector must not be plugged or unplugged under load. Non-observance and improper use can result in personal injury.

The connectors have been developed for applications in plant engineering, control and electrical equipment construction. The user is responsible for checking whether the connectors can also be used in other areas of application.

Connectors which are used in circuits with voltages dangerous to the touch may only be installed and used by, or under the supervision of, persons with electrical engineering training, taking into account the applicable regulations and standards.

Plug connectors with enclosure protection IP 67 and IP 68 are not suitable for use under water. When used outdoors, the plug connectors must be protected separately against corrosion. For further information on the IP protection classes, please refer to the "Technical Information" download centre. To lock the cable connector with the device connector, the threaded ring is tightened "hand-tight" (approx. 50 cNm).