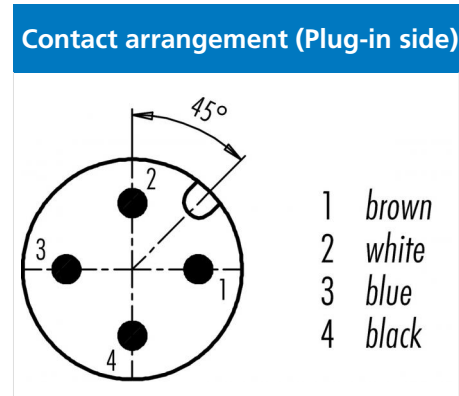
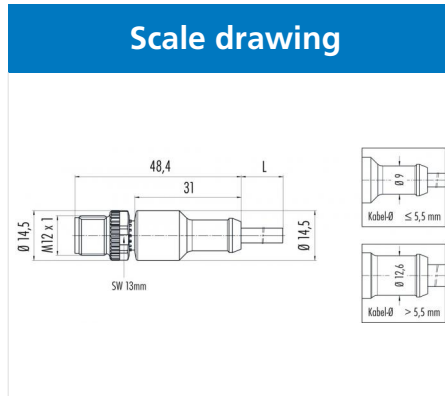


Product description	M12-A male cable connector, Contacts: 4, unshielded, moulded on cable, IP68, UL listed, PVC grey, 4 x 0.34 mm ²
Area	M12-A series 763
Order number	77 3429 0000 20004-0200



Technical data

General features

Order number	77 3429 0000 20004-0200
Notice	Please note that, due to the change from the old to the new order number, there may be deviations in the technical specifications. For questions about product details, please use the 'Contact Customer Service' form on the right.
Connector design	male cable connector
Cable length	2 m
Version	connector male straight
Connector locking system	screw
Termination	moulded on cable
Degree of protection	IP68
Cross-sectional area	0.34 mm ² / AWG 22
Temperature range from/to	-25 °C / 90 °C
Mechanical operation	> 100 Mating cycles
Weight (g)	84
Customs tariff number	85444290

Electrical parameters

Rated voltage	250 V
Rated impulse voltage	2500 V
Rated current (40 °C)	4 A
Insulation resistance	≥ 10 ¹⁰ Ω
Pollution degree	3
Overvoltage category	II
Insulating material group	II
EMC compliance	unshielded

Material

Housing material	PUR
Contact body material	PUR
Contact material	CuZn (brass)
Contact plating	Au (gold)
Locking material	Zinc die-cast nickel-plated

Authorization/approvals

Approval 1	UL listed
------------	-----------

Classifications

eCl@ss 11.1	27-06-03-11
ETIM 7.0	EC001855

Declarations of conformity

Low Voltage Directive	2014/35/EU (EN 60529:1991;EN 60204-1:2018)
RoHS Directive	2011/65/EU (EN 50581:2012)

Product description	M12-A male cable connector, Contacts: 4, unshielded, moulded on cable, IP68, UL listed, PVC grey, 4 x 0.34 mm ²
Area	M12-A series 763
Order number	77 3429 0000 20004-0200

Technical data

Cable data

Cable diameter	4.8 mm
Sheath material	PVC
Single-lead insulation	PVC
Single-lead structure	42x0.1 mm
Cable color	grey
Conductor resistance	57
Bending radius, fixed cable	≥ 5 x Ø
Bending radius, moving cable	≥ 10 x Ø
Bending cycles	>2Mio.
Permitted acceleration	max. 5 m/s ² +1 m/s ²
Travel distance, horizontal	5 m/sec ² -> 5m
Travel distance, vertical	5 m/sec ² -> 2m
Travel speed	≤ 200 m/min (5 m horizontal distance)
Temperature range cable in move from/to	-5°C / +105°C
Temperature range cable fixed from/to	-40°C / +105°C
Halogen free	No

Product description	M12-A male cable connector, Contacts: 4, unshielded, moulded on cable, IP68, UL listed, PVC grey, 4 x 0.34 mm ²
Area	M12-A series 763
Order number	77 3429 0000 20004-0200

Security notices

The connector must not be plugged or unplugged under load. Non-observance and improper use can result in personal injury.

The connectors have been developed for applications in plant engineering, control and electrical equipment construction. The user is responsible for checking whether the connectors can also be used in other areas of application.

Plug connectors with enclosure protection IP 67 and IP 68 are not suitable for use under water. When used outdoors, the plug connectors must be protected separately against corrosion. For further information on the IP protection classes, please refer to the "Technical Information" download centre. To lock the cable connector with the device connector, the threaded ring is tightened "hand-tight" (approx. 60 cNm).