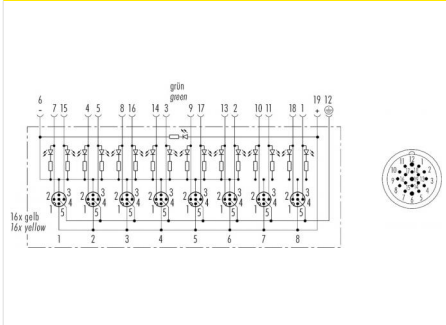


Product description	M12-A distributor box, Contacts: 5, unshielded, pluggable M23, IP67
Area	M12-A series 772
Order number	72 6315 200 08

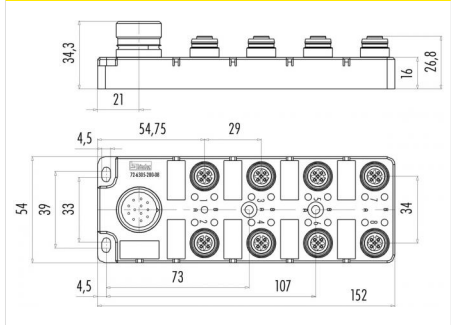
Illustration



Cable design



Scale drawing



Technical data

General features

Order number	72 6315 200 08
Connector design	distributor box
Version	distributor
Connector locking system	M12x1 Push-Pull
Termination	pluggable M23
Degree of protection	IP67
Cross-sectional area	E/A's 0.34 / supply 3x0.75 mm ² / E/A's 22 / supply 3x20
Temperature range from/to	-25 °C / 80 °C
Weight (g)	279
Customs tariff number	85369010

Electrical parameters

Rated voltage	10 - 30 V DC V
Rated impulse voltage	500 V
Rated current (40 °C)	2 A (per contact) / 9 A max.
Insulation resistance	≥ 10 ¹⁰ Ω
Pollution degree	3
EMC compliance	unshielded

Material

Contact body material	PBT (UL94 V-0)
Contact material	CuZn (brass)
Contact plating	Au (gold)

Classifications

eCl@ss 11.1	27-06-03-11
ETIM 7.0	EC001855

Product description	M12-A distributor box, Contacts: 5, unshielded, pluggable M23, IP67
Area	M12-A series 772
Order number	72 6315 200 08

Security notices

The connectors have been developed for applications in plant engineering, control and electrical equipment construction. The user is responsible for checking whether the connectors can also be used in other areas of application.

Plug connectors with enclosure protection IP 67 and IP 68 are not suitable for use under water. When used outdoors, the plug connectors must be protected separately against corrosion. For further information on the IP protection classes, please refer to the "Technical Information" download centre.