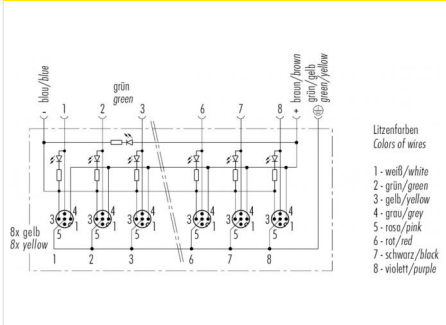


Product description	M12-A distributor box, Contacts: 5/4, unshielded, moulded on cable, IP67
Area	M12-A series 772
Order number	72 6302 250 08

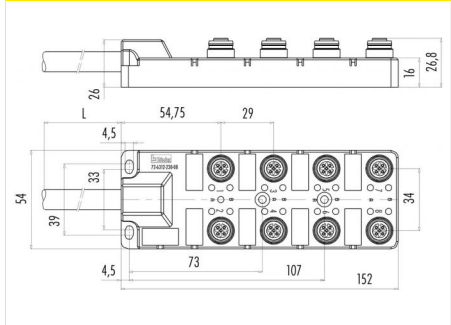
**Illustration**



**Cable design**



**Scale drawing**



**Technical data**

**General features**

Order number	72 6302 250 08
Connector design	distributor box
Cable length	5 m
Version	distributor
Connector locking system	M12x1 Push-Pull
Termination	moulded on cable
Degree of protection	IP67
Cross-sectional area	E/A's 0.34 / supply 3x0.75 mm <sup>2</sup> / E/A's 22 / supply 3x20
Temperature range from/to	-25 °C / 80 °C
Weight (g)	300
Customs tariff number	85444290

**Cable data**

Sheath material	PUR
Halogen free	Yes

**Electrical parameters**

Rated voltage	10 - 30 V DC V
Rated impulse voltage	500 V
Rated current (40 °C)	2 A (per contact) / 9 A max.
Insulation resistance	≥ 10 <sup>10</sup> Ω
Pollution degree	3
EMC compliance	unshielded

**Material**

Contact body material	PBT (UL94 V-0)
Contact material	CuZn (brass)
Contact plating	Au (gold)

**Classifications**

eCl@ss 11.1	27-06-03-11
ETIM 7.0	EC001855

Product description	M12-A distributor box, Contacts: 5/4, unshielded, moulded on cable, IP67
Area	M12-A series 772
Order number	72 6302 250 08

## Security notices

The connectors have been developed for applications in plant engineering, control and electrical equipment construction. The user is responsible for checking whether the connectors can also be used in other areas of application.

Plug connectors with enclosure protection IP 67 and IP 68 are not suitable for use under water. When used outdoors, the plug connectors must be protected separately against corrosion. For further information on the IP protection classes, please refer to the "Technical Information" download centre.