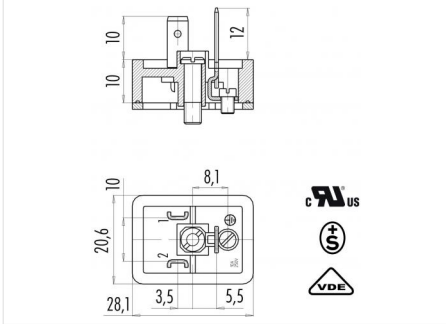


Product description	Size B (DIN EN 175301-803) male connector (panel mount), Contacts: 2+PE, unshielded, solder, IP40 without seal, UL, ESTI+, VDE
Area	Size B (DIN EN 175301-803) series 220
Order number	43 1801 000 03

Illustration



Scale drawing



Technical data

General features

Order number	43 1801 000 03
Connector design	male connector (panel mount)
Version	connector male straight
Connector locking system	central bolt
Termination	solder
Degree of protection	IP40 without seal IP65 with seal, see accessories
Cross-sectional area	1.00 mm ² / AWG 17
Temperature range from/to	-25 °C / 100 °C
Mechanical operation	> 50 Mating cycles
Weight (g)	7.481
Customs tariff number	85369010

Authorization/approvals

Approval 1	UL
Approval 2	ESTI+
Approval 3	VDE

Classifications

eCl@ss 11.1	27-06-03-11
ETIM 7.0	EC001855

Electrical parameters

Rated voltage	250 V
Rated impulse voltage	4000 V
Rated current (40 °C)	10 A
Insulation resistance	≥ 10 ¹⁰ Ω
Pollution degree	3
Overvoltage category	III
Insulating material group	III
EMC compliance	unshielded

Material

Contact body material	PA (UL94 HB)
Contact material	CuZn (brass)
Contact plating	Sn (tin)
REACH SVHC	CAS 7439-92-1 (Lead)

Product description	Size B (DIN EN 175301-803) male connector (panel mount), Contacts: 2+PE, unshielded, solder, IP40 without seal, UL, ESTI+, VDE
Area Order number	Size B (DIN EN 175301-803) series 220 43 1801 000 03

Security notices

The connector must not be plugged or unplugged under load. Non-observance and improper use can result in personal injury.

The connectors have been developed for applications in plant engineering, control and electrical equipment construction. The user is responsible for checking whether the connectors can also be used in other areas of application.

Connectors which are used in circuits with voltages dangerous to the touch may only be installed and used by, or under the supervision of, persons with electrical engineering training, taking into account the applicable regulations and standards.

Plug connectors with enclosure protection IP 67 and IP 68 are not suitable for use under water. When used outdoors, the plug connectors must be protected separately against corrosion. For further information on the IP protection classes, please refer to the "Technical Information" download centre.