

Product description	M8 male panel mount connector, Contacts: 4, unshielded, single wires, IP67 (snap), UL, M8x0.5
Area	M8 series 718
Order number	76 6019 0111 00004-0200

Illustration	Scale drawing	Contact arrangement (Plug-in side)
		<ul style="list-style-type: none"> <li>1 brown</li> <li>2 white</li> <li>3 blue</li> <li>4 black</li> </ul>

You can find the assembly instructions on the next page.

## Technical data

### General features

Order number	76 6019 0111 00004-0200
Notice	Please note that, due to the change from the old to the new order number, there may be deviations in the technical specifications. For questions about product details, please use the 'Contact Customer Service' form on the right.
Connector design	male panel mount connector
Wire length	0,2 m
Version	connector male straight
Connector locking system	snap, screw
Termination	single wires
Degree of protection	IP67 (snap) IP67 (screw)
Cross-sectional area	0.25 mm <sup>2</sup> / AWG 24
Temperature range from/to	-40 °C / 85 °C
Mechanical operation	> 100 Mating cycles
Weight (g)	6.84
Customs tariff number	85369054

### Electrical parameters

Rated voltage	60 V
Rated impulse voltage	1500 V
Rated current (40 °C)	4 A
Pollution degree	3
Overvoltage category	II
Insulating material group	II
EMC compliance	unshielded

### Material

Housing material	CuZn (Brass nickel plated)
Contact body material	PA black
Contact material	CuZn (brass)
Contact plating	Au (gold)
REACH SVHC	CAS 80-05-7 (4,4'-isopropylidendiph enol)
	CAS 7439-92-1 (Lead)
	CAS 61788-32-7 (Terphenyl, hydrogenated)

### Authorization/approvals

Approval 1	UL
------------	----

### Classifications

eCl@ss 11.1	27-44-01-03
ETIM 7.0	EC003570

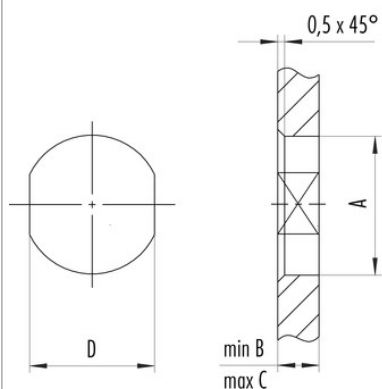
Product description **M8 male panel mount connector, Contacts: 4, unshielded, single wires, IP67 (snap), UL, M8x0.5**

Area **M8 series 718**  
 Order number **76 6019 0111 00004-0200**

Assembly instructions / Panel cut-out

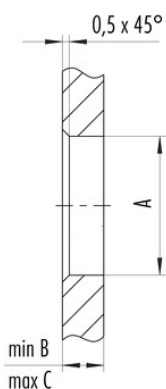
1. Einbauvorschlag

Mit Fläche als Verdrehschutz



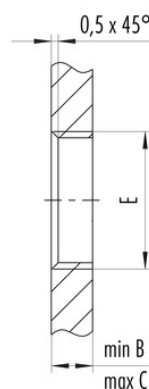
2. Einbauvorschlag

Mit Durchgangsbohrung



3. Einbauvorschlag

Mit Gewinde, einschraubbar



Gewinde E	A	B	C	D
M8 x 0,5	8,1	2,5	3,5	7,1
M8 x 1	8,1	2,5	3,5	7,1
M10 x 0,75	10,1	2,5	5,0	9,1

Anzugsdrehmoment 1 Nm

Product description	<b>M8 male panel mount connector, Contacts: 4, unshielded, single wires, IP67 (snap), UL, M8x0.5</b>
Area	<b>M8 series 718</b>
Order number	<b>76 6019 0111 00004-0200</b>

## Security notices

The connectors have been developed for applications in plant engineering, control and electrical equipment construction. The user is responsible for checking whether the connectors can also be used in other areas of application.

Plug connectors with enclosure protection IP 67 and IP 68 are not suitable for use under water. When used outdoors, the plug connectors must be protected separately against corrosion. For further information on the IP protection classes, please refer to the "Technical Information" download centre.