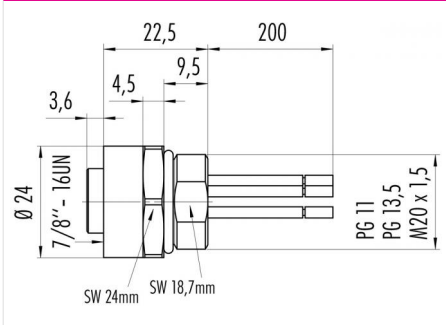


Product description	7/8" female panel mount connector, Contacts: 4, unshielded, single wires, IP68, UL, VDE, PG11
Area	7/8" series 870
Order number	09 2448 310 04

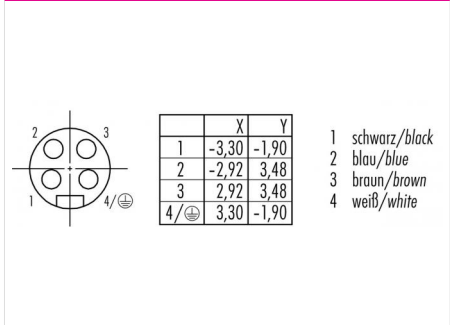
**Illustration**



**Scale drawing**



**Contact arrangement (Plug-in side)**



You can find the assembly instructions on the next page.

**Technical data**

**General features**

Order number	09 2448 310 04
Connector design	female panel mount connector
Version	connector female straight
Connector locking system	screw
Termination	single wires
Degree of protection	IP68
Cross-sectional area	0.75 mm <sup>2</sup> / AWG 18
Temperature range from/to	-25 °C / 85 °C
Mechanical operation	> 100 Mating cycles
Weight (g)	38.291
Customs tariff number	85369010

**Electrical parameters**

Rated voltage	300 (UL 600 V) V
Rated impulse voltage	4000 V
Rated current (40 °C)	7 A
Pollution degree	3
Overvoltage category	III
Insulating material group	I
EMC compliance	unshielded

**Material**

Housing material	CuZn (Brass nickel plated)
Contact body material	PUR
Contact material	CuZn (brass)
Contact plating	Au (gold)
REACH SVHC	CAS 7439-92-1 (Lead)

**Authorization/approvals**

Approval 1	UL
Approval 2	VDE

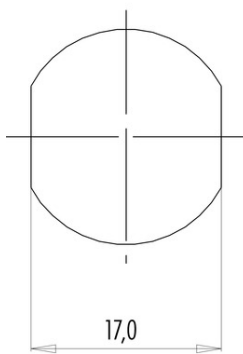
**Classifications**

eCl@ss 11.1	27-44-01-09
ETIM 7.0	EC003569

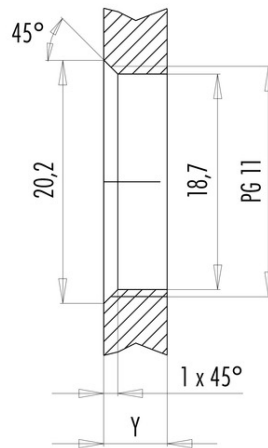
Product description      7/8" female panel mount connector, Contacts: 4, unshielded, single wires, IP68, UL, VDE, PG11  
 Area                              7/8" series 870  
 Order number                09 2448 310 04

Assembly instructions / Panel cut-out

With flats as anti-rotation device



With bore hole



Installation direction: o-ring sits on chamfer.

Tightening moment

Metall housing/Plastic housing      1,25 Nm

Thickness of wall Y (mm)		
Version	min (mm)	max (mm)
Fastened from rear	2	3,5
Front fastened	2	4,5
positioning possible <sup>1)</sup>	2	3,5
Screw clamp	2	3,5
Thread M12 x 1	2	3,0
Thread M14 x 1 <sup>2)</sup>	<sup>3)</sup> 1,5/ <sup>4)</sup> 2	6,5

Notes

- <sup>1)</sup> Do not attach a chamfer
- <sup>2)</sup> Wall thickness:  
use locknut 01-5385 up to 1,5 mm,  
>1,5 mm cut thread
- <sup>3)</sup> Nut
- <sup>4)</sup> Thread in wall of housing

Product description	7/8" female panel mount connector, Contacts: 4, unshielded, single wires, IP68, UL, VDE, PG11
Area	7/8" series 870
Order number	09 2448 310 04

## Security notices

The connector must not be plugged or unplugged under load. Non-observance and improper use can result in personal injury.

The connectors have been developed for applications in plant engineering, control and electrical equipment construction. The user is responsible for checking whether the connectors can also be used in other areas of application.

Plug connectors with enclosure protection IP 67 and IP 68 are not suitable for use under water. When used outdoors, the plug connectors must be protected separately against corrosion. For further information on the IP protection classes, please refer to the "Technical Information" download centre.