

Product description	M9 IP67 female panel mount connector, Contacts: 3, shieldable, dip-solder, IP67, front mounting
Area	M9 IP67 series 712
Order number	09 0408 30 03

<b>Illustration</b>	<b>Conductor layout</b>	<b>Scale drawing</b>

**Contact arrangement (Plug-in side)**

1 white

2 brown

3 black

You can find the assembly instructions on the next page.

## Technical data

### General features

Order number	09 0408 30 03
Connector design	female panel mount connector
Version	connector female straight
Connector locking system	screw
Termination	dip-solder
Degree of protection	IP67
Temperature range from/to	-40 °C / 85 °C
Mechanical operation	> 500 Mating cycles
Weight (g)	6.715
Customs tariff number	85369010

### Electrical parameters

Rated voltage	125 V
Rated impulse voltage	1500 V
Rated current (40 °C)	4 A
Insulation resistance	≥ 10 <sup>10</sup> Ω
Pollution degree	1
Overvoltage category	II
Insulating material group	III
EMC compliance	shieldable
Shield connection	Shielding plate

### Material

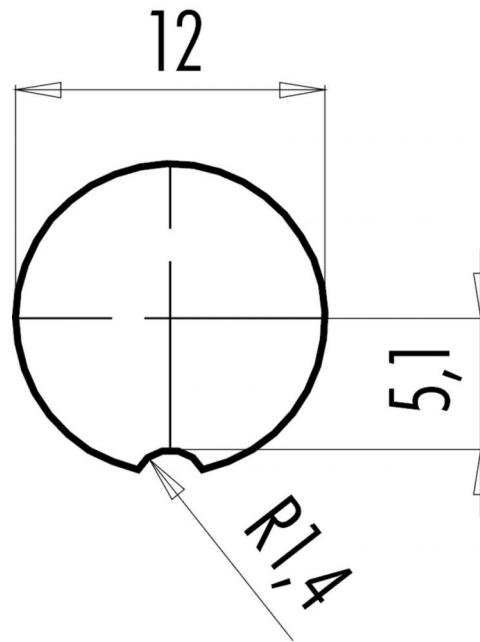
Contact body material	PA (UL94 V-0)
Contact material	CuSn (bronze)
Contact plating	Au (gold)
REACH SVHC	CAS 7439-92-1 (Lead)

### Classifications

eCl@ss 11.1	27-44-01-09
ETIM 7.0	EC003569

Product description	M9 IP67 female panel mount connector, Contacts: 3, shieldable, dip-solder, IP67, front mounting
Area	M9 IP67 series 712
Order number	09 0408 30 03

### Assembly instructions / Panel cut-out



Product description	<b>M9 IP67 female panel mount connector, Contacts: 3, shieldable, dip-solder, IP67, front mounting</b>
Area	<b>M9 IP67 series 712</b>
Order number	<b>09 0408 30 03</b>

## Security notices

The connector must not be plugged or unplugged under load. Non-observance and improper use can result in personal injury.

The connectors have been developed for applications in plant engineering, control and electrical equipment construction. The user is responsible for checking whether the connectors can also be used in other areas of application.

Plug connectors with enclosure protection IP 67 and IP 68 are not suitable for use under water. When used outdoors, the plug connectors must be protected separately against corrosion. For further information on the IP protection classes, please refer to the "Technical Information" download centre.