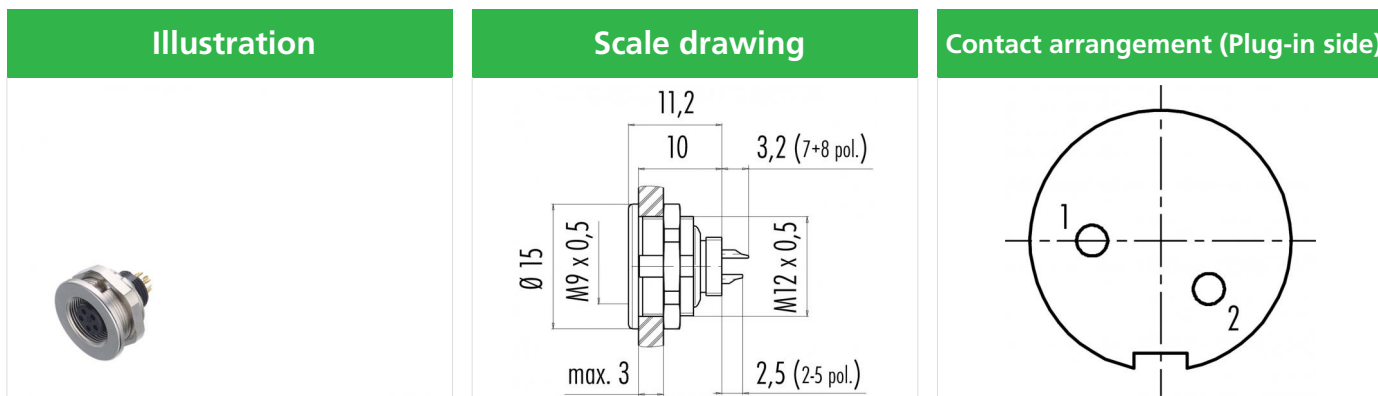


Product description **M9 IP67 female panel mount connector, Contacts: 2, unshielded, solder, IP67**
 Area **M9 IP67 series 712**
 Order number **09 0404 00 02**



You can find the assembly instructions on the next page.

Technical data

General features

Order number	09 0404 00 02
Connector design	female panel mount connector connector female straight screw solder
Version	IP67
Connector locking system	0.25 mm ² / AWG 24
Termination	-40 °C / 85 °C
Degree of protection	> 500 Mating cycles
Cross-sectional area	4.996
Temperature range from/to	85369010
Mechanical operation	
Weight (g)	
Customs tariff number	

Classifications

eCl@ss 11.1	27-44-01-09
ETIM 7.0	EC003569

Electrical parameters

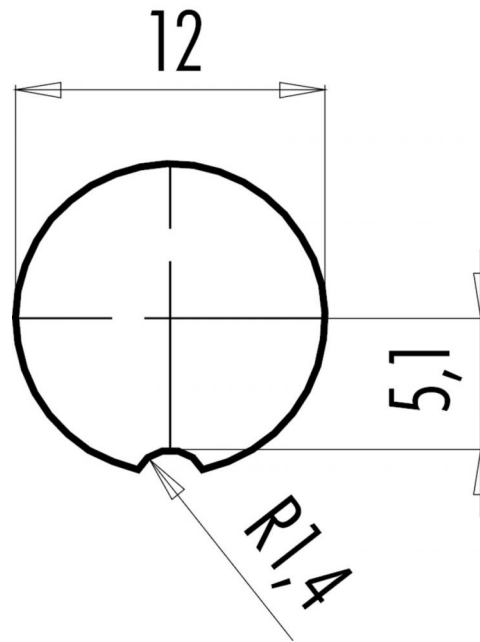
Rated voltage	125 V
Rated impulse voltage	1500 V
Rated current (40 °C)	4 A
Insulation resistance	≥ 10 ¹⁰ Ω
Pollution degree	1
Overvoltage category	II
Insulating material group	III
EMC compliance	unshielded

Material

Contact body material	PA (UL94 V-0)
Contact material	CuSn (bronze)
Contact plating	Au (gold)
REACH SVHC	CAS 7439-92-1 (Lead)

Product description	M9 IP67 female panel mount connector, Contacts: 2, unshielded, solder, IP67
Area	M9 IP67 series 712
Order number	09 0404 00 02

Assembly instructions / Panel cut-out



Product description	M9 IP67 female panel mount connector, Contacts: 2, unshielded, solder, IP67
Area	M9 IP67 series 712
Order number	09 0404 00 02

Security notices

The connector must not be plugged or unplugged under load. Non-observance and improper use can result in personal injury.

The connectors have been developed for applications in plant engineering, control and electrical equipment construction. The user is responsible for checking whether the connectors can also be used in other areas of application.

Plug connectors with enclosure protection IP 67 and IP 68 are not suitable for use under water. When used outdoors, the plug connectors must be protected separately against corrosion. For further information on the IP protection classes, please refer to the "Technical Information" download centre.