

Product description	M16 IP40 female panel mount connector, Contacts: 7, unshielded, solder, IP40
Area	M16 IP40 series 680
Order number	09 0328 00 07

Illustration	Scale drawing	Contact arrangement (Plug-in side)

You can find the assembly instructions on the next page.

## Technical data

### General features

Order number	09 0328 00 07
Connector design	female panel mount connector
Version	connector female straight screw
Connector locking system	solder
Termination	IP40
Degree of protection	0.75 mm <sup>2</sup> / AWG 18
Cross-sectional area	-40 °C / 85 °C
Temperature range from/to	> 500 Mating cycles
Mechanical operation	9.674
Weight (g)	85369010
Customs tariff number	

### Material

Housing material	Zinc die-cast nickel-plated
Contact body material	PBT (UL94 V-0)
Contact material	CuSn (bronze)
Contact plating	Ag (silver)
REACH SVHC	CAS 7439-92-1 (Lead)

### Classifications

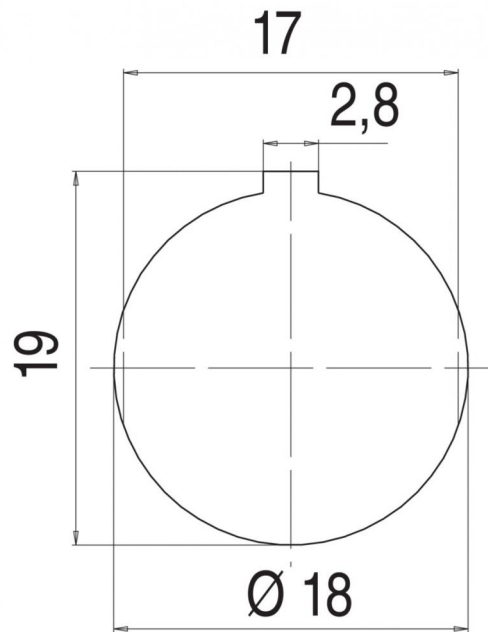
eCl@ss 11.1	27-44-01-09
ETIM 7.0	EC003569

### Electrical parameters

Rated voltage	125 V
Rated impulse voltage	800 V
Rated current (40 °C)	5 A
Insulation resistance	≥ 10 <sup>10</sup> Ω
Pollution degree	1
Overvoltage category	I
Insulating material group	III
EMC compliance	unshielded

Product description	M16 IP40 female panel mount connector, Contacts: 7, unshielded, solder, IP40
Area	M16 IP40 series 680
Order number	09 0328 00 07

Assembly instructions / Panel cut-out



Product description	<b>M16 IP40 female panel mount connector, Contacts: 7, unshielded, solder, IP40</b>
Area	<b>M16 IP40 series 680</b>
Order number	<b>09 0328 00 07</b>

## Security notices

The connector must not be plugged or unplugged under load. Non-observance and improper use can result in personal injury.

The connectors have been developed for applications in plant engineering, control and electrical equipment construction. The user is responsible for checking whether the connectors can also be used in other areas of application.

To protect against unintentional opening of the connector, the thread between the housing and the connector head must be secured with a suitable cyanoacrylate adhesive when used in circuits with voltages dangerous to the touch. This does not apply to connectors used in SELV and PELV circuits according to IEC 61140 (EN 61140, VDE 0140-1).